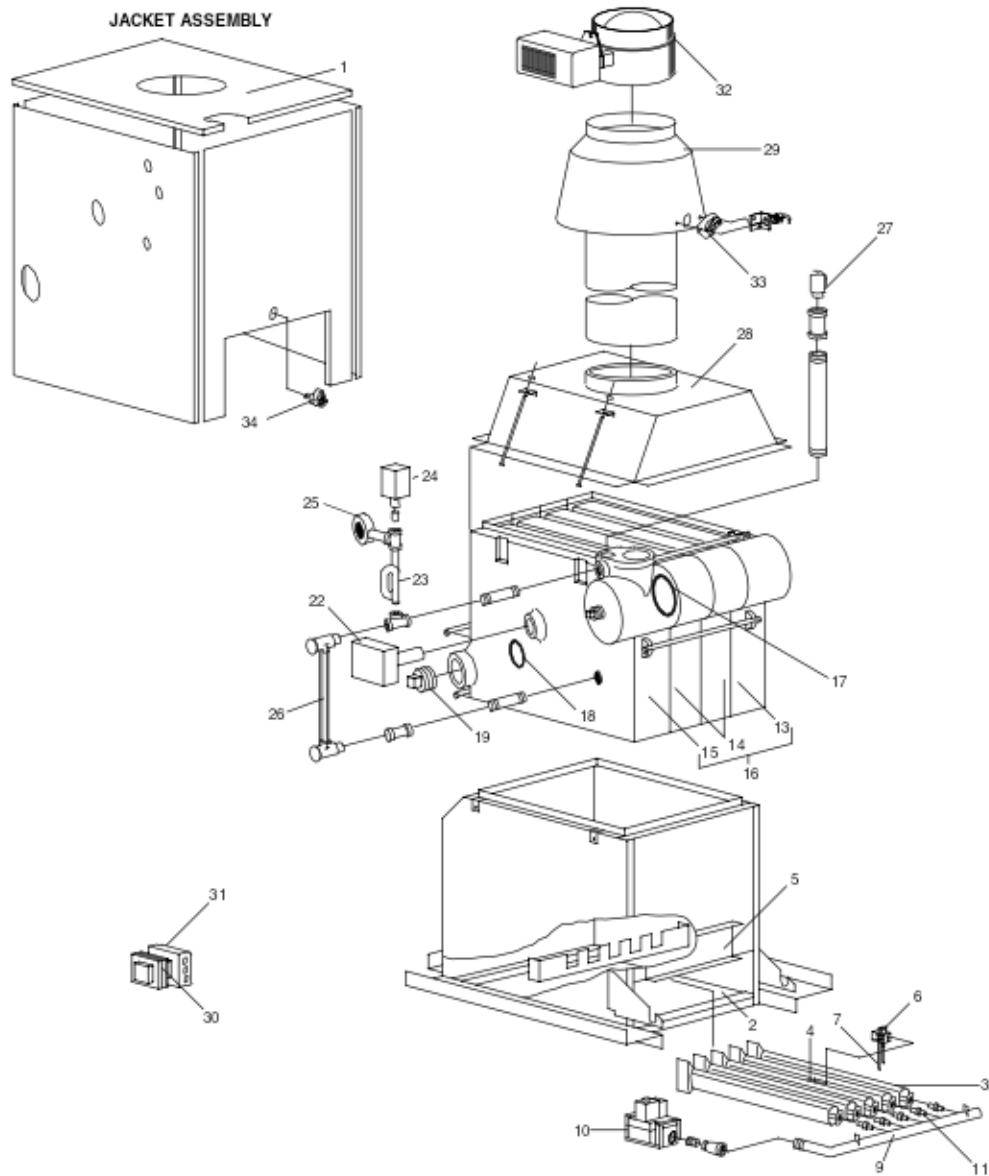


PARTS FOR DISCONTINUED BOILERS

GB250 Series



GB250 SERIES REPLACEMENT PARTS

Ref #	Name of Part	Part No.	Number of Sections					
			5L	5H	6	7	8	9
1	Jacket - Complete	59226	1	1				
	Jacket - Complete	59227			1			
	Jacket - Complete	59228				1		
	Jacket - Complete	59229					1	
	Jacket - Complete	59230						1
2	Base Pan	59058	1	1				
	Base Pan	59059			1			
	Base Pan	59060				1		
	Base Pan	59061					1	
	Base Pan	59062						1
3	Burner - N.G./L.P. with Shutter	59089	4	4	5	7	8	9
4	Burner w/Pilot Bracket - N.G./L.P. with Shutter	59091	1	1	1	1	1	1

PARTS FOR DISCONTINUED BOILERS

GB250 Series

GB250 SERIES REPLACEMENT PARTS

Ref #	Name of Part	Part No.	Number of Sections					
			5L	5H	6	7	8	9
5	Base Door	59094	1	1				
	Base Door	59095			1			
	Base Door	59096				1		
	Base Door	59097					1	
	Base Door	59098						1
NS	Base Assembly (Less Manifold and Burners)	72471	1	1				
		72472			1			
		72473				1		
		72474					1	
		72475						1
9	Manifold	63276	1	1				
	Manifold	63277			1			
	Manifold	63278				1		
	Manifold	59125					1	
	Manifold	59126						1
11	Burner Orifice - No. 31 (N.G.)	59141			6			
	Burner Orifice - No. 32 (N.G.)	59142		5			9	10
	Burner Orifice - No. 33 (N.G.)	59143				8		
	Burner Orifice - No. 34 (N.G.)	59144	5					
	Burner Orifice - No. 52 (L.P.)	59150	5	5	6	8	9	10
13	Section, Rear (Serial Number required)	3672	1	1	1	1	1	1
14	Section, Intermediate (Serial Number required)	3671	3	3	4	5	6	7
15	Section, Front (Serial Number required)	3670	1	1	1	1	1	1
16	Heat Exchanger/Assembled Block	72403	1	1				
	Heat Exchanger/Assembled Block	72404			1			
	Heat Exchanger/Assembled Block	72405				1		
	Heat Exchanger/Assembled Block	72406					1	
	Heat Exchanger/Assembled Block	72407						1
17	Port Seal - 5"	60306	4	4	5	6	7	8
18	Port Seal - 2"	59168	4	4	5	6	7	8
19	Pipe Plug 2" Sq. Hd.	61547	1	1	1	1	1	1
22	Low Water Cut-Off (CG400)	50090	1	1	1	1	1	1
23	Pigtail - 1/4" (CG400)	61684	1	1	1	1	1	1
24	Pressuretrol (PA404A)	50493	1	1	1	1	2	2
25	Press. Gauge (0-30 P.S.I.)	60268	1	1	1	1	1	1
26	Water Gauge	59199	1	1	1	1	1	1
27	Pressure Relief Valve - 15 P.S.I.	61980	1	1	1	1	1	
	Pressure Relief Valve - 15 P.S.I.	61981						1
28	Flue Collector	59204	1	1				
	Flue Collector	59205			1			
	Flue Collector	59206				1		
	Flue Collector	59207					1	
	Flue Collector	59208						1
29	Draft Hood - 7" For Spill Switch	59216	1	1				
	Draft Hood - 8" For Spill Switch	59217			1			
	Draft Hood - 8"	59218				1		
	Draft Hood - 9"	59219					1	1
30	Transformer 43 VA	50172	1	1	1	1	1	1
31	Junction Box - 4" x 4"	60116	1	1	1	1	1	1
-	Silicone Sealant 11 oz. For Smoke HD	40440						
-	3/8" Fiberglass Rope - Block to Base Seal	60024	6'	6'	6'	7'	8'	8'

PARTS FOR DISCONTINUED BOILERS

GB250 Series

GB250 SERIES REPLACEMENT PARTS

Ref #	Name of Part	Part No.	Number of Sections					
			5L	5H	6	7	8	9
32	Vent Damper - 7" w/Harness Ass'y	69427	1	1				
	Vent Damper - 8" w/Harness Ass'y	69428			1	1		
	Vent Damper - 9" w/Harness Ass'y	69429					1	1
-	Cable Bracket	59270	1	1	1	1	1	1
33	Manual Reset Spill Switch 300° see Grainger P/N 6UEDO	NLA	1	1	1			
34	Rollout Switch 350° see Grainger P/N 6UED1	NLA	1	1	1			
-	Silicone Sealant (sections)	61924						
Standing Pilot								
6	Pilot Assy N.G. - Q314A-3679*	72366	1	1				
	Pilot Assy N.G. - Q314A-3679*	70004			1			
	Pilot Assy N.G. - Q314A-3679*	72367				1		
	Pilot Assy N.G. - Q314A-3679*	72368					1	
	Pilot Assy N.G. - Q314A-3679*	72369						1
7	Thermocouple K16RA-36D	51006	1	1	1			
	Thermocouple K16RA-48D	59111				1	1	1
10	Gas Valve - N.G. VR8300C-4043	59131	1	1	1	1		
	Gas Valve - N.G. WR36C53-418	59132					1	1
	Gas Valve - L.P. VR8300C-4035	59133	1	1	1	1	1	1
Honeywell Intermittent Pilot System								
6	Pilot Assy N.G. - Q3451B-1103*	72354	1	1				
	Pilot Assy N.G. - Q3451B-1103*	70003			1			
	Pilot Assy N.G. - Q3451B-1103*	72355				1		
	Pilot Assy N.G. - Q3451B-1103*	72356					1	
	Pilot Assy N.G. - Q3451B-1103*	72357						1
10	Gas Valve - N.G. VR8304P-4322	59136	1	1	1	1	1	1
	Gas Valve - L.P. VR8304P-4330	59138	1	1	1	1	1	1
-	Ignition Control S8600M	51177	1	1	1	1	1	1

*For LP also order p/n 61015 LP orifice - \$4.50