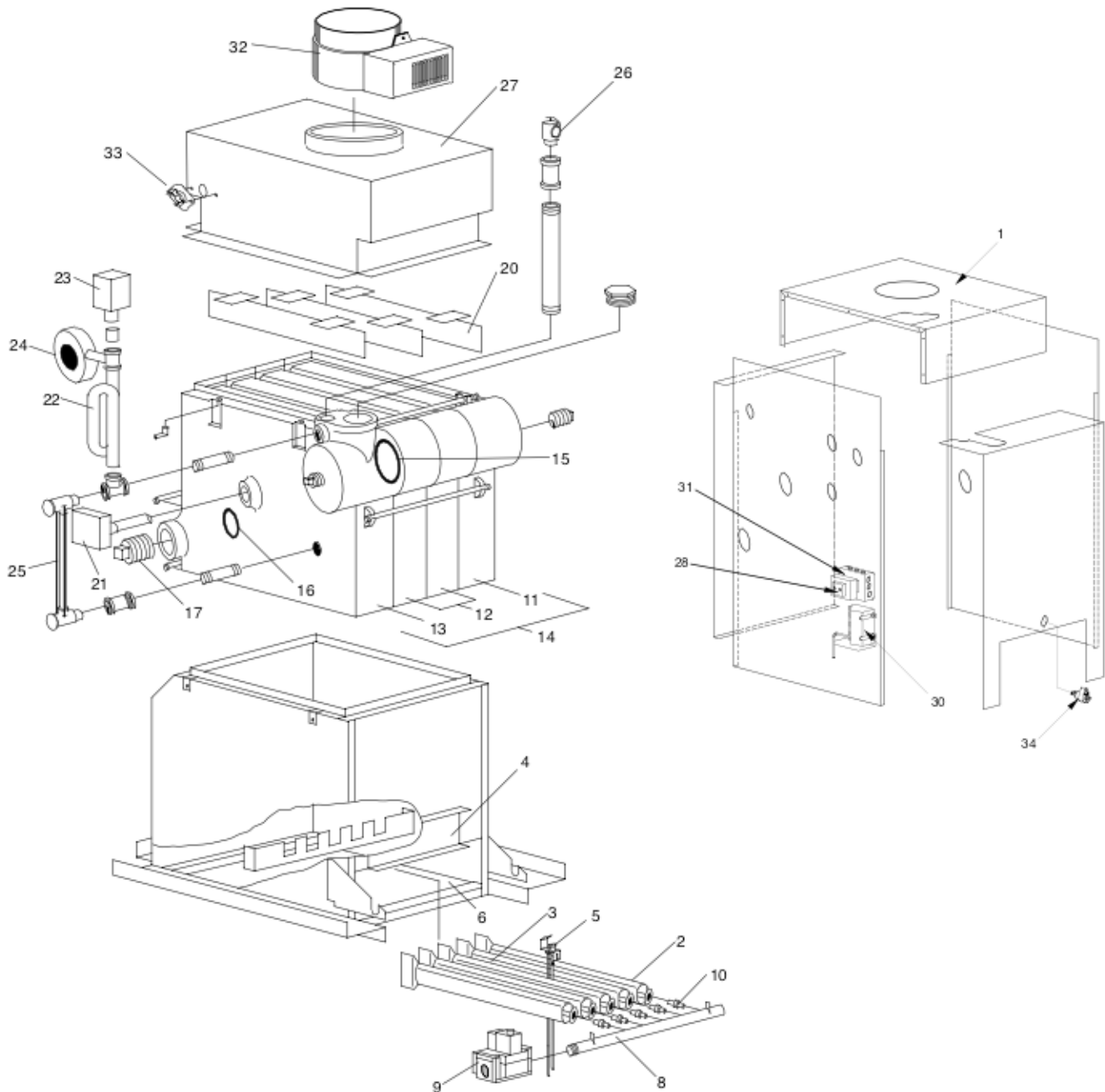


# PARTS FOR DISCONTINUED BOILERS

## GB200 Series



### GB200 SERIES REPLACEMENT PARTS

Ref #	Name of Part	Part No.	Number of Sections			
			3	4L	4H	5
1	Jacket - Complete	59248	1			
	Jacket - Complete	59249		1	1	
	Jacket - Complete	59250				1
2	Burner - N.G./L.P.	59089	2	3	3	4
3	Burner w/Pilot Bracket - N.G./L.P.	59091	1	1	1	1
4	Base Door	59092	1			
	Base Door	59093		1	1	
	Base Door	59309				1
6	Base Pan	59056	1			
	Base Pan	59057		1	1	
	Base Pan	59058				1

# PARTS FOR DISCONTINUED BOILERS

# GB200 Series

## GB200 SERIES REPLACEMENT PARTS

Ref #	Name of Part	Part No.	Number of Sections			
			3	4L	4H	5
NS	Base Assembly (Less Manifold and Burners)	72468	1			
		72469		1	1	
		72470				1
8	Manifold	59119	1			
	Manifold	59120		1	1	
	Manifold	59121				1
10	Burner Orifice - #37 (N.G.)	59145			4	
	Burner Orifice - #38 (N.G.)	59146				5
	Burner Orifice - # 41 (N.G.)	59147	3	4		
	Burner Orifice - # 52(L.P.)	59150			4	5
	Burner Orifice - # 53 (L.P.)	59151	3	4		
11	Section, Rear (Serial Number required)	3672	1	1	1	1
12	Section, Intermediate (Serial Number required)	3671	1	2	2	3
13	Section, Front (Serial Number required)	3670	1	1	1	1
14	Heat Exchanger/Assembled Block	72400	1			
	Heat Exchanger/Assembled Block	72401		1	1	
	Heat Exchanger/Assembled Block	72402				1
15	Port Seal - 5"	60306	2	3	3	4
16	Port Seal - 2"	59168	2	3	3	4
17	Pipe Plug - 2" Sq. Hd.	61547	1	1	1	1
20	Flue Baffle	59185	2	3	3	4
21	Low Water Cut-Off (CG400)	50090	1	1	1	1
22	Pigtail - 1/4"(CG400)	61684	1	1	1	1
23	Pressuretrol (PA404A)	50493	1	1	1	1
24	Press. Gauge (0-30 P.S.I.)	60268	1	1	1	1
25	Water Gauge	59199	1	1	1	1
26	Pressure Relief Valve - 15 P.S.I.	61980	1	1	1	1
27	Draft Diverter	59212	1			
	Draft Diverter	59213		1		
	Draft Diverter	59214			1	
	Draft Diverter	59215				1
28	Transformer 43VA	50172	1	1	1	1
31	Junction Box - 4" x 4"	60116	1	1	1	1
-	Silicone Sealant 11 oz. (Not Shown)	40440				
-	3/8" Fiberglass Rope - 5ft. (Not Shown) Block to Base Seal	60024	4	5	5	6
32	Vent Damper W/Harness Ass'y. 5"	69425	1			
	Vent Damper W/Harness Ass'y. 6"	69426		1	1	
	Vent Damper W/Harness Ass'y. 7"	69427				1
33	Spill Switch (Manual Reset) 275° see Grainger P/N 6UEC9	NLA	1	1	1	1
34	Rollout Switch 300° (Manual Reset) see Grainger P/N 6UEDO	NLA	1	1	1	1
<b>Standing Pilot</b>						
5	Pilot Ass'y NG- Q314ALB, Q309A*	72364	1	1	1	
	Pilot Ass'y NG- Q314ALB, Q309A*	72365				1
-	Thermocouple K16RA-30D	59109	1	1	1	
	Thermocouple K16RA-36D	51006				1
9	Gas Valve - NG/LP VR8200H-1129*	59129	1	1	1	1
<b>Honeywell Intermittent Pilot System</b>						
5	Pilot Ass'y NG- Q3451B-1103*	72352	1	1	1	
	Pilot Ass'y NG- Q3451B-1103*	72353				1
9	Gas Valve - 24V NG/LP VR8204H-1006**	59127	1	1	1	1
30	Igniter Control S8600M-1013 N.G./L.P.	51177	1	1	1	1

\*For LP also order p/n 61015 LP orifice - \$4.50.

\*\*For LP also order p/n 50701 LP orifice - \$7.00.