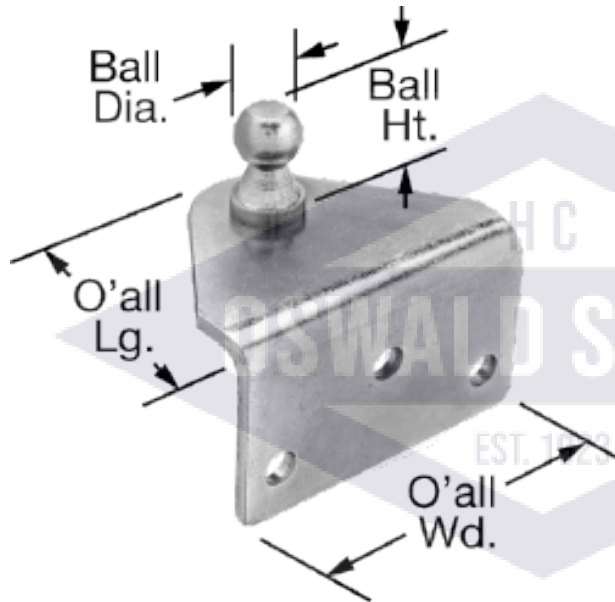




Ball Stud Mounting Bracket for Gas Spring 90 Degree Angle, Long Neck 10mm Ball Diameter, 0.645" Ball Height HM218A



Ball Diameter	10 mm
For Socket ID	10mm
Ball Height	0.645"
Overall Length	1.50"
Overall Width	2.00"
Thickness	0.11"
Mounting Fasteners Included	No
Mounting Holes	3 (dia. 0.2")

KEY FEATURES:

- Made of a 12 gauge heavy duty steel construction and Zinc plated.
- RoHS 3 (2015/863/EU) Compliant
- REACH (EC 1907/2006) (01/16/2020, 205 SVHC) Compliant
- Max Load Force Rating = 255 Lbs. / 1134N Newton/12 Gauge Heavy Duty Durability



718-620-1400



info@oswaldsupply.com



725 Whitier St.
Bronx, NY 10474
www.oswaldsupply.com