

# BSGV Steam Radiator Gate Valve • Spec Sheet

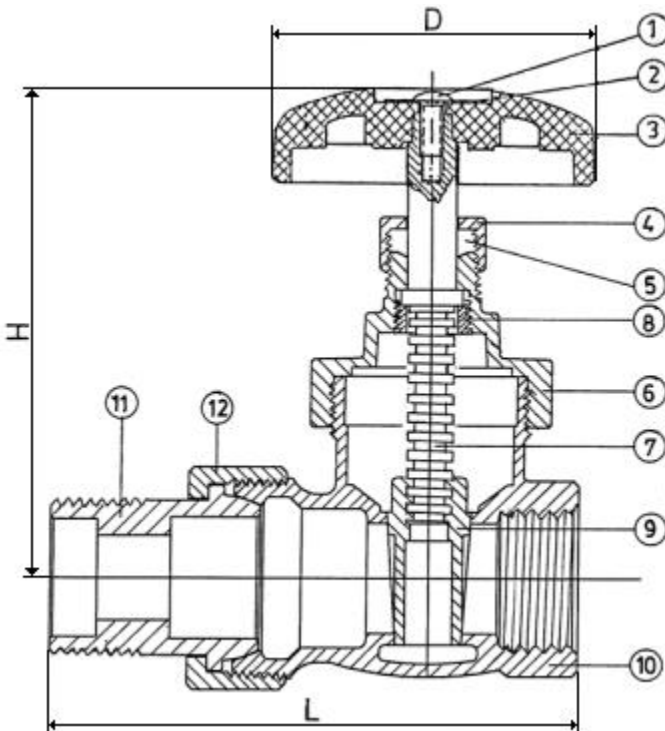


## FEATURES & BENEFITS

- Radiator Gate Valve
- Heavy Pattern
- 125 WSP-200 WOG
- FIP x Male Union
- Sizes 1/2" – 1-1/2"

## DIMENSIONS

Part #	Size	L	H	D
BSGV-0500	1/2"	3.01	2.99	2.30
BSGV-0750	3/4"	3.53	3.59	2.30
BSGV-1000	1"	3.98	4.04	2.30
BSGV-1250	1-1/4"	4.45	4.77	2.30
BSGV-1500	1-1/2"	4.85	5.50	2.30



## MATERIAL SPECIFICATIONS

No.	Part	Material
1	Wheel Nut	Steel
2	Name Plate	Aluminum A1100
3	Handwheel	Phenolic
4	Packing Nut	Brass C16 C36000
5	Packing	PTFE
6	Bonnet	Bronze B584 C84400
7	Stem	Brass C16 C36000
8	Lock Nut	Brass C16 C36000
9	Disc	Bronze B584 C84400
10	Body	Bronze B584 C84400
11	Nipple	Bronze B584 C84400
12	Nipple Nut	Bronze B584 C84400

