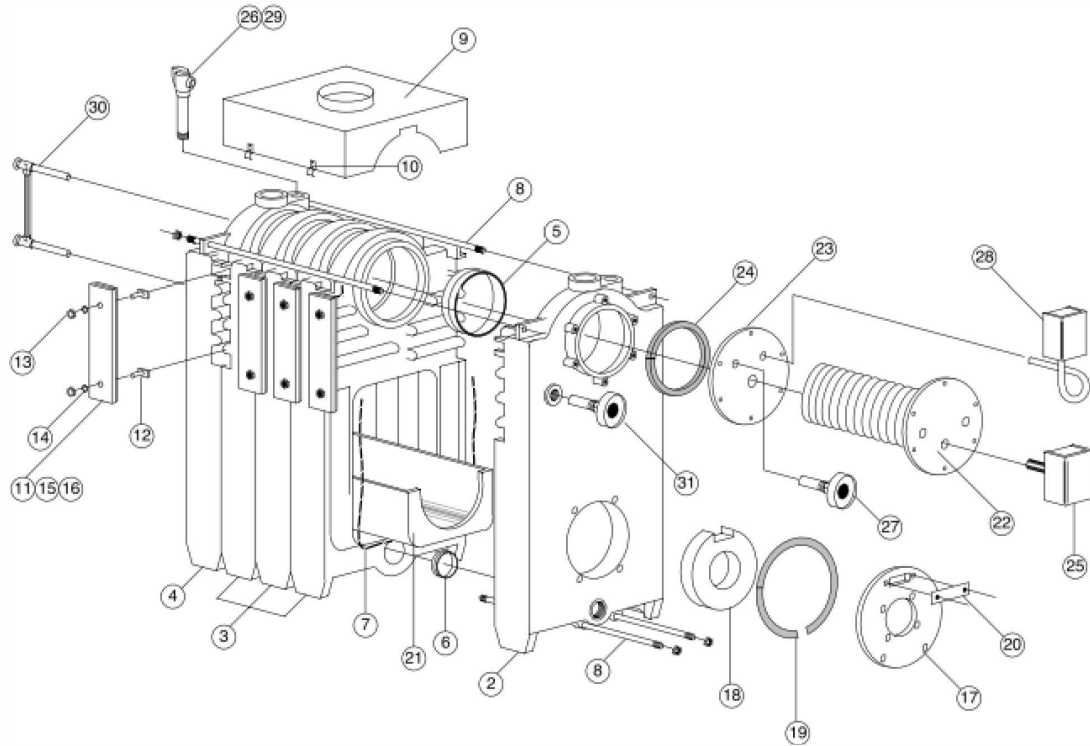


## PARTS FOR DISCONTINUED BOILERS

# BB14A

Ref #	Name of Part	Part No.	Number of Sections					
			3	4	5	6	7	8
9	Flue Collector	NLA						
11	Cleanout Cover W/ Insul. (new)	70523	4	6	8	10	12	14
12	Cleanout Cover Bolts (3/8")	57-4000	8	12	16	20	24	28
13	Cleanout Cover Nuts (3/8")	57-1001	8	12	16	20	24	28
14	Cleanout Cover Washers	62097	8	12	16	20	24	28
15	Cleanout Cover w/ Insul. (old 12 x 17)	70075	2		4	2	N/A	N/A
16	Cleanout Cover w/ Insul. (old 18 x 17)	70076		2		2	N/A	N/A
17	Burner Mounting Plate	3200	1	1	1	1	1	1
—	Burner Mounting Plate Hardware	71341	1	1	1	1	1	1
18	Burner Plt. Insulation Block (trim in field)	60462	1	1	1	1	1	1
19	3/2" Wicking 40" (Burner Mounting Plate)	78115	1	1	1	1	1	1
20	Observation Cover	3383	1	1	1	1	1	1
—	Observation Cover Hardware	71319	1	1	1	1	1	1
21	Wet Pack Combustion Chamber	69676	1					
		69677		1				
		69678			1	1	N/A	N/A
22	Tankless Heater	50651	1					
	Tankless Heater	50652		1	1	1	1	1
24	Heater Cover Plate Gasket	60264	1	1	1	1	1	1
—	Heater Cover Plate Hardware	71401	1	1	1	1	1	1
<b>Water Controls &amp; Trim</b>								
25	Aquastat L4006A-1827	50511	1	1	1	1	1	1
26	Relief Valve 40# (water)	61996	1	1	1	1	1	1
27	Temp & Pressure Gauge	60290	1	1	1	1	1	1
<b>Steam Controls &amp; Trim</b>								
28	Steam Pressuretrol PA404A	50493	1	1	1	1	1	1
29	Relief Valve 15# (steam)	61990	1	1	1			
	Relief Valve 15# (steam)	61992				1	1	1
30	Gauge Glass Set (1/2 x 8 1/2)	61861	1	1	1	1	1	1
31	Steam Gauge (15 P.S.I.)	60268	1	1	1	1	1	1

# PARTS FOR DISCONTINUED BOILERS BB14A



Ref #	Name of Part	Part No.	Number of Sections					
			3	4	5	6	7	8
5	Top Push Nipple (7")	2530	2	3	4	5	6	7
6	Bottom Push Nipple (3")	2382	2	3	4	5	6	7
7	3/8" Wicking 51"	70751	2	3	4	5	6	7
8	Draw Rod 1/2" w/Hardware	70067	4					
		70068		4				
		70069			4			
		70070				4		
		71308					4	
		71309						