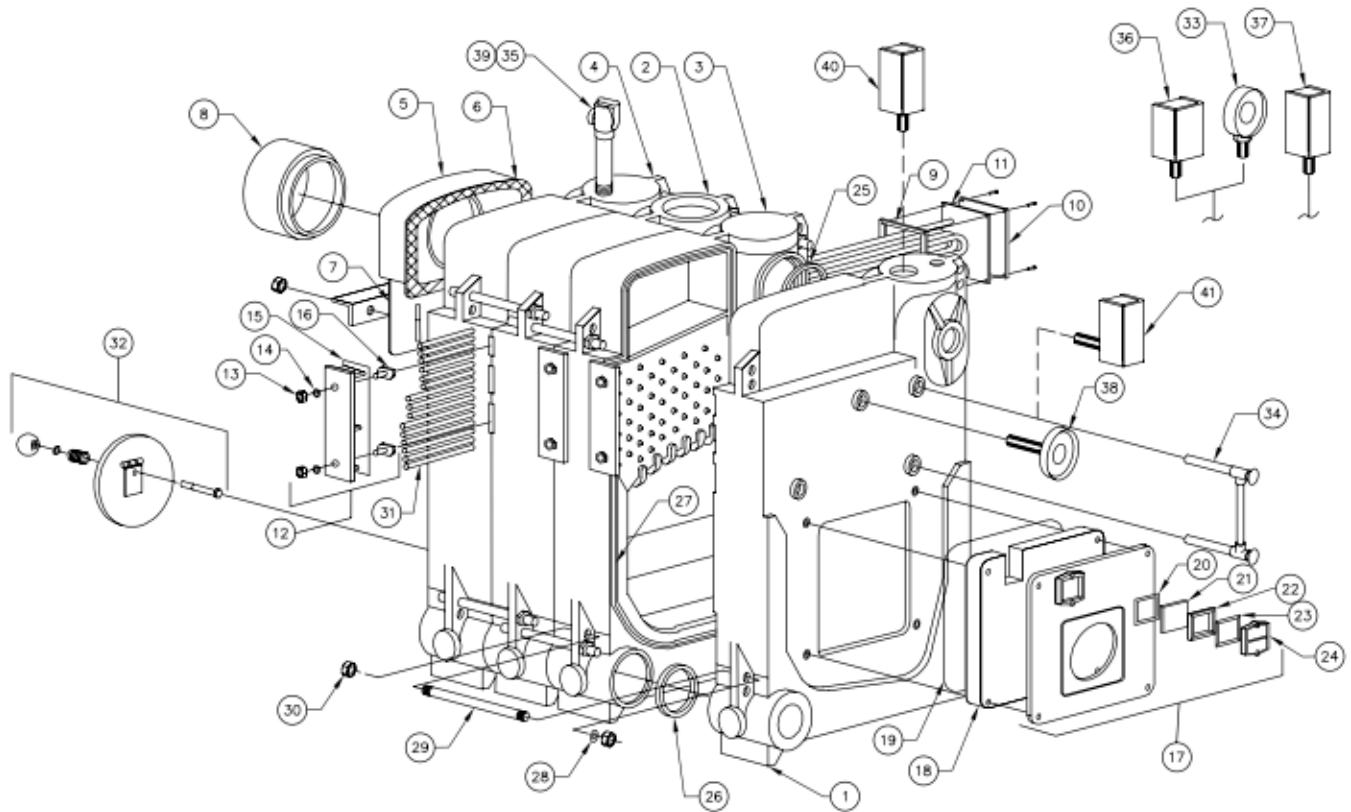


# 28A/RTS/HE Series



## 28A/RTS/HE SERIES REPLACEMENT PARTS

Ref #	Name of Part	Weight	Part No.
1	Front Section with flange connection*	679 lbs.	01-3702
2	Tapped Leg Section with Boss (Steam)	638 lbs.	3624
3	Plain Leg Section with Boss F/1" tap	638 lbs.	3622
	Plain Leg Section less Boss	638 lbs.	3658
	Heater Leg Section	624 lbs.	3623
4	Back section with flange connection**	768 lbs.	01-3700
—	Steam Flange Kit (includes 70-1223 & 70-1224)		70-1225
—	Steam Flange Plate (Front)		70-1224
—	Steam Flange Plate (Rear)		70-1223

Ref #	Name of Part	Part No.
<i>Smokehood Assembly includes: Smokehood, Slide Damper, Angle Bracket, and Hardware</i>		
5	10" Smokehood Assy. (4-6 Section)	70633
	12" Smokehood Assy. (7-8 Section)	70611
	14" Smokehood Assy. (9-13 Section)	70612
	16" Smokehood Assy. (14-18 Section)	70613

\*When replacing Old Style front section for Steam, need to order Front Flange Plate.

\*\*When replacing Old Style back section for Steam & Water (if not using RTS), need to order Rear Flange Plate.

# 28A/RTS/HE Series

## 28A/RTS/HE SERIES REPLACEMENT PARTS

Ref #	Name of Part	Part No.
6	Smokehood Tape	74301
7	Slide Damper Only (4-8 Section)	69371
	Slide Damper Only (9-13 Section)	69372
	Slide Damper Only (14-18 Section)	69373
8	16" to 18" Increaser	70016
9	Tankless Cover Plate Gasket	60325
10	Tankless Cover Plate Assy includes Gasket	70628
11	Tankless Coil (8 GPM) w/Gasket and Hardware	50653
	Tankless Coil (12 GPM) w/Gasket and Hardware	50655

*\* Cleanout Cover Assembly Includes:  
Cleanout Plate, Insulation, Rope and Hardware*

12	28A/RTS Clean Out Cover Plate Assy*	70592
	28HE Clean Out Cover Plate Assy	70593
13,14,16	28A/RTS Cleanout Cover Hardware Kit (2 Ea Bolt, Nut, Washer)	21-1501
	28HE Clean Out Cover Hardware Kit (2 Ea Bolt, Nut, Washer)	21-1502
15	Rope Seal 45"	76538
—	Silicone Sealant 10.3 oz.	61924

*Burner Mounting Plate Assembly includes:  
Mounting Plate with Observation Glass and Cover*

17	Burner Mounting Plate Assy 9" (#3411)	70641
	Burner Mounting Plate Assy 10 1/4" (#3410)	70640
	Burner Mounting Plate Assy 12 1/2" (#3552)	70510
	Burner Mounting Plate Assy 7 3/4" (#3517)	70669
—	Burner Mounting plate H'ware	71267
18	Burner Insulating Block	69645
19	Rope Seal 3/8 x 7 ft. (Burner Mounting Plate)	76540
20	Observation Glass Gasket (Inner)	60317
21	Observation Glass Only	60326
22	Observation Glass Gasket (Outer)	60318
23	Observation Glass Holder	60314

Ref #	Name of Part	Part No.
—	Screws, Observation Port (4)	61757
—	Screws, Brass (3)	61833
—	Front Observation Port Ass'y (Includes Items 20-24)	70-1255
24	Observation Cover Plate	3420
25	Upper Port Gasket (Viton) 1 per Section	60337
26	Lower Port Gasket (Viton) 2 per Section	60338
25	Upper Port Gasket (Chlorobutyl) <sup>(1)</sup> 1 per Section	60315
26	Lower Port Gasket (Chlorobutyl) <sup>(1)</sup> 2 per Section	60316
25-26	Graphite Port Connector (1 Upper and 2 Lower)	60375
27	1/2" Rope (12' 6" lengths)	70660
28/29/30	5/8" x 11" Draw Rod w/H'ware	70139
31	Heat Transfer Rod Set (HE only)	70063
—	Flue Brush	60090
—	Spray Adhesive (can only ship UPS ground)	70492
32	Rear Observation Port Assy	70614
—	Rear Observation Port H'ware	71301
—	Stack Thermometer	51383

### Steam Trim and Controls

33	3 1/2" Steam Gauge	60269
34	Gauge Glass 3/8" X 11 1/2"	61931
35	1 1/4" Steam Relief Valve 4-5 Sect	61983
	1 1/2" Steam Relief Valve 6-7 Sect	61984
	2" Steam Relief Valve 8-12 Sect	61985
	2 1/2" Steam Relief Valve 13-17 Sect	61986
	3" Steam Relief Valve 18 Sect	61987
36	PA404A Operating Control	50493
37	L4079B Limit Control	50495

### Water Trim and Controls

38	3 1/4" T/P Gage	60290
43	3/4" Relief Valve 40# 4 Sect	61997
	1" Water Relief Valve 40# 5-6 Sect	61998
	1 1/4" Water Relief Valve 40# 7-10 Sect	61999
	1 1/2" Water Relief Valve 40# 11-14 Sect	62000
	2" Water Relief Valve 40# 15-18 Sect	62002
40	L4006A Operating Control	50511
41	L4006E Limit Control	14-1001

\*NOTE: Refer to chart on page 24 if 2 or more cleanout covers are needed.

<sup>(1)</sup> Use chlorobutyl for boilers manufactured prior to February 1988.

# 28A/RTS/HE Series

## 28A/RTS/HE SERIES REPLACEMENT PARTS

Ref #	Name of Part	Part No.
<b>Grooved Water Return Yoke</b>		
—	Complete W/R Yoke	70652
—	4" Coupling w/Gasket	60632
—	4" Tee	60633
—	4" Cap	60634
—	4" x 6" Groove by Thread Nip	53-1000
—	4" x 4" x 5" Bullhead Tee	60636
—	5" Coupling w/Gasket	60637
—	5" x 6" Groove by Thread Nip	60638
—	4.5 oz. Lube	60639
<b>Old Style Water Return Yoke (Screw Pipe)</b>		
—	Complete Yoke 4-5 section	70655
—	Complete Yoke 6-9 section	70653
—	Complete Yoke 10-18 section	70654

Ref #	Name of Part	Part No.
<b>Individual Components</b>		
—	3" L/N Gasket	60294
—	4" L/N Gasket	60295
—	3" L/N Washer	60299
—	4" L/N Washer	60300
—	3 x 4 1/2" Nipple Pipe	60822
—	4 x 6 Nipple Pipe	60831
—	3 x 6 L/N Nipple	60841
—	4 x 6 L/N Nipple	60850
—	3 x 10 Nipple Pipe	60889
—	4 x 9 Nipple Pipe	60890
—	3 x 10 1/4 L/N Nipple	60891
—	4 x 9 L/N Nipple	60892
—	3 x 11 Nipple Pipe	60895
—	4 x 3 Hex CI Bushing	61194
—	3" Pipe Cap	61379
—	4" Pipe Cap	61380
—	3" Standard L/N	70648
—	3x3x4 L/N Tee	71060
—	3x3x3 L/N Tee	71062
—	4x4x4 L/N Tee	71067
—	4x4x5 L/N Tee	71166
—	4" Standard L/N	71687
<b>RTS Components</b>		
—	Flanged End	70-1201
—	3 Hole Int. Tube	70-1202
—	2 Hole End	70-1203
—	3 Hole End	70-1204
—	4 Hole End	70-1205
—	Support Bracket	03-1059
—	Flange Gasket	06-1007
—	Flange Hardware Kit	70-1227

## 28A/RTS/HE CLEANOUT COVERS w/HARDWARE

Number of Sections	28A/RTS Part Number	List Price	28HE/RTS Part Number
4	72569	\$ 348	72584
5	72570	464	72585
6	72571	580	72586
7	72572	696	Use combinations of 4/5/6 section cleanout covers for 6 thru 18 section boilers.
8	72573	812	
9	72574	928	
10	72575	1044	