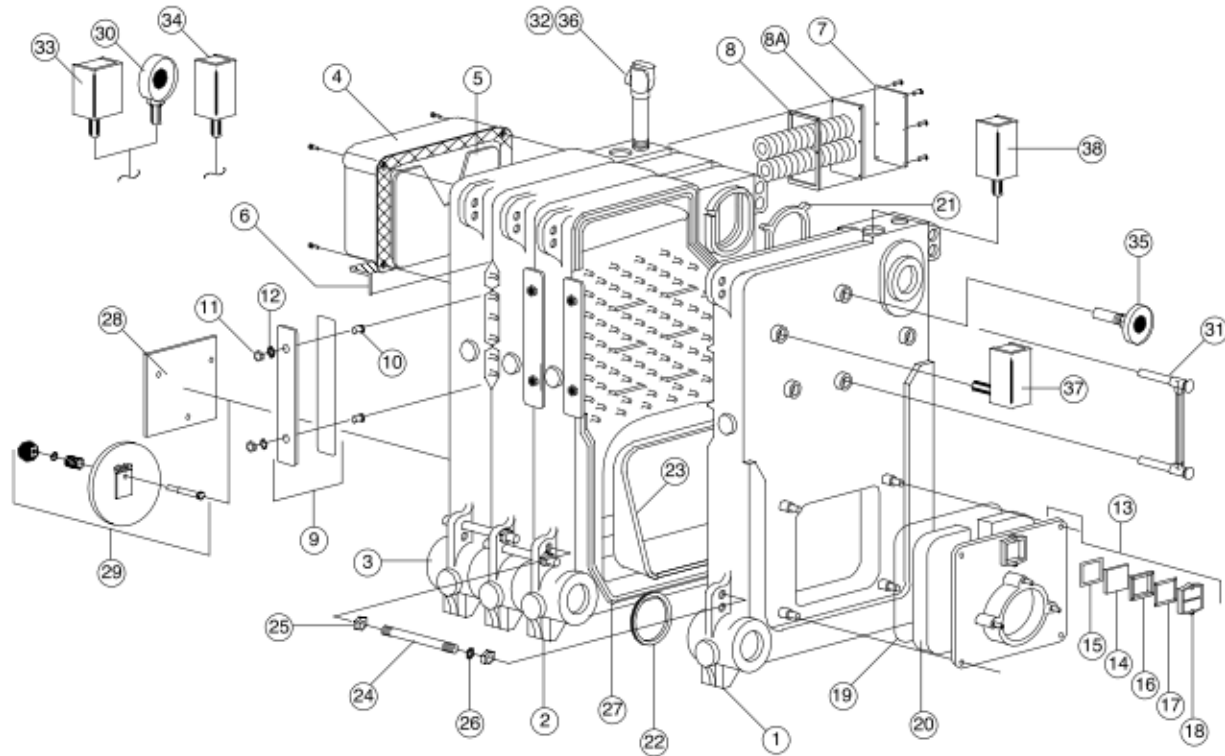


19A/HE Series



19A/HE SERIES REPLACEMENT PARTS

Ref #	Name of Part	Weight	Part No.
1	Front Section	358 lbs.	3638
2	Plain Leg Section	332 lbs.	3637
	Heater Leg Section	341 lbs.	3641
3	Back Section	402 lbs.	3639

*Smokehood Assembly includes:
Smokehood, Slide Damper, Angle Bracket, and Hardware*

4	7" Smokehood Assy. (3-5 Sect. for 19) (3-4 for 19A/HE)	70338
	8" Smokehood Assy. (6 Sect. for 19) (5-6 Sect. for 19A/HE)	70339
	9" Smokehood Assy. (7 Sect. 19 & 19A/HE)	70340

Ref #	Name of Part	Part No.
	10" Smokehood Assy. (8-12 Sect. 19 & 19A/HE)	70341
4A	Smokehood Tape	74300
5	Slide Damper Only	69370
6	Angle Bracket Only	69150
7	Tankless Cover Plate Assy (includes Studs, Nuts & Gasket)	70343
—	Tankless Cover Plate Stud	60104
—	Tankless Cover Plate Nut	60874
8	Tankless Cover Plate Gasket	60312
8A	Tankless Coil w/Gasket and Hardware	50634

19A/HE Series

19A/HE SERIES REPLACEMENT PARTS

Ref #	Name of Part	Part No.
<i>**Cleanout Cover Assembly includes: Cleanout Plate, Insulation, Rope and Hardware</i>		
9	Clean Out	19A 70592
	Cover Plate Assy**	19HE 70590
—	Rope Seal (45")	76538
—	Silicone Sealant 10.3oz	61924
10/11/12	C/O Cover Hardware Kit	19A 21-1501
	(2 Ea Bolt, Nut, Washer)	19HE 21-1502
<i>Burner Mounting Plate Assembly includes: Mounting Plate with Observation Glass and Cover</i>		
13	Burner Mounting Plate Assy 6 ¹ / ₈ " Opening	70465
	Burner Mounting Plate Assy 7 ³ / ₄ " Opening	70466
	Burner Mounting Plate Assy 9 ¹ / ₈ " Opening	70491
—	Burner Mounting Plate H'ware	71316
14	Observation Glass Only	60326
15	Observation Glass Gasket	60317
16	Observation Glass Gasket	60318
17	Observation Glass Holder	60314
—	Screws, Observation Glass (4)	61757
—	Screws, Brass (3)	61833
18	Observation Cover Plate	3420
—	Front Obs Port Assy (includes items 14-18)	70-1255
19	Rope Seal 1 ¹ / ₄ " x 4.75 ft.	78105
20	Burner Insulating Block	60434
	Burner Insulating Block (3-5 Sect. – Beckett)	60430
—	Burner Insulating Block H'ware	71268
21	Upper Port Gasket (Viton) 1 per Section	60339
22	Lower Port Gasket (Viton) 1 per Section	60340

Ref #	Name of Part	Part No.
23	Target Wall (3-6 Sect. only)	69761
24	5/8" x 9" Draw Rod	60101
25	5/8" Hex Nut	60877
26	5/8" Washer	62099
—	Flue Brush	60090
27	3/8" Rope (10' 4" per sect.)	78100
—	Spray Adhesive	70492
28	Rear Observation Port Cover (3-6 Section) (Round)	3679
29	Rear Observation Port Assy (7-12 Section)	70614
—	Rear Observation Port H'ware	71301
Steam Trim and Controls		
30	3 ¹ / ₂ " Steam Gauge	60269
31	Gauge Glass 5/8" x 9 ⁷ / ₈ "	61862
32	1" Steam Relief Valve (3-5 Sect. on 19/19A/19HE)	61982
	1 ¹ / ₂ " Steam Relief Valve (6-10 Sect. on 19) (6-8 Sect. on 19A/19HE)	61983
	1 ¹ / ₂ " Steam Relief Valve (11-12 Sect. on 19) (9-12 Sect. on 19A/19HE)	61984
33	PA404A Operating Control	50493
34	L4079B Limit Control	50495
Water Trim and Controls		
35	3 ¹ / ₂ " Theratimeter	60290
36	3/4" Relief Valve (3-10 Sect. on 19) (3-8 Sect. on 19A/19HE)	61997
	1" Relief Valve (11-12 Sect. on 19) (9-11 Sect. on 19A/19HE)	61998
	1 1/4" Relief Valve (19A/19HE-12)	61999
37	L4006A Operating Control	50511
38	L4006E Limit Control	14-1001

19A/19HE

CLEANOUT COVERS W/HARDWARE

**Please refer to the chart to the right if two or more cleanout covers are needed.

Number of Sections	19A Part Number
3	71889
4	72569
5	72570
6	72571
7	72572
8	72573
9	72574
10	72575

19HE Part Number
72587
72588
72589

Use combinations of 3/4/5 section cleanout covers for 6 thru 12 section boilers.