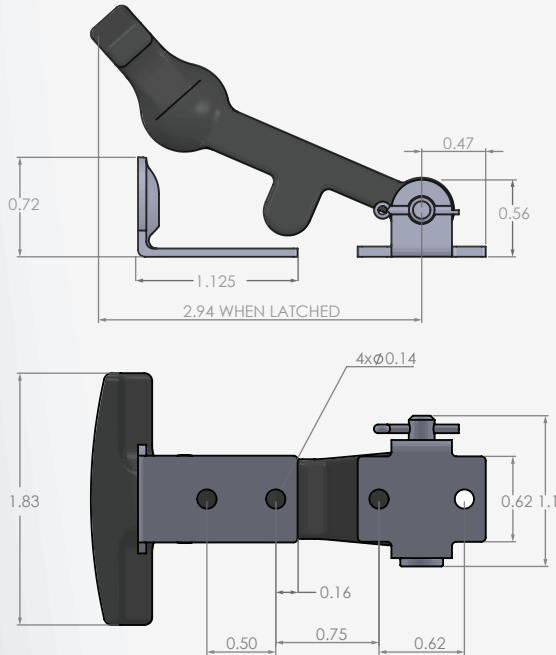




# RUBBER LATCHES

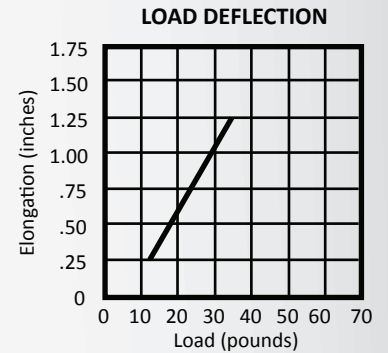


## 3 INCH LATCH



### 089 Series 3-Inch, T-Handle Latch

<b>Handle</b>	EPDM Rubber, Black
<b>Keeper</b>	1010 Carbon Steel
<b>Base</b>	1010 Carbon Steel
<b>Pin</b>	1010 Carbon Steel
<b>Finish</b>	Clear Zinc Plated
<b>Weight</b>	0.070 Pounds Per Assembly
<b>Deflection</b>	See Load Deflection Chart



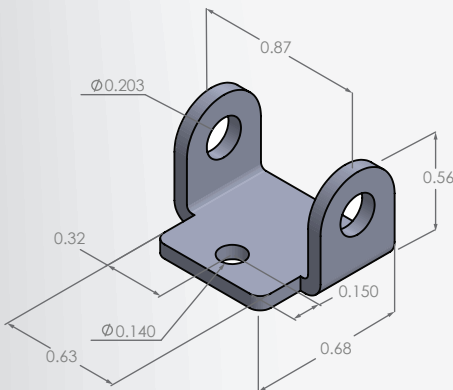
Part Number	Keeper			Base		
	Assembled	Unassembled	Mounting Holes	Type	No.	Alignment
*A-089-0100	089-0100	K1 (Forward)	2	Longitudinal	B1	2 Longitudinal
A-089-0102	089-0102	K1 (Forward)	2	Longitudinal	B2	1 Centered
A-089-0103	089-0103	K2 (Reverse)	2	Lateral	B1	2 Longitudinal
A-089-0202		K3 (Forward)	1	Longitudinal	B1	2 Longitudinal

\*Model illustrated is Part Number A-089-0100 which includes Keeper K1 069-0052-01 and Base 069-0051-01. For illustrations and part numbers of other keepers and bases in the 089 Series only, refer to the section of this brochure entitled *Optional Hardware*.

### Optional Hardware For 089 Series 3-Inch T-Handle Latches

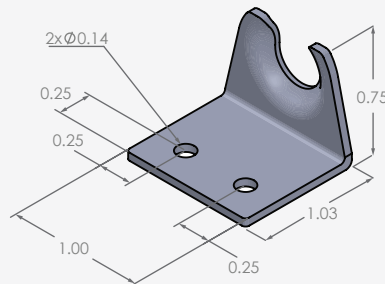
#### BASE B2 P/N 069-0076-01

One-hole centered  
Used with latch: 089-0102



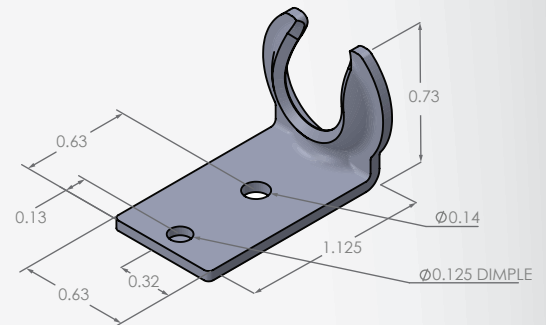
#### KEEPER K2 (Reverse) P/N 069-0085-01

Two-hole (lateral alignment)  
Used with latch: 089-0103

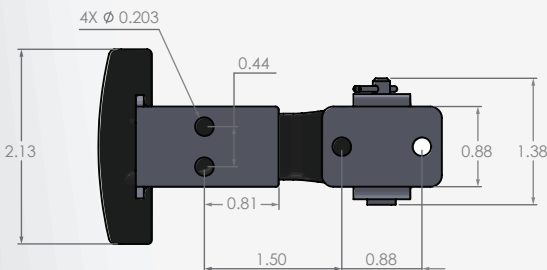
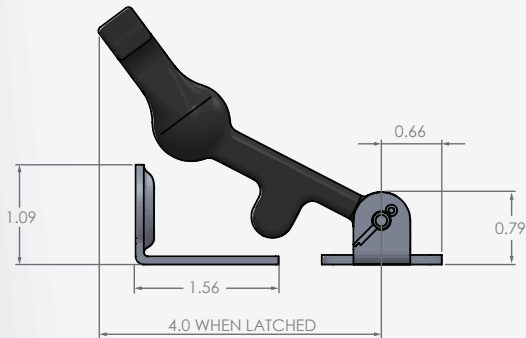


#### KEEPER K3 P/N 069-0149-01

One hole, one dimple. (Longitudinal alignment)  
Used with latch: 089-0202



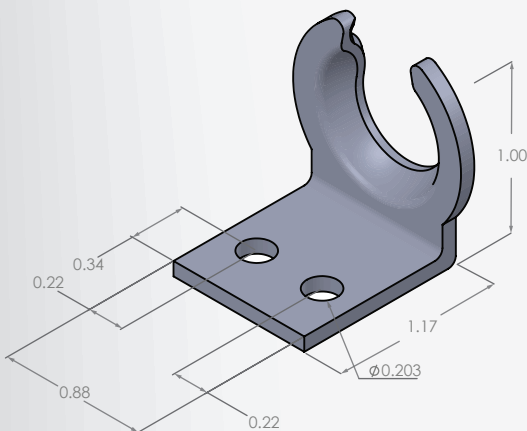
## 4 INCH LATCH



### Optional Hardware For 079 Series 4-Inch T-Handle Latches

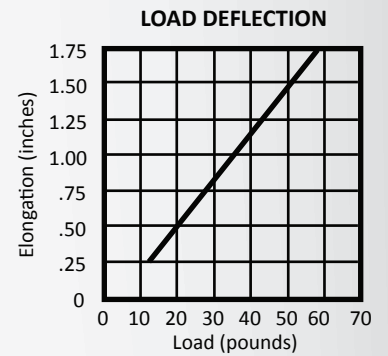
#### KEEPER K2 (Reverse) P/N 069-0086-01

Two-hole (lateral alignment)  
Used with latch: 079-0101



#### 079 Series 4-Inch, T-Handle Latch

<b>Handle</b>	EPDM Rubber, Black
<b>Keeper</b>	1010 Carbon Steel
<b>Base</b>	1010 Carbon Steel
<b>Pin</b>	1010 Carbon Steel
<b>Finish</b>	Clear Zinc Plated
<b>Weight</b>	0.165 Pounds Per Assembly
<b>Deflection</b>	See Load Deflection Chart

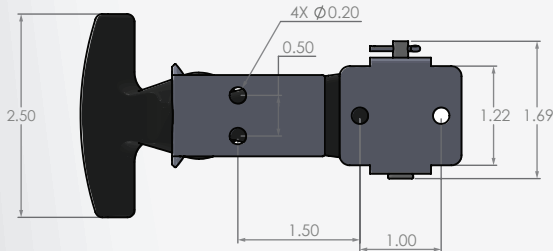
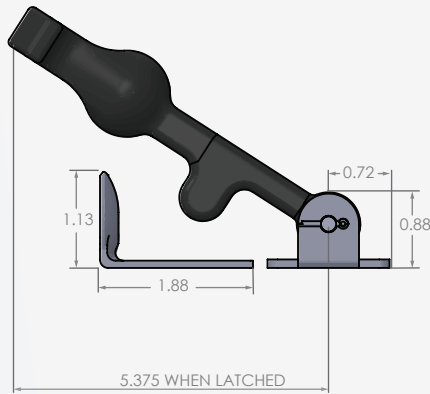


Part Number	Keeper	Base		
		Type	No.	Alignment
A-079-0100	K1 (Forward)	B1	2	Longitudinal
A-079-0101	K2 (Reverse)	B1	2	Longitudinal

\*Model illustrated is Part Number A-079-0100 which includes Keeper K1 069-0024-01 and Base B1 069-0025-01. For illustrations and part numbers of other keepers and bases in the 079 Series only, refer to the section of this brochure entitled *Optional Hardware*.

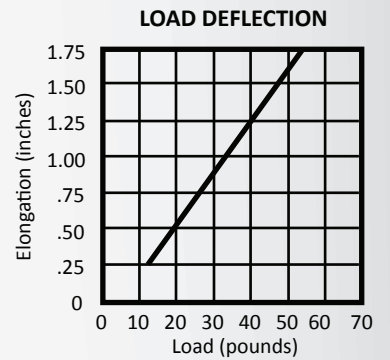
Note: All dimensions for reference only.

## 5 INCH LATCH



### 069 Series 5-Inch, T-Handle Latch

**Handle** EPDM Rubber, Black  
**Keeper** 1010 Carbon Steel  
**Base** 1010 Carbon Steel  
**Pin** 1010 Carbon Steel  
**Finish** Clear Zinc Plated  
**Weight** 0.359 Pounds Per Assembly  
**Deflection** See Load Deflection Chart

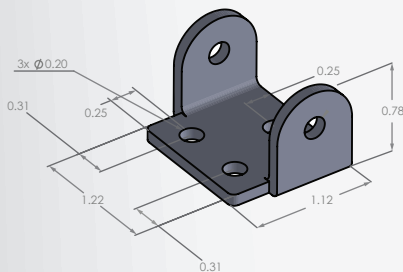


Part Number	Keeper			Base			
	Type	No.	Alignment	Type	No.	Alignment	
Assembled							
Unassembled							
A-069-0008	069-0008	K2 (Reverse)	2	Longitudinal	B2	3	Triangular
*A-069-0101	069-0101	K1 (Forward)	2	Lateral	B1	2	Longitudinal
A-069-0111	069-0111	K2 (Reverse)	2	Longitudinal	B1	2	Longitudinal

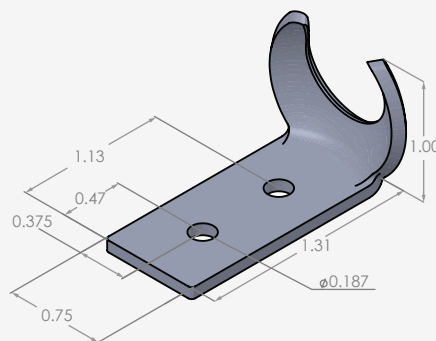
\*Model illustrated is Part Number A-069-0101 which includes Keeper K1 069-0014-01 and Base B1 069-0015. For illustrations and part numbers of other keepers and bases in the 069 Series only, refer to the section of this brochure entitled *Optional Flex Tite Hardware*.

### Optional Hardware For 069 Series 5-Inch T-Handle Latches

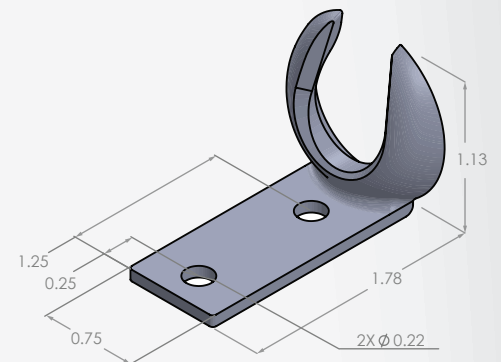
**BASE B2 P/N 069-0004-01**  
 Three-hole (triangular alignment)  
 Used with latch: 069-0008



**KEEPER K2 (Reverse) P/N 069-0003-01**  
 Two-hole (lateral alignment)  
 Used with latch: 069-0008, 069-0111



**KEEPER K3 (Forward) P/N 069-0047-01**  
 Two-hole (longitudinal alignment)  
 Used with latch: 069-0107



## OPTIONS

### HARDWARE FINISH

- Clear Zinc
- Yellow Zinc
- Black Zinc
- Everlube
- Phosphate
- Cadmium Plate
- Stainless
- Custom
- Unplated

### PIN FASTENER

- Cotter Pin (Standard)
- E-Clip

### OPERATING TEMP

- -60°F to 250°F

### RUBBER STRAPS

- Standard Flex
- Stiff Flex (70 Durometer)
- Remove Snubber

## STAINLESS STEEL CROSS REFERENCE

		CLEAR ZINC	STAINLESS EQUIVALENT
3"	ASSEMBLY	A-089-0100	A-089-0109
	BASE	069-0051	069-0133
	KEEPER	069-0052	069-0134
4"	ASSEMBLY	A-079-0100	A-079-0104
	BASE	069-0025	079-0006
	KEEPER	069-0024	079-0008
5"	BASE	069-0015	069-0182
	KEEPER	069-0003	069-0177

IF YOU DON'T SEE A LATCH CONFIGURATION THAT MEETS YOUR REQUIREMENTS, CONTACT US

INNOVATING, EFFECTIVE MOTION CONTROL SOLUTIONS