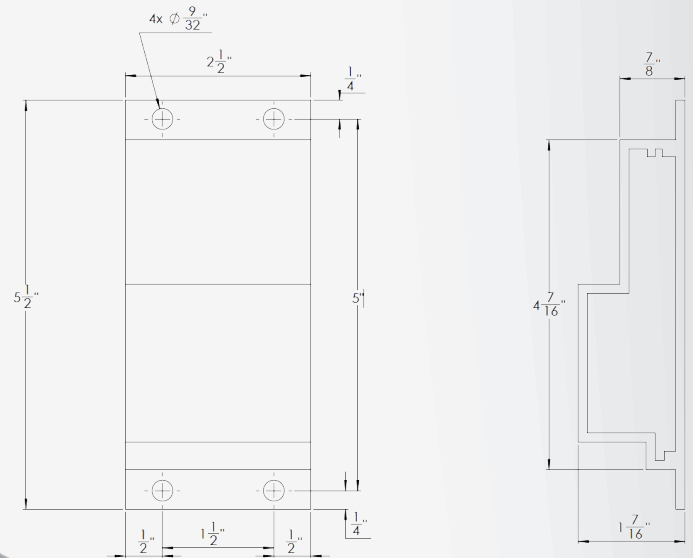


CONTROLLERS



POSITIONAL ECM TECHNICAL SPECIFICATIONS

Control Type:	Five position
Operating Voltage:	12 VDC nominal
Motor Output:	12 VDC, 5A (current limited)
Clutch Output:	12 VDC, 1A maximum
Operating Temp Range:	-40°F (-40°C) to 158°F (70°C)
Actuator Harness:	6' long, 7 wire, 20 ga shielded cable, optional connector
Power/Command Harness:	3' long, 4 wire, 20 ga shield cable
Weight:	1.3 lbs (0.6kg)

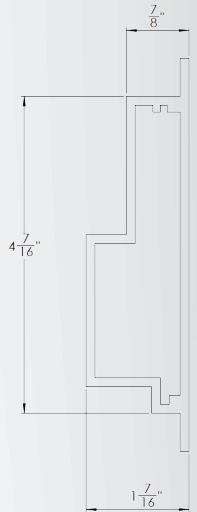
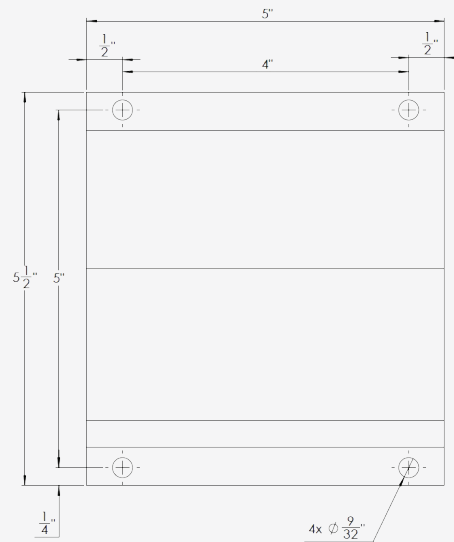
ADJUSTMENT FEATURES

- Position 1 (trim pot)
- Position 2 (trim pot)
- Position 3 (trim pot)
- Position 4 (trim pot)

CONSTRUCTION

- Extruded aluminum housing
- Potted electronics

CONTROLLERS



PROPORTIONAL ECM TECHNICAL SPECIFICATIONS

Control Type:	Fully Proportional
Operating Voltage:	12 VDC nominal
Motor Output:	12 VDC, 5A (current limited)
Clutch Output:	12 VDC, 1A maximum
Operating Temp Range:	-40°F (-40°C) to 158°F (70°C)
Actuator Harness:	6' long, 7 wire, 20 ga shielded cable, optional connector
Command Harness:	3' long, 3 wire, 20 ga shield cable
Power Harness:	3' long, 2 wire, 18 ga
Weight:	2.3 lbs (1.1kg)

ADJUSTMENT FEATURES

- Extend Stroked Position
- Retract Stroke Position
- Dead Band (Sensitivity)

CONSTRUCTION

- Extruded aluminum housing
- Potted electronics

INNOVATING, EFFECTIVE MOTION CONTROL SOLUTIONS