



# 723 SERIES

## CONSTRUCTION

- Aluminum die cast housing
- E-coated for corrosion resistance
- Permanently lubricated metal gear drive
- Stainless steel output shaft
- Sealed construction
- Dust proof and splash proof
- Industrial grade rod seal
- 4-start stainless steel screw

## CABLE

- 7 wire
- 20 guage, shielded cable
- 3 ft long

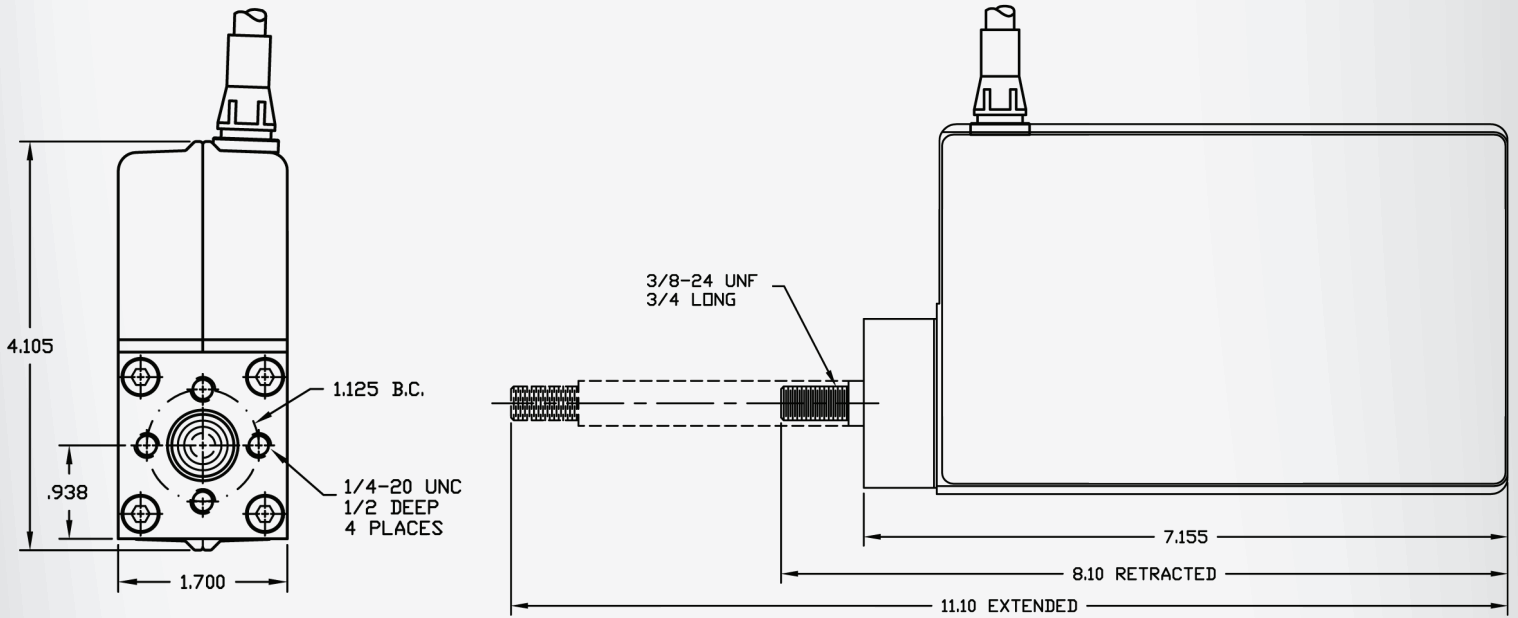
## OPTIONS

- Direct drive (no clutch)
- Push-pull cable output
- Sealed/potted; IP67
- Pivot/trunnion mount

## TECHNICAL SPECIFICATIONS

<b>Operating Voltage:</b>	10.3 to 16 VDC, 12 VDC nominal
<b>Output Force (Holding)Load:</b>	150 lbf (677N)
<b>Output Force (Dynamic) Load:</b>	60 lbf @ 3 amps (266N)
<b>Motor Current (at rated load):</b>	2.25 amps
<b>Motor Locked Rotor Current:</b>	18 amps
<b>Clutch Current:</b>	0.6 amps
<b>Stroke (max):</b>	3 inches (76.2 mm)
<b>Maximum No Load Speed:</b>	1.5 inches/second (38 mm/s)
<b>Weight:</b>	3.6 lbs (1.6kg)
<b>Operating Temp Range:</b>	-40°F (-40°C) to 158°F (70°C)
<b>Feedback:</b>	10k linear potentiometer





### MOUNTING BRACKET

