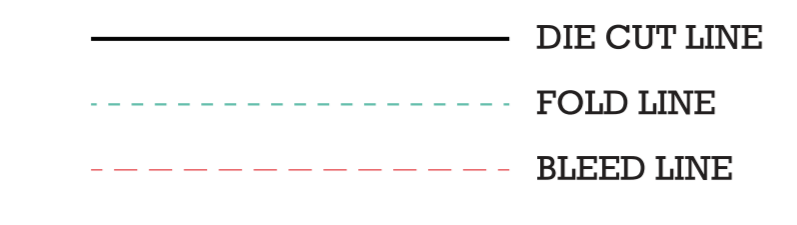
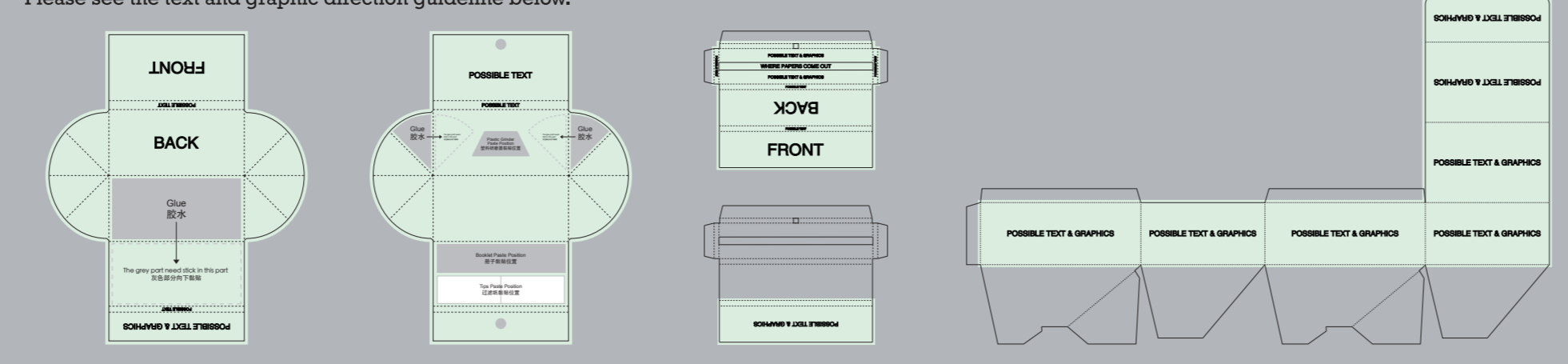


ORDER DETAILS	
MOCKUP NO.	WYF00
INQUIRY NO.	BQ0001_V1
ORDER NO.	
PRODUCT DETAILS	
SIZE	ONE & QUARTER SIZE WITH TIPS WRAP BOWTIE
PAPER TYPE	
QUANTITY	
BOX PACKING	16 BOOKLETS A BOX
VALUE ADDITION	
PRINTING EFFECT	CMYK



REMARKS:
 - Artwork should be submitted in AI, EPS, PDF, CDR, PSD.
 - For JPEG, PNG and PSD please submit your artwork with a minimum of 300dpi

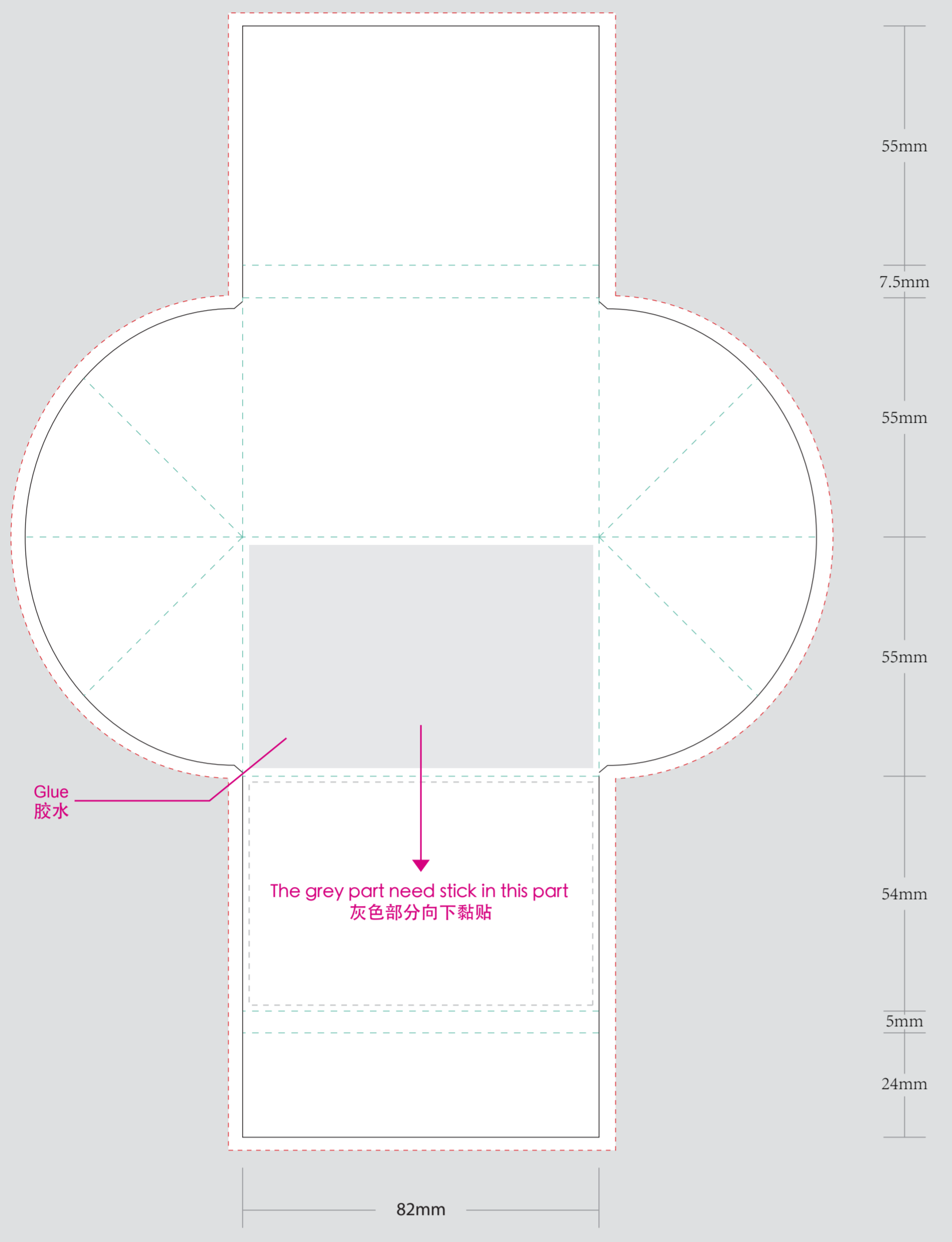
Please see the text and graphic direction guideline below.



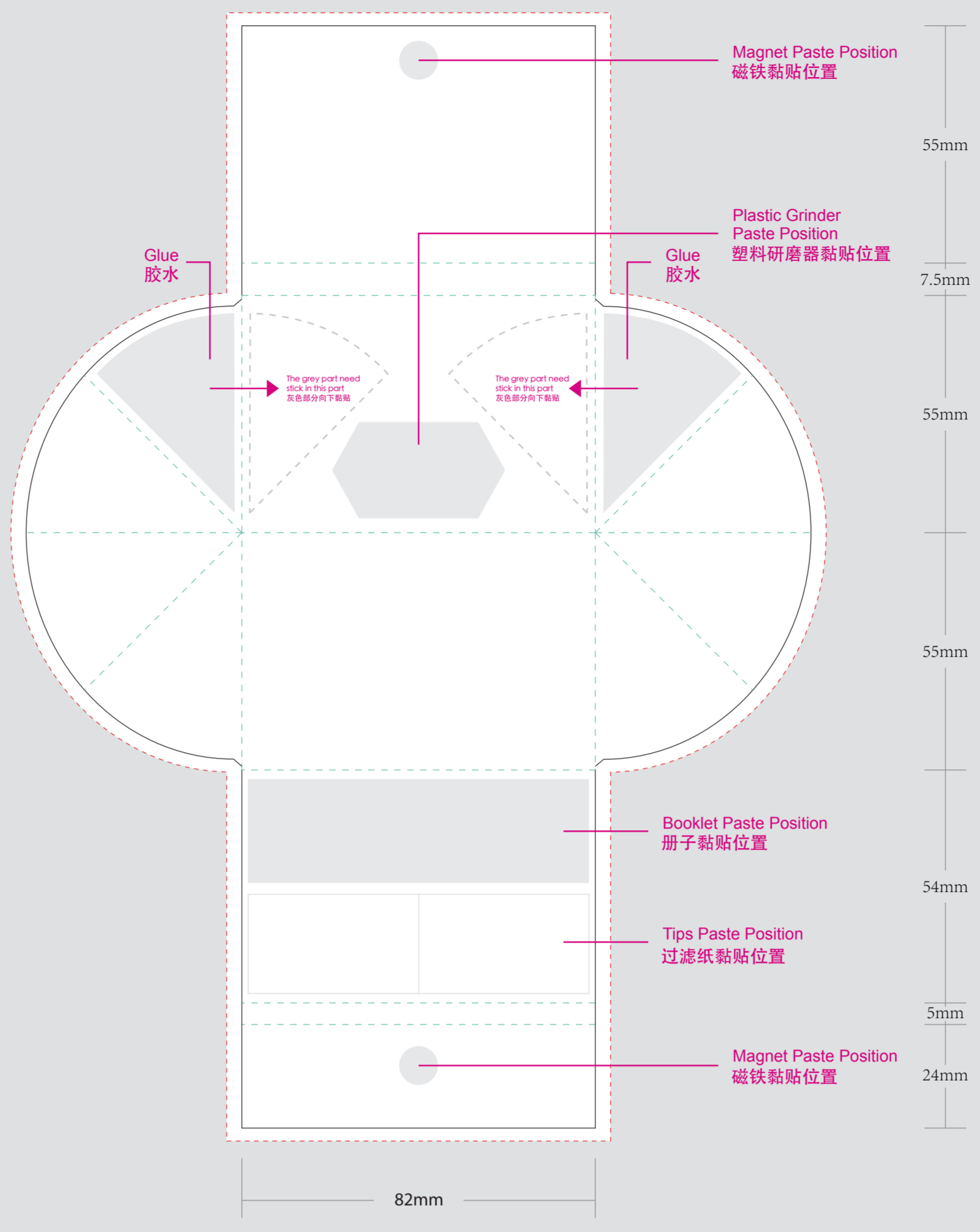
VISIBLE AREA

I accept the artwork and understand that any mistakes or omissions is my responsibility.
 DATE:
 PRINT NAME:
 APPROVAL SIGNATURE:

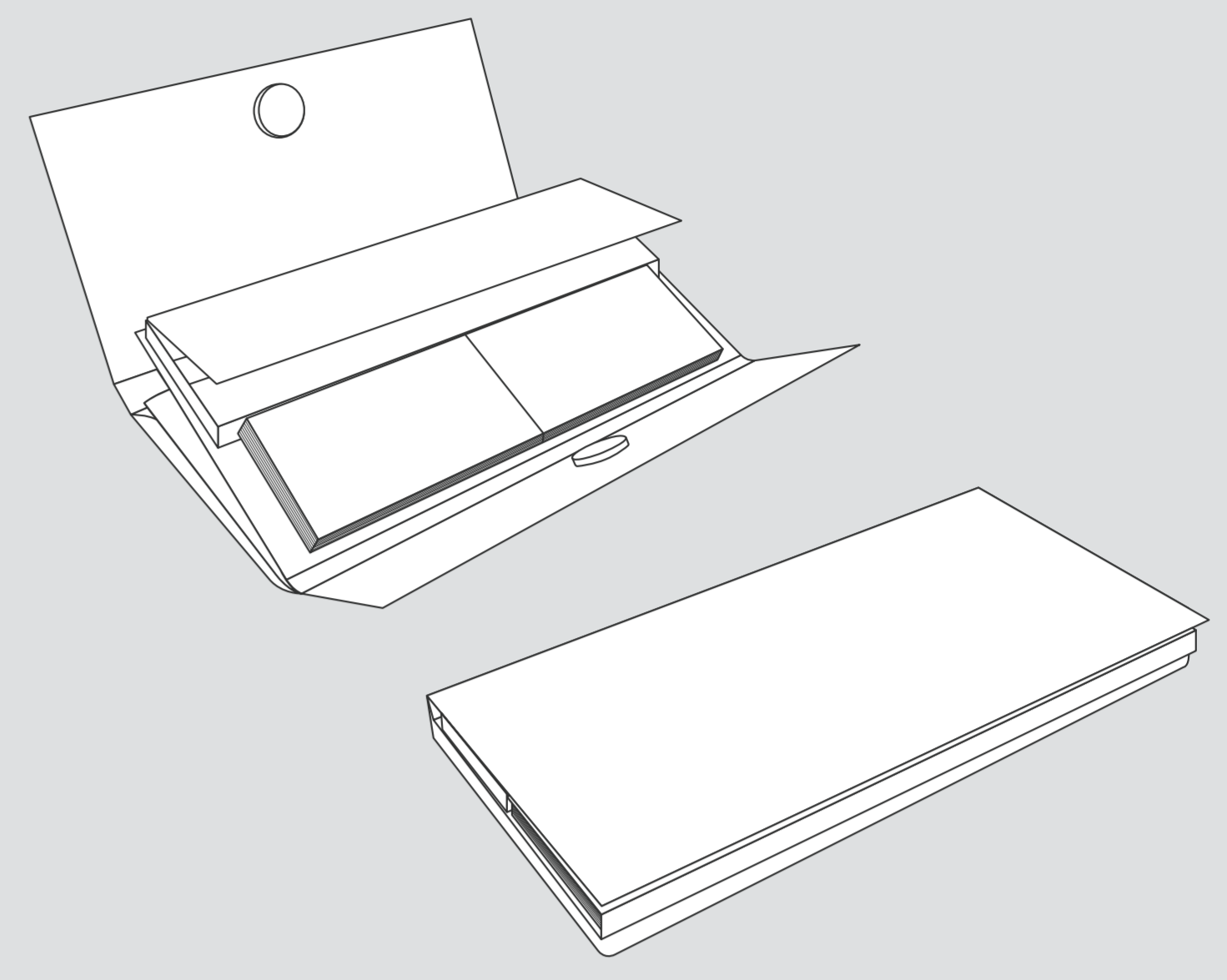
COVER OUTSIDE



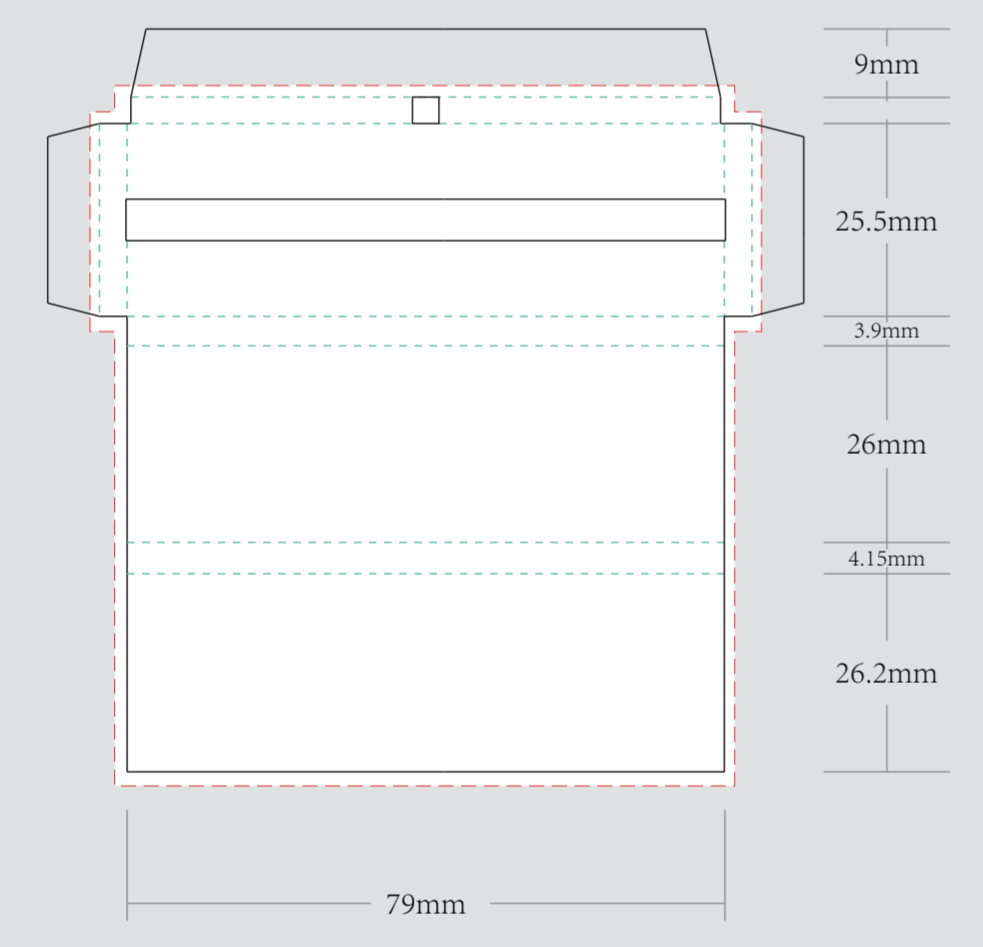
COVER INSIDE



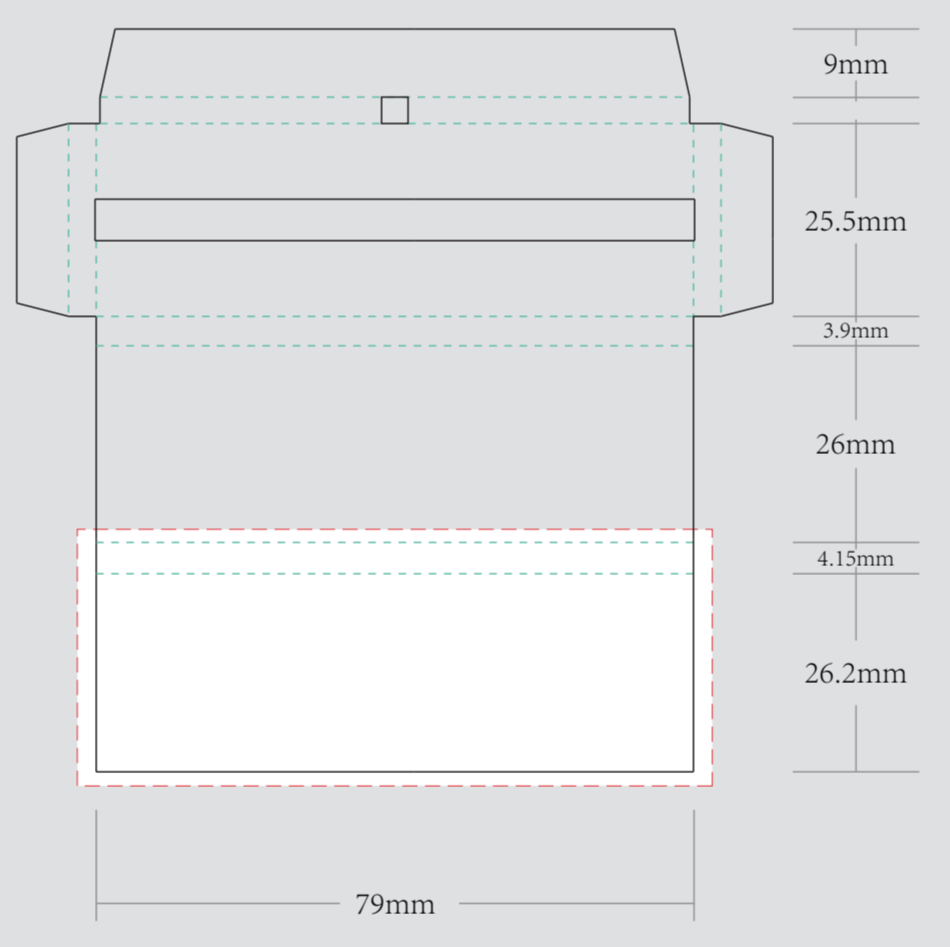
EXAMPLE



BOOKLET OUTSIDE



BOOKLET INSIDE



DISPLAY BOX

