

ORDER DETAILS	
MOCKUP NO.	WYF002
INQUIRY NO.	INQUIRE_V1
ORDER NO.	
PRODUCT DETAILS	
SIZE	ONE & QUARTER SIZE WITH TIPS WRAP BOWTIE
PAPER TYPE	
QUANTITY	
BOX PACKING	16 BOOKLETS A BOX
VALUE ADDITION	
PRINTING EFFECT	CMYK

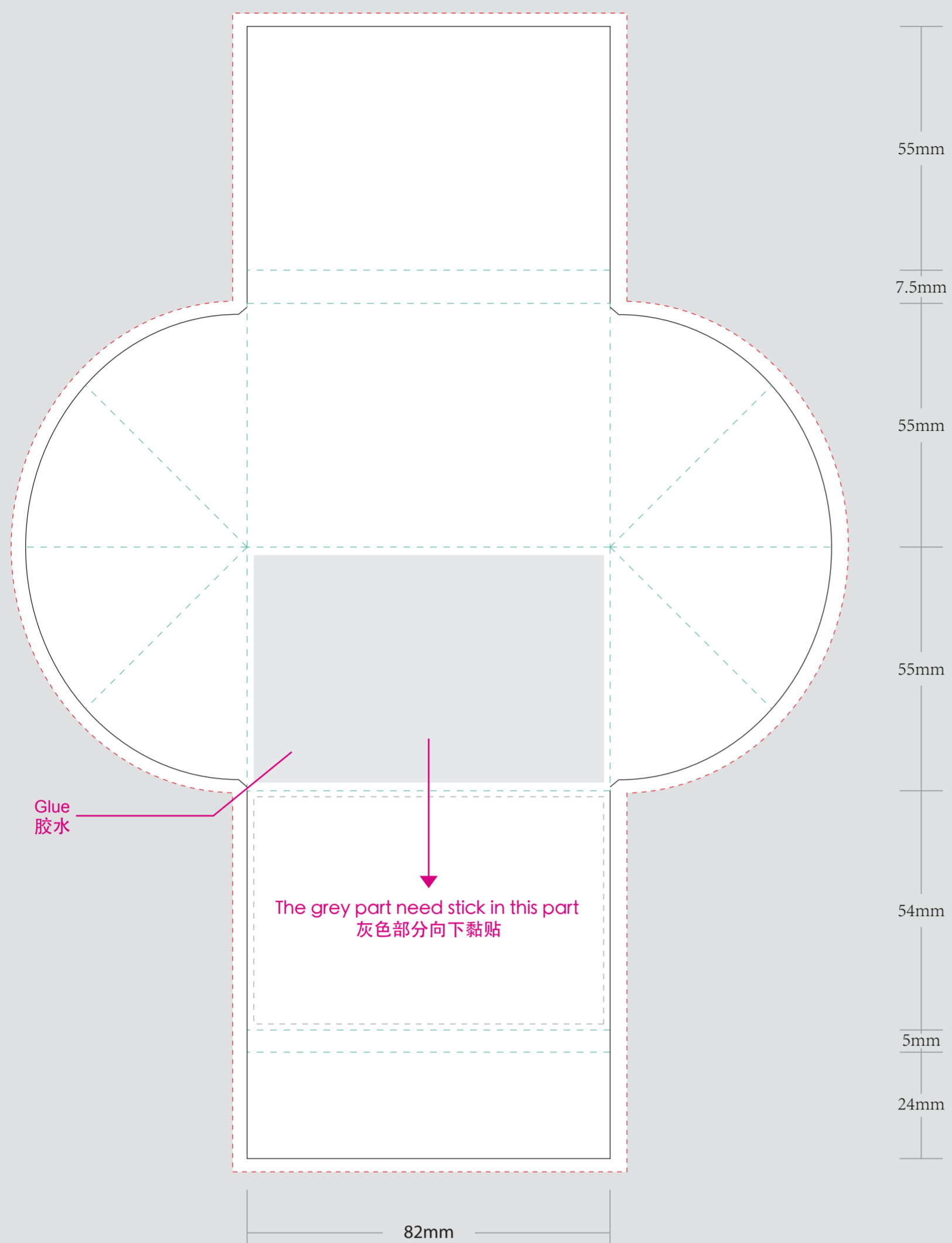
**REMARKS:**  
 - Artwork should be submitted in AI, EPS, PDF, CDR, PSD.  
 - For JPEG, PNG and PSD please submit your artwork with a minimum of 300dpi

Please see the text and graphic direction guideline below.

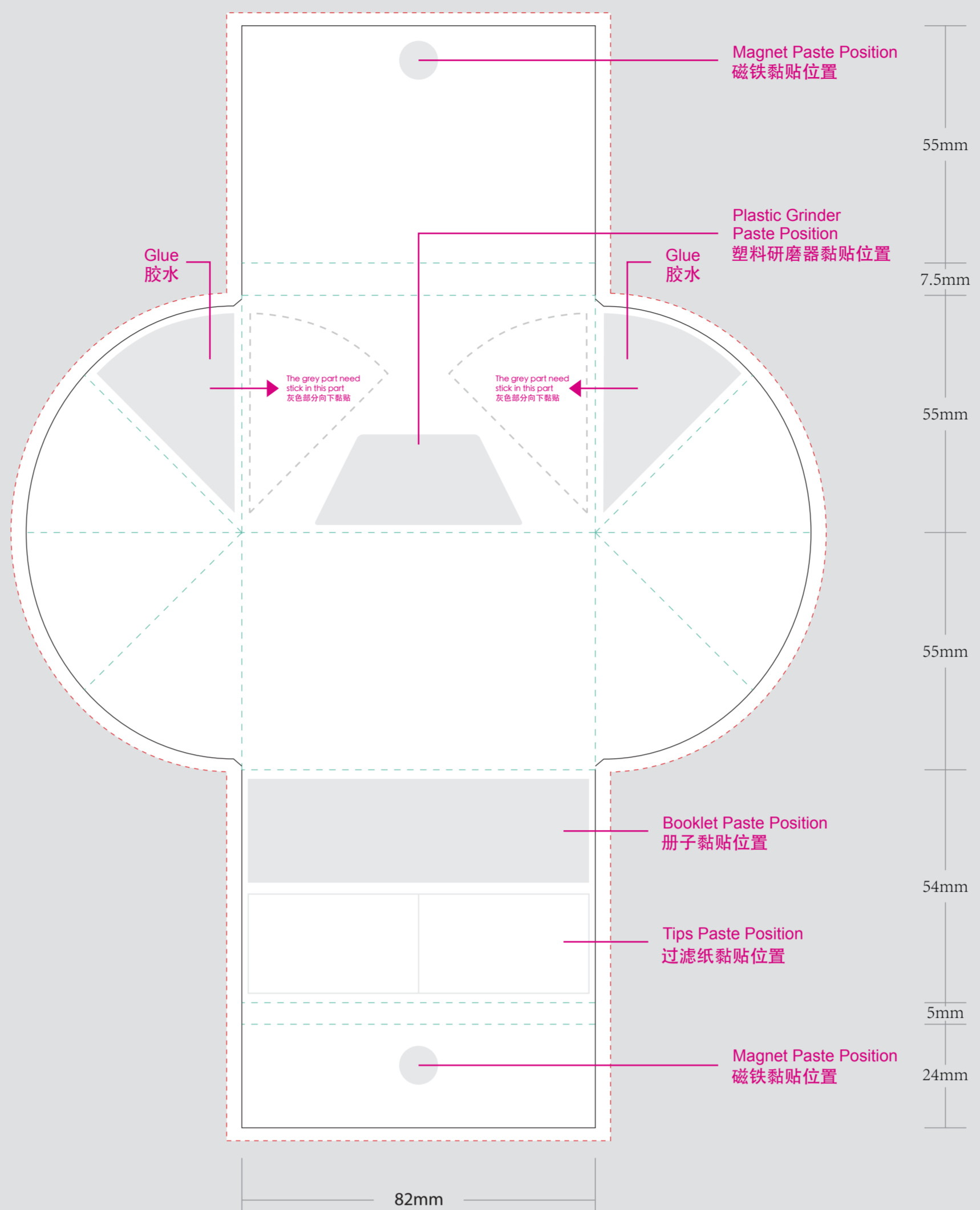
**DIE CUT LINE**  
**FOLD LINE**  
**BLEED LINE**

I accept the artwork and understand that any mistakes or omissions is my responsibility.  
 DATE: .....  
 PRINT NAME: .....  
 APPROVAL SIGNATURE: .....

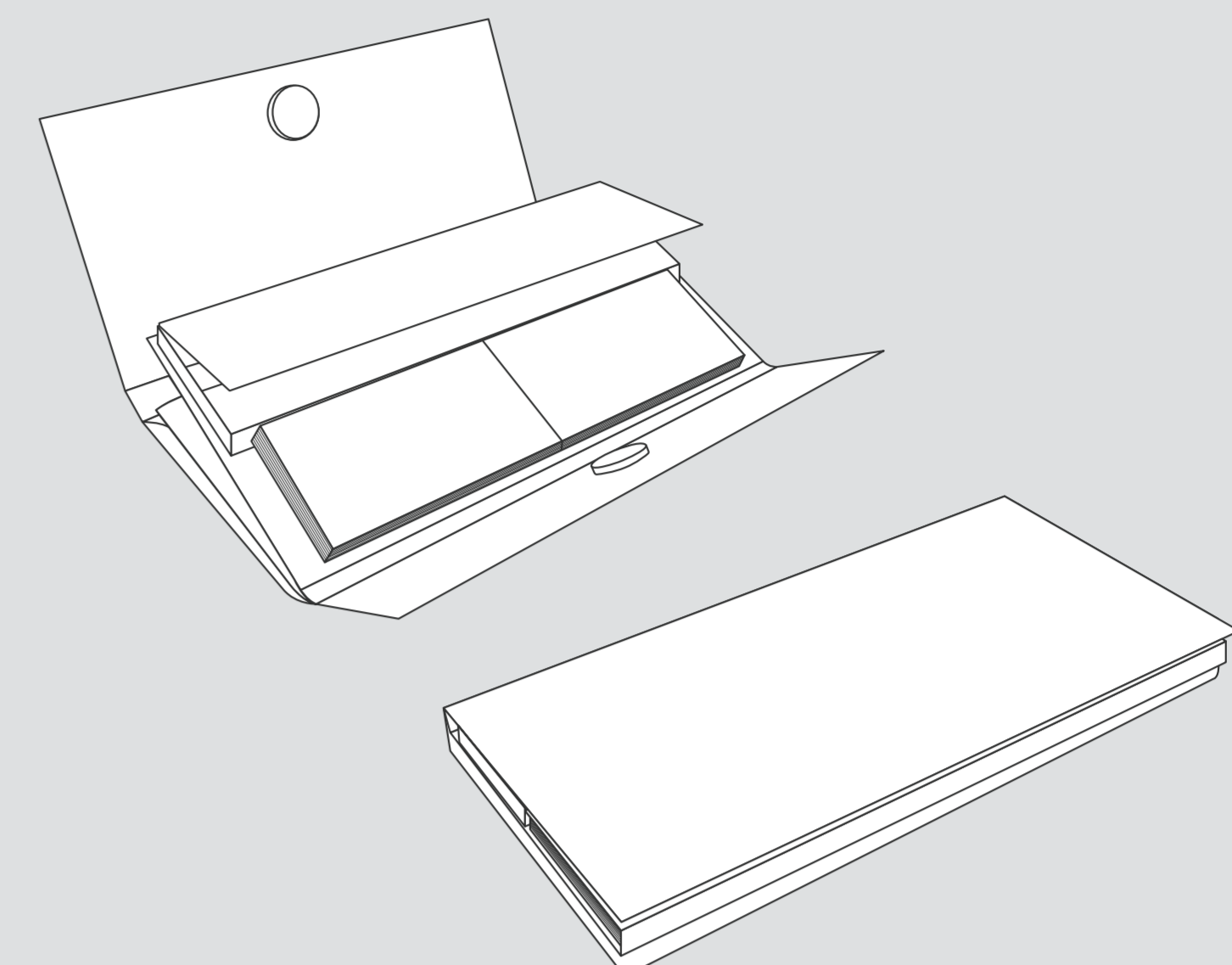
### COVER OUTSIDE



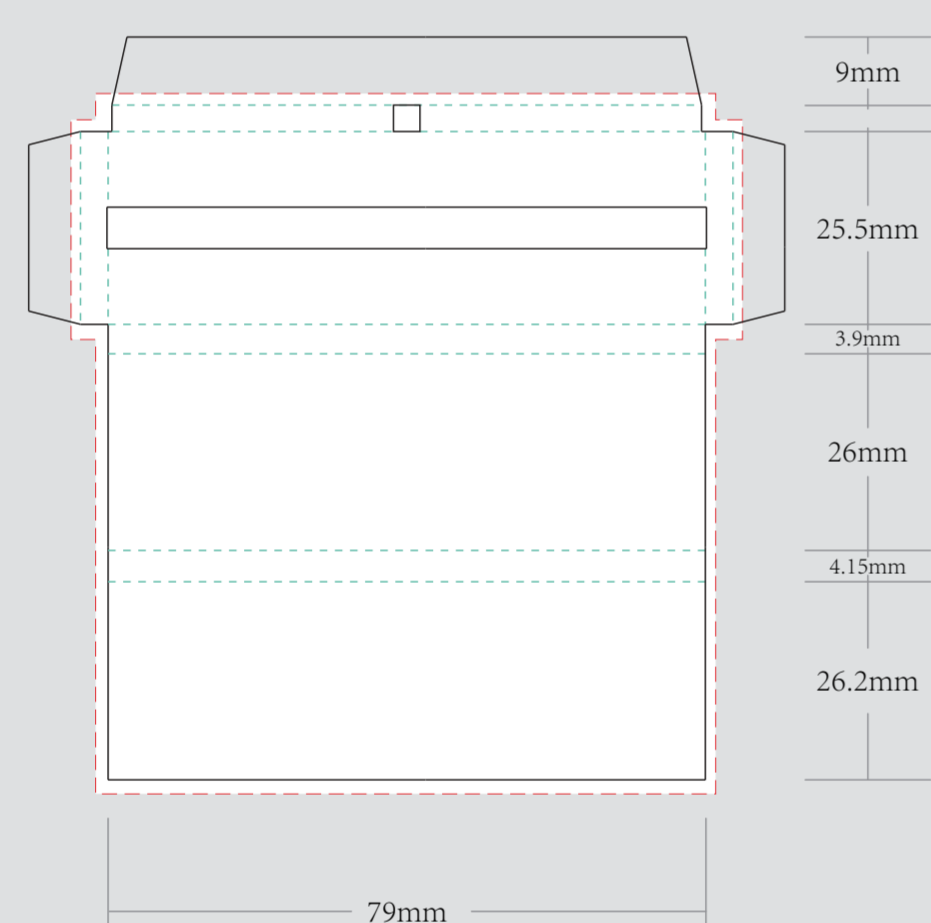
### COVER INSIDE



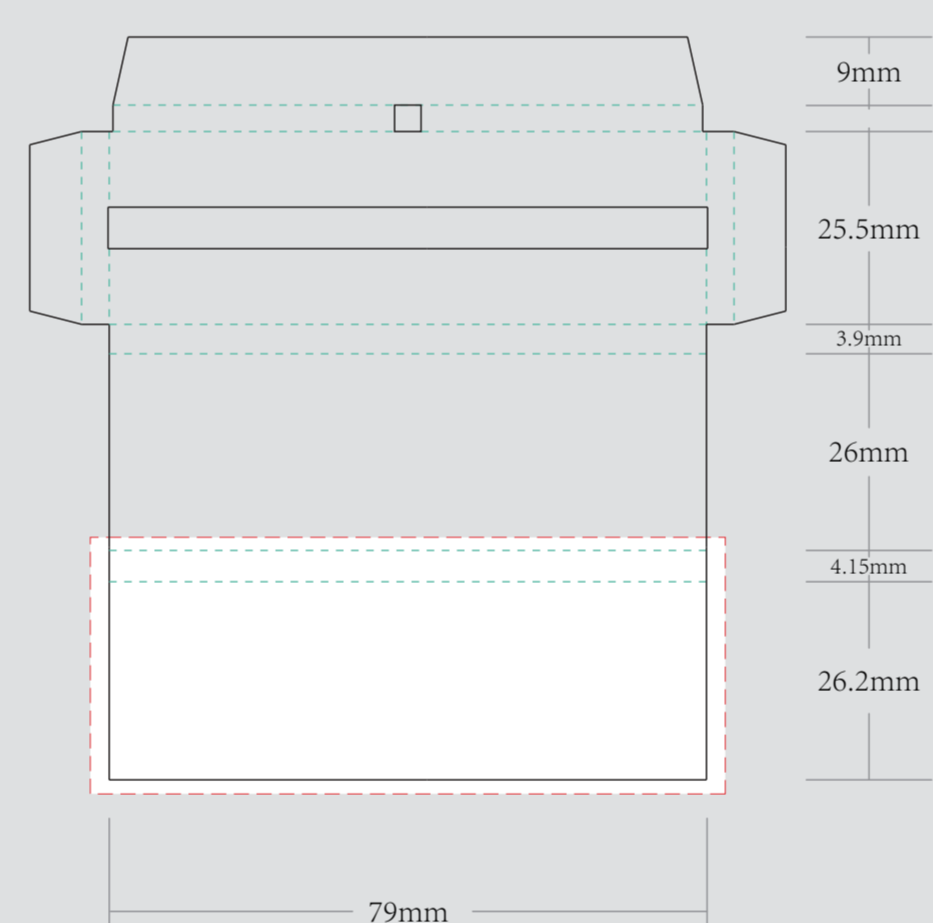
### EXAMPLE



### BOOKLET OUTSIDE



### BOOKLET INSIDE



### DISPLAY BOX

