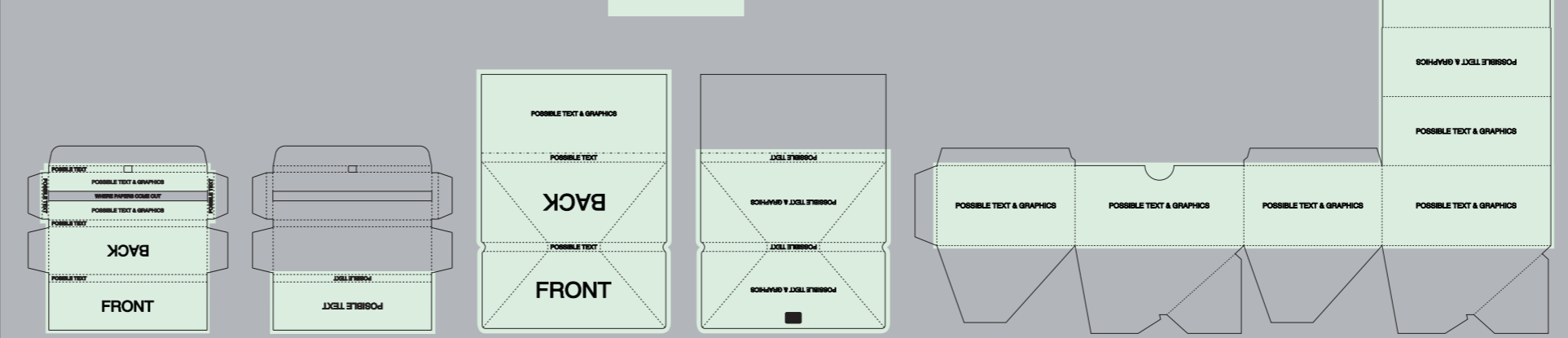


ORDER DETAILS	
MOCKUP NO.	WUFOO.
INQUIRY NO.	INQUIRY_V1
ORDER NO.	
PRODUCT DETAILS	
SIZE	ONE AND QUARTER (OAO-TIPS-REYTRAY-ARTISAN)
PAPER TYPE	
QUANTITY	
BOX PACKING	22 BOOKLETS A BOX
VALUE ADDITION	
PRINTING EFFECT	CMYK

_____ DIE CUT LINE
 - - - - - FOLD LINE
 - - - - - BLEED LINE

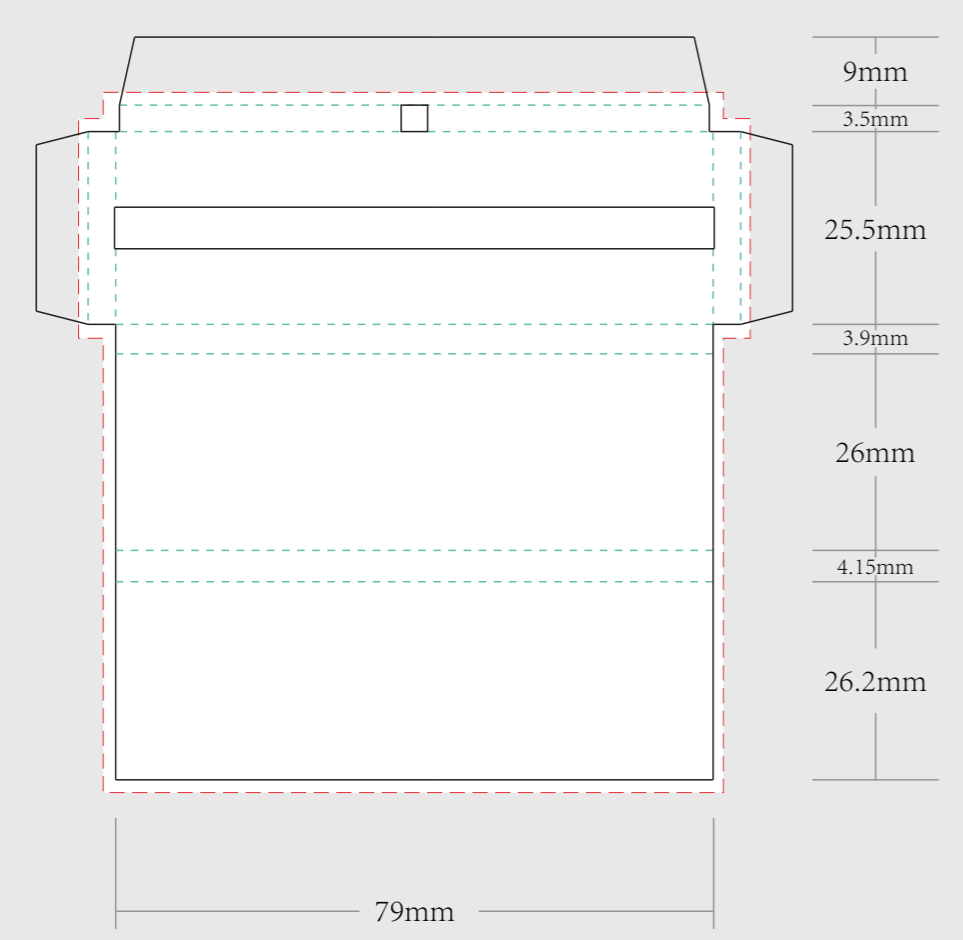
REMARKS:
 - Artwork should be submitted in AI, EPS, PDF, CDR, PSD.
 - For JPEG, PNG and PSD please submit your artwork with a minimum of 300dpi

Please see the text and graphic direction guideline below.

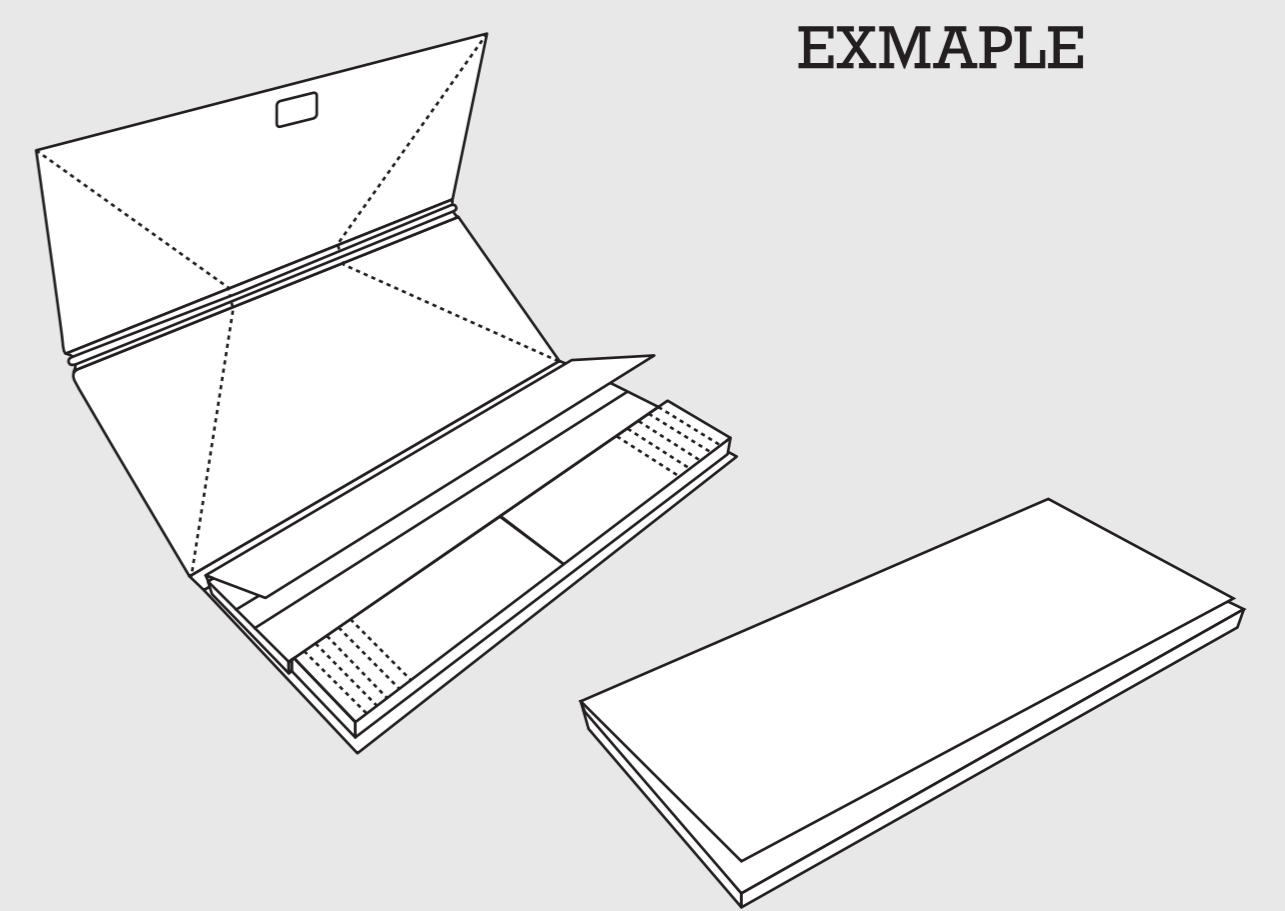
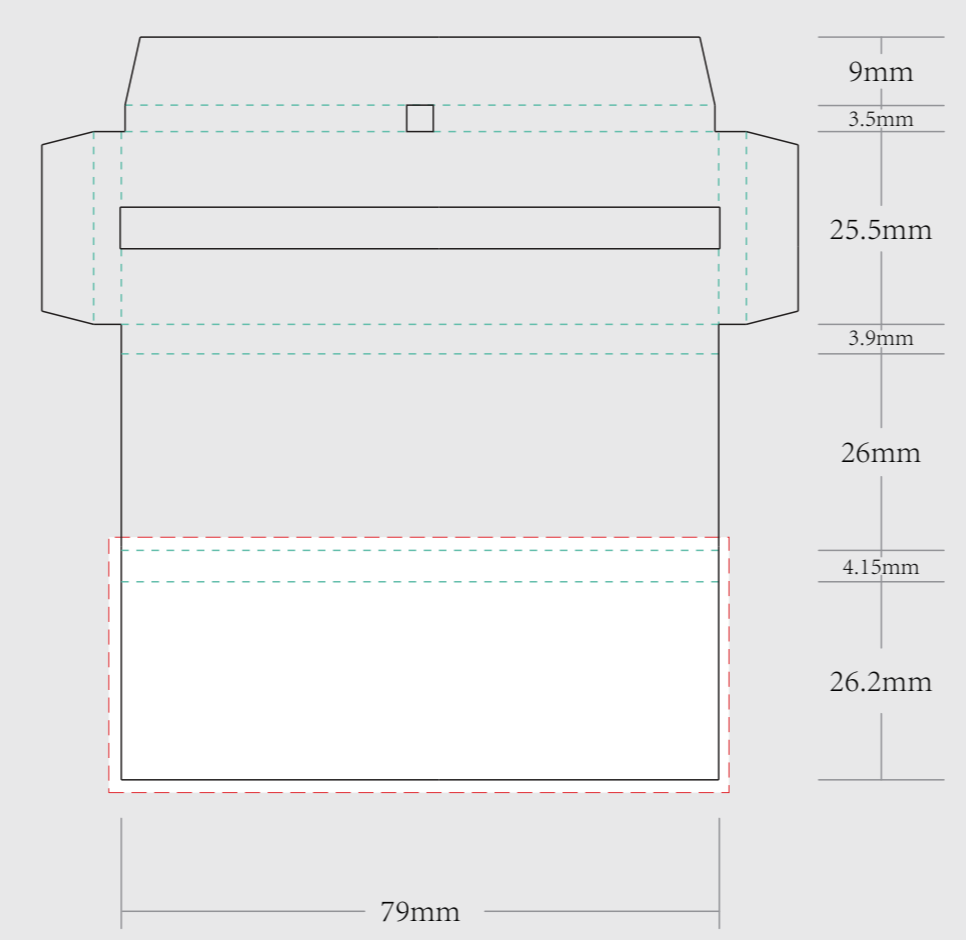


I accept the artwork and understand that any mistakes or omissions is my responsibility.
 DATE:
 PRINT NAME:
 APPROVAL SIGNATURE:

BOOKLET OUTSIDE

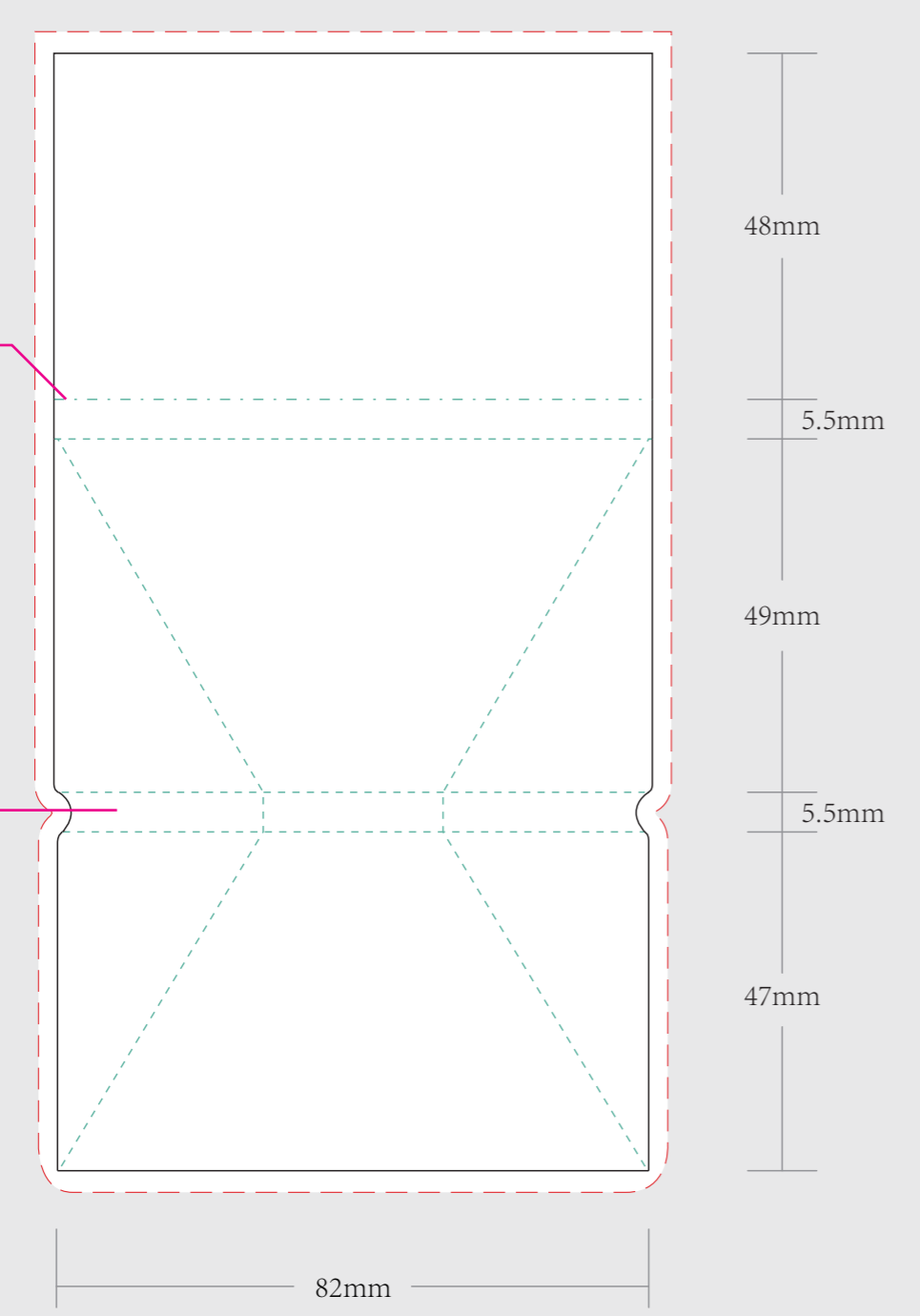


BOOKLET INSIDE



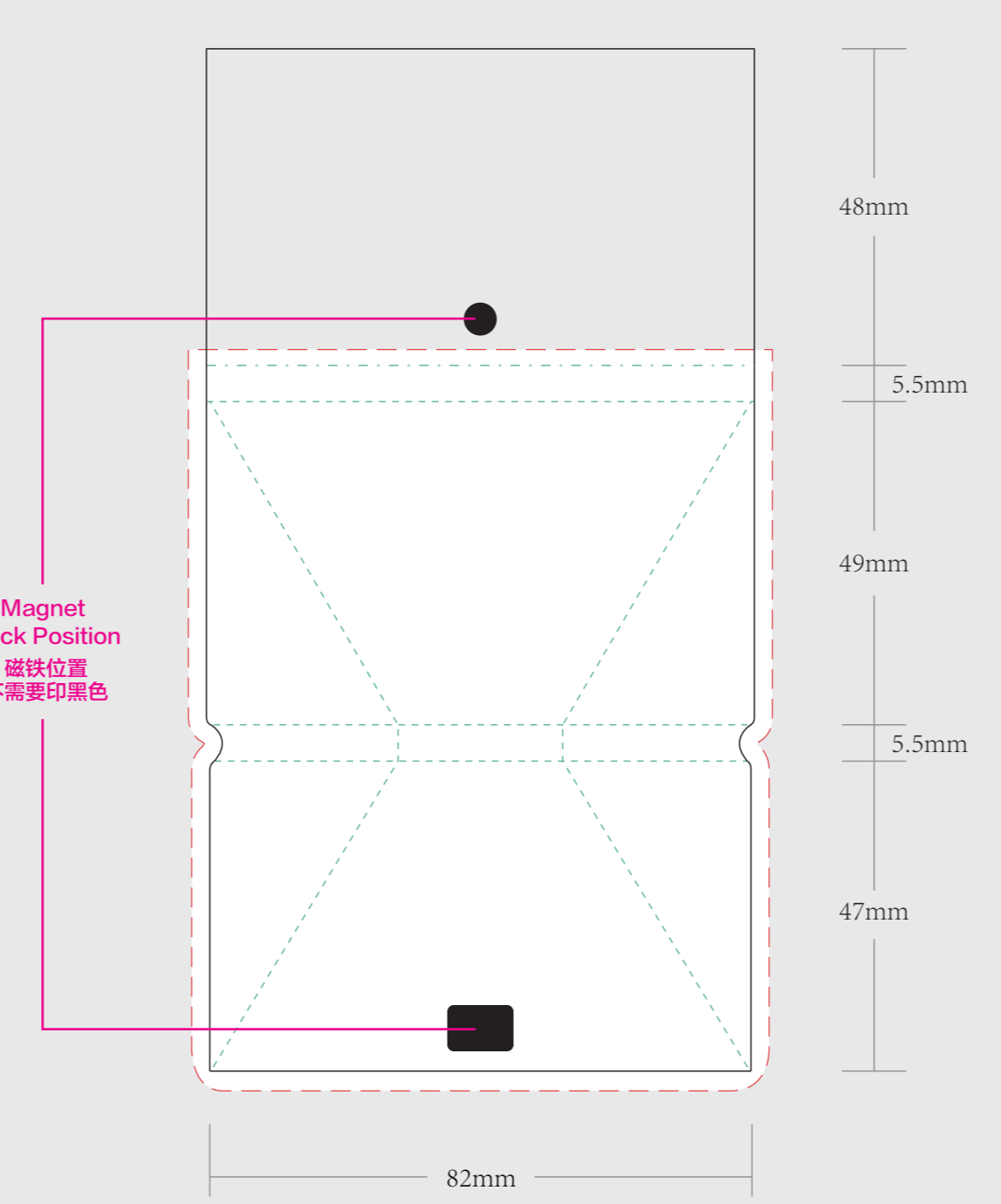
COVER OUTSIDE

This line will making tear line
 这条线需要做撕裂线
 橡皮筋
 套在这个地方

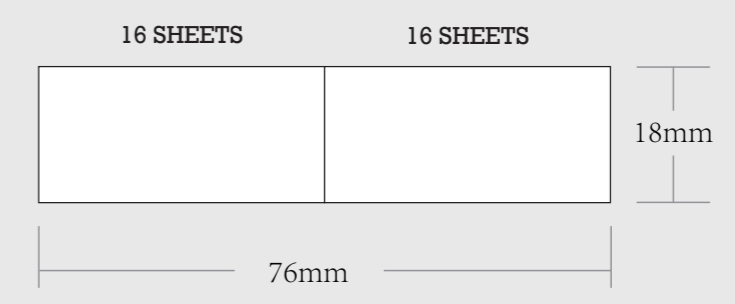


COVER INSIDE

Magnet Stick Position
 磁铁位置
 不需要印黑色



TIPS



NO PRINTING

DISPLAY BOX

