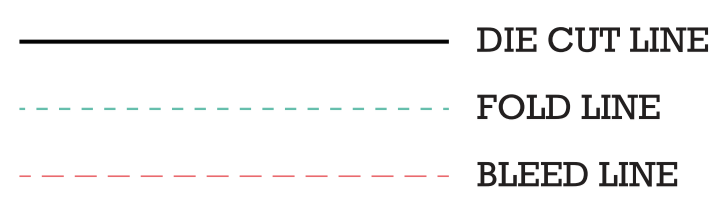


ORDER DETAILS	
MOCKUP NO.	WUFOG.
INQUIRY NO.	INQUIRY_V1
ORDER NO.	
PRODUCT DETAILS	
SIZE	BOBBIN ROLL WITH TIPS (BOB-TIPS)
PAPER TYPE	
QUANTITY	
BOX PACKING	24 BOBBINS A BOX
VALUE ADDITION	
PRINTING EFFECT	CMYK



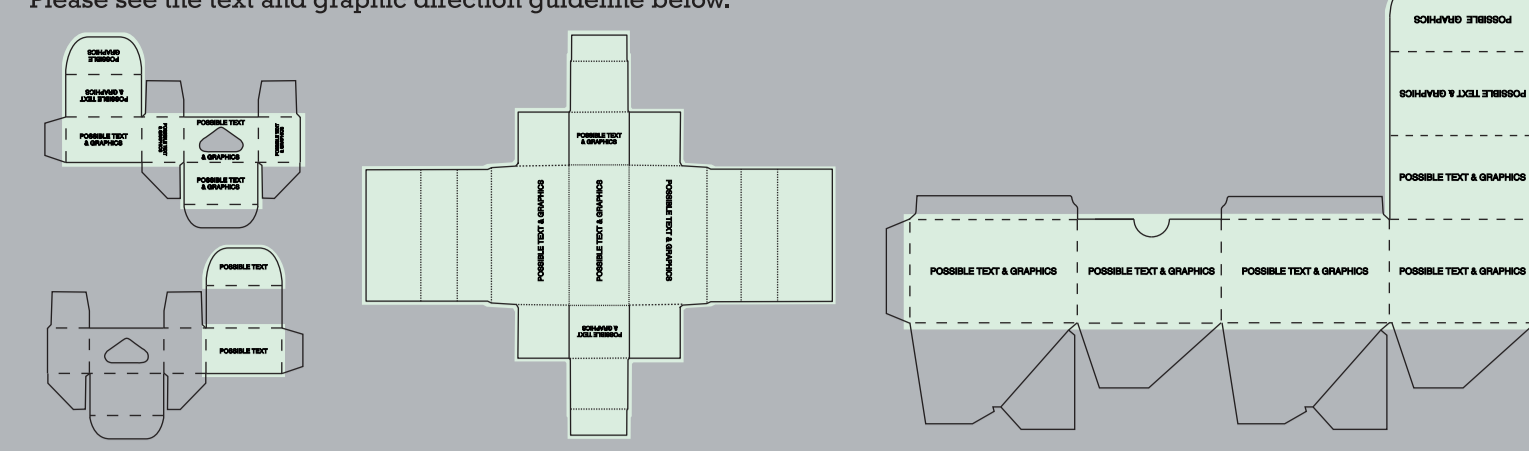
DIE CUT LINE

FOLD LINE

BLEED LINE

REMARKS:
 - Artwork should be submitted in AI, EPS, PDF, CDR, PSD.
 - For JPEG, PNG and PSD please submit your artwork with a minimum of 300dpi

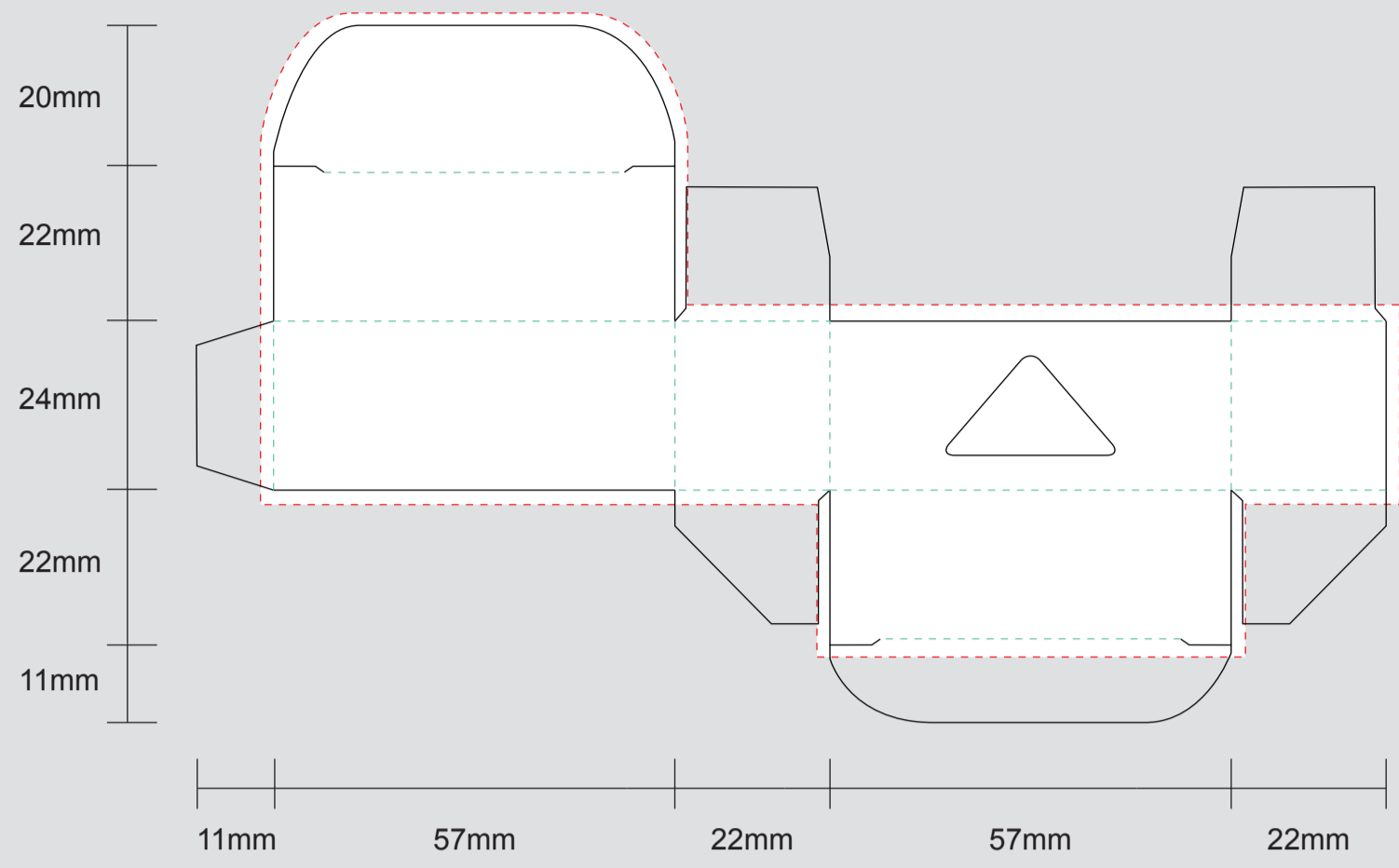
Please see the text and graphic direction guideline below.



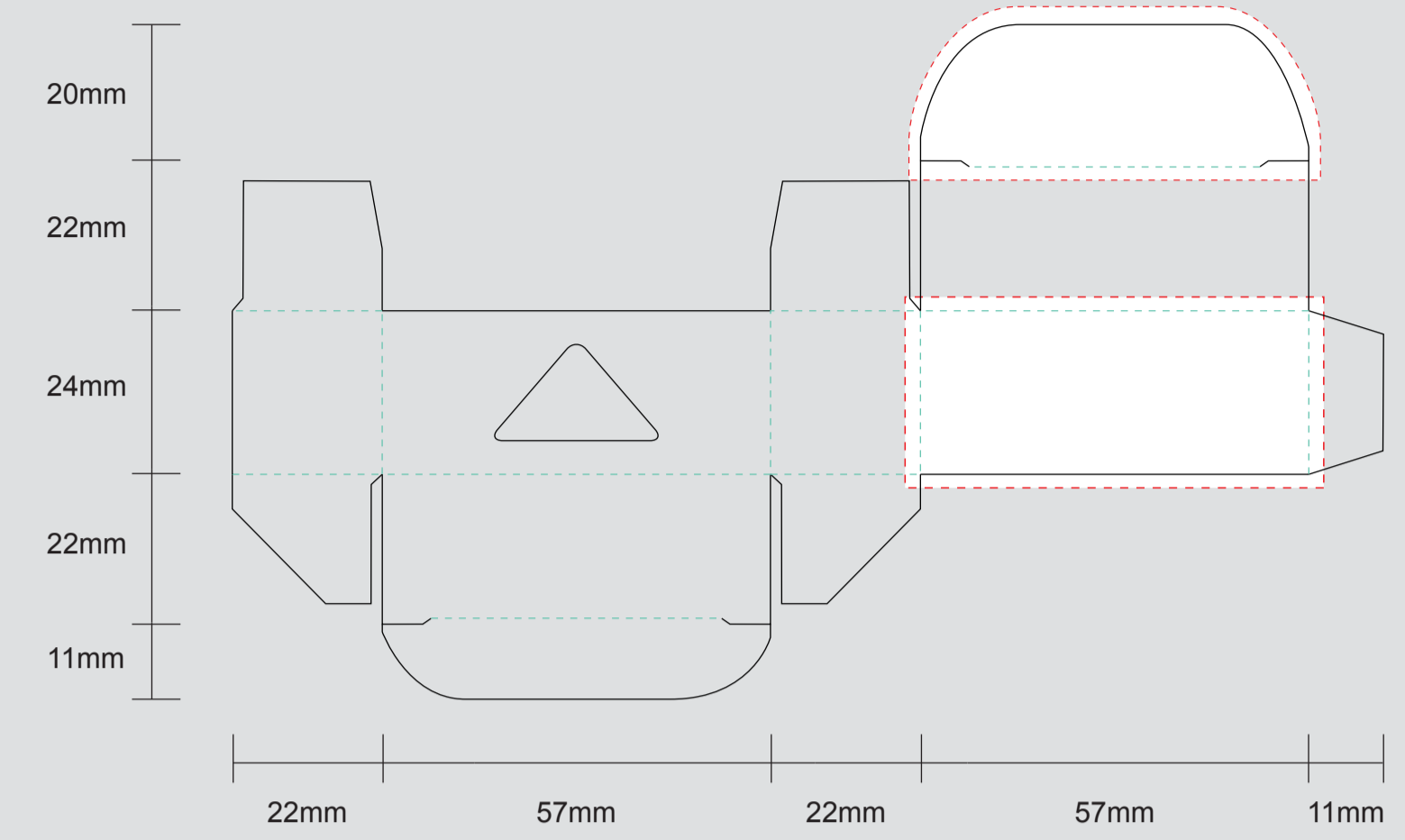
VISIBLE AREA

I accept the artwork and understand that any mistakes or omissions is my responsibility.
 DATE:
 PRINT NAME:
 APPROVAL SIGNATURE:

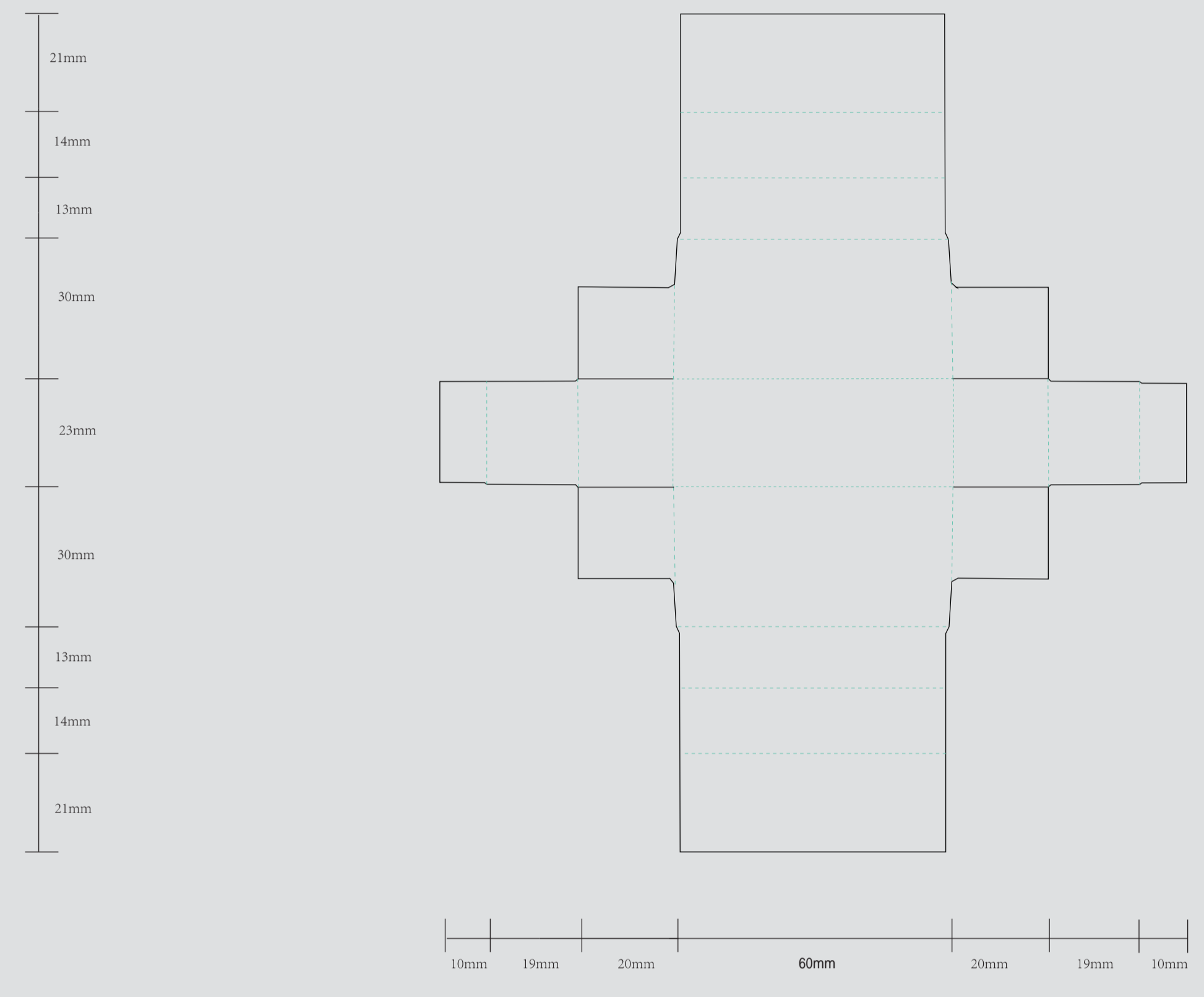
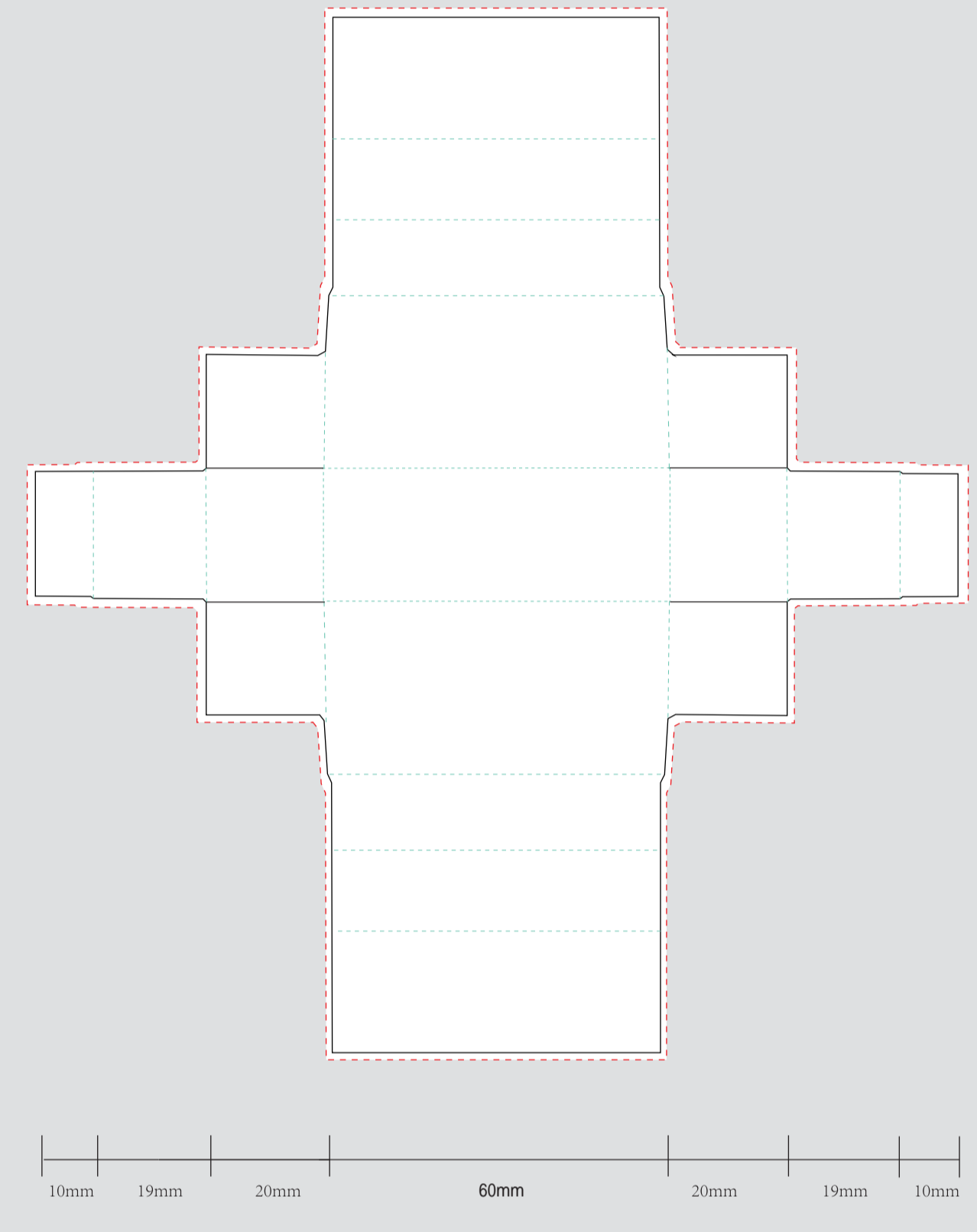
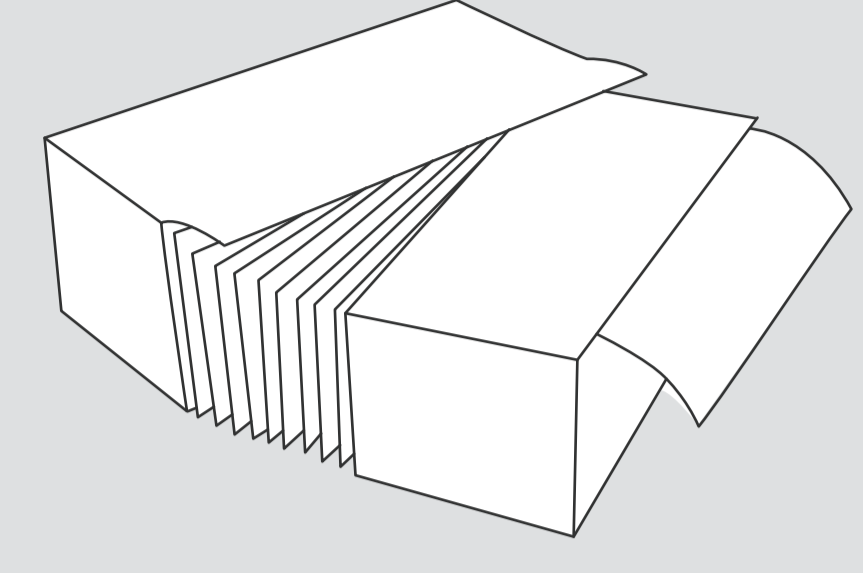
OUTSIDE



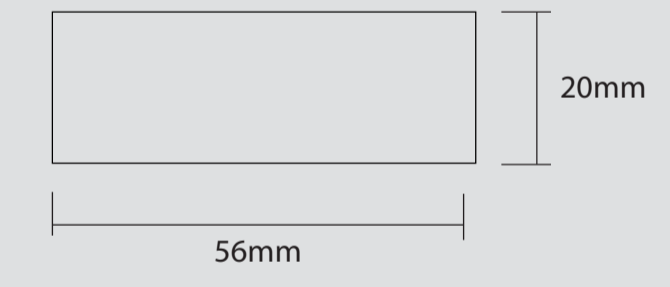
INSIDE



EXAMPLE



TIPS



DISPLAY BOX

