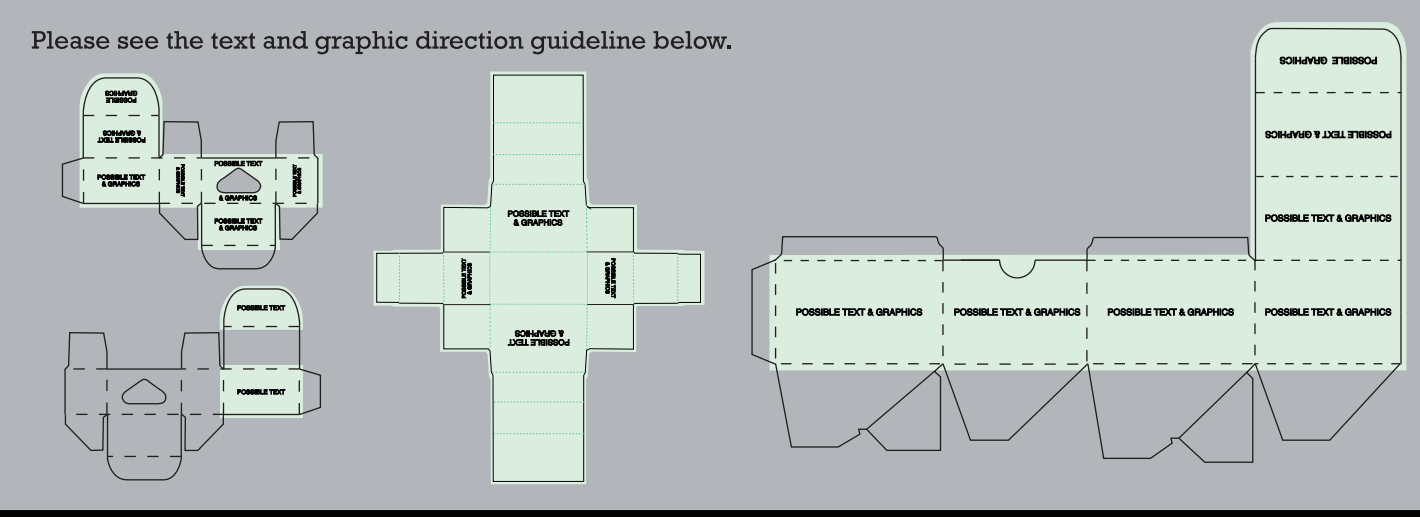


| ORDER DETAILS | |
|-----------------|----------------------------------|
| MOCKUP NO. | WUFOO. |
| INQUIRY NO. | INQUIRY_V1 |
| ORDER NO. | |
| PRODUCT DETAILS | |
| SIZE | BOBBIN ROLL WITH TIPS (BOB-TIPS) |
| PAPER TYPE | |
| QUANTITY | |
| BOX PACKING | 24 BOBBINS A BOX |
| VALUE ADDITION | |
| PRINTING EFFECT | CMYK |

_____ DIE CUT LINE
 - - - - - FOLD LINE
 - - - - - BLEED LINE

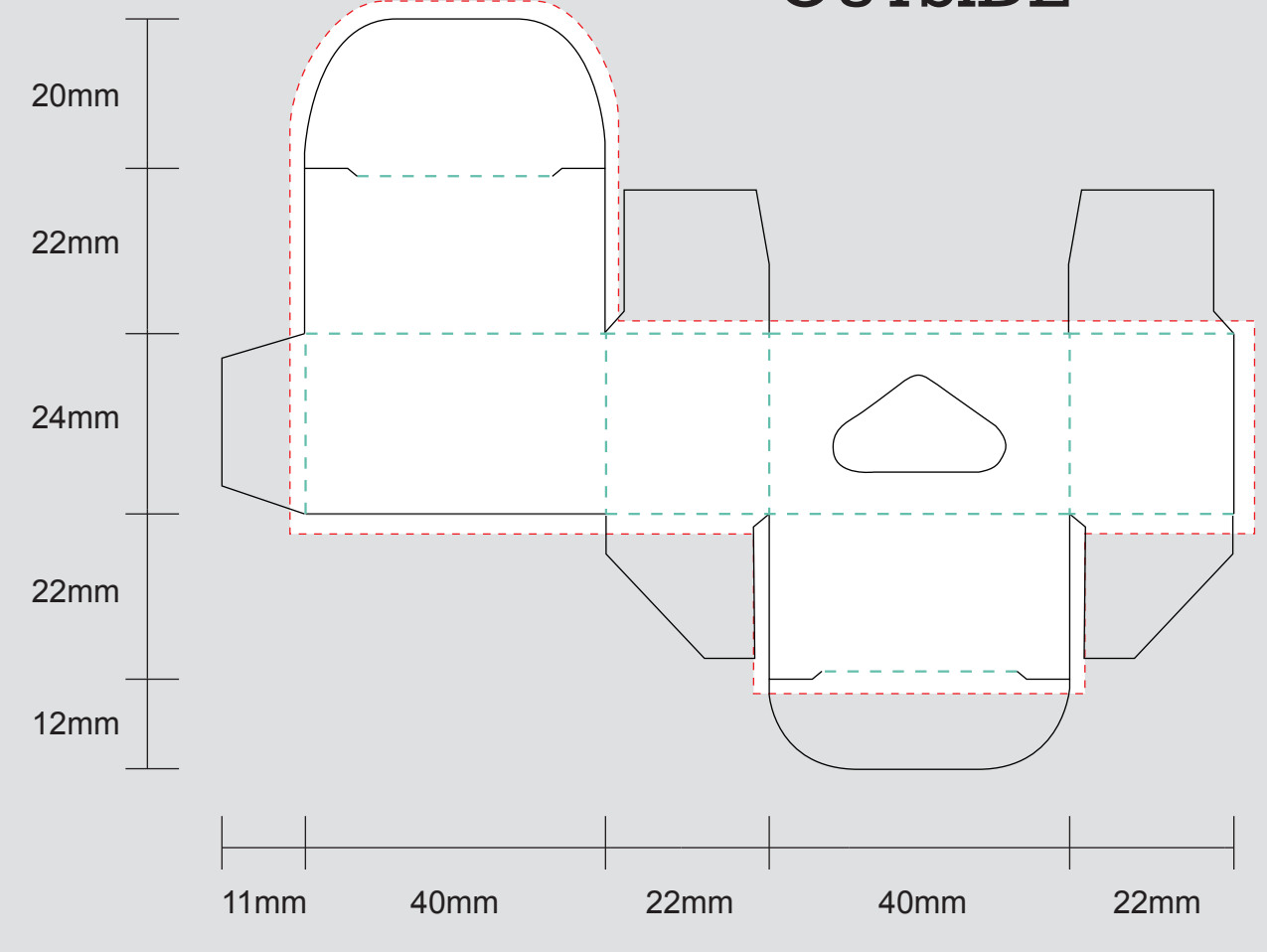
REMARKS:
 - Artwork should be submitted in AI, EPS, PDF, CDR, PSD.
 - For JPEG, PNG and PSD please submit your artwork with a minimum of 300dpi



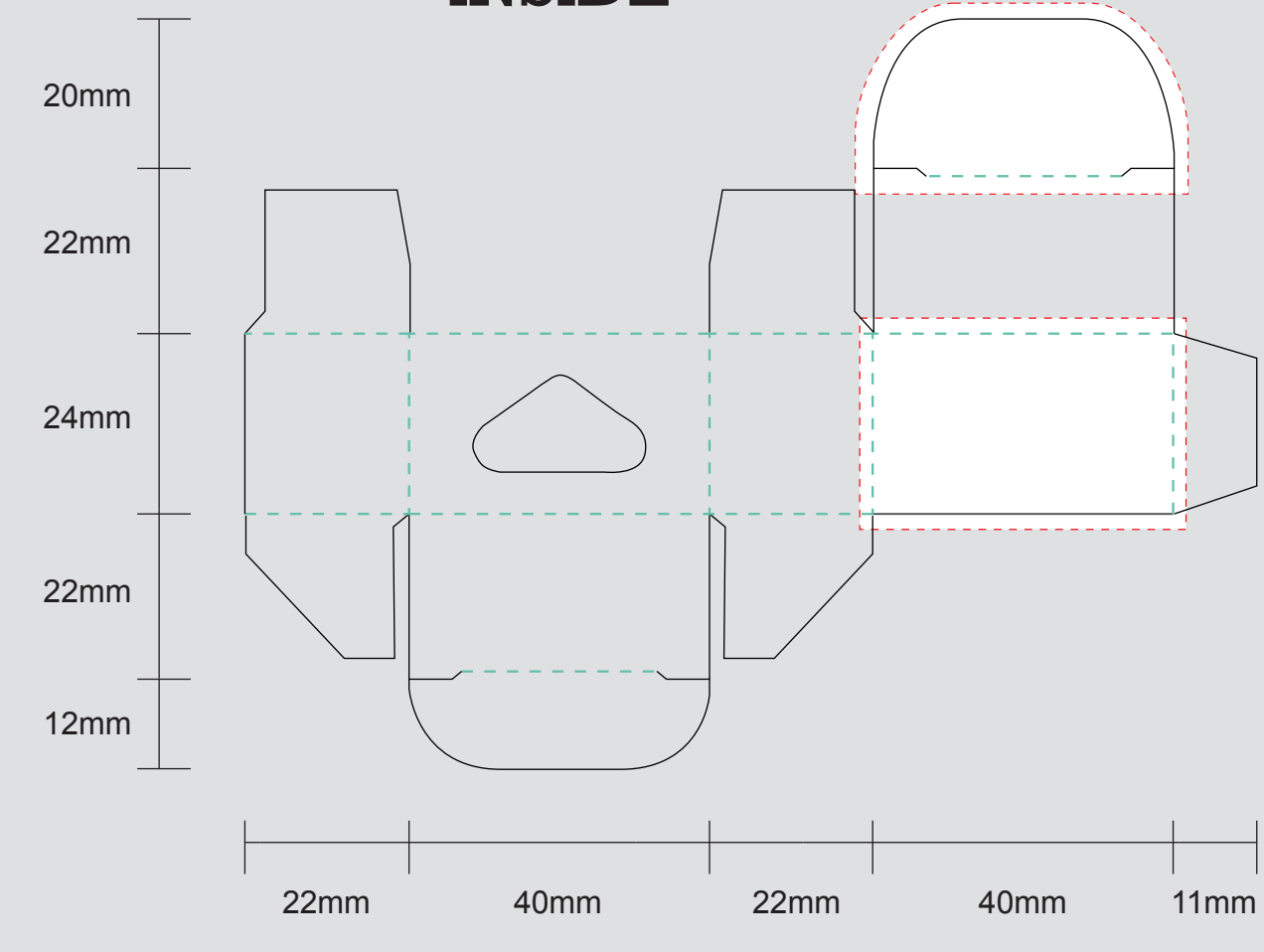
VISIBLE AREA

I accept the artwork and understand that any mistakes or omissions is my responsibility.
 DATE:
 PRINT NAME:
 APPROVAL SIGNATURE:

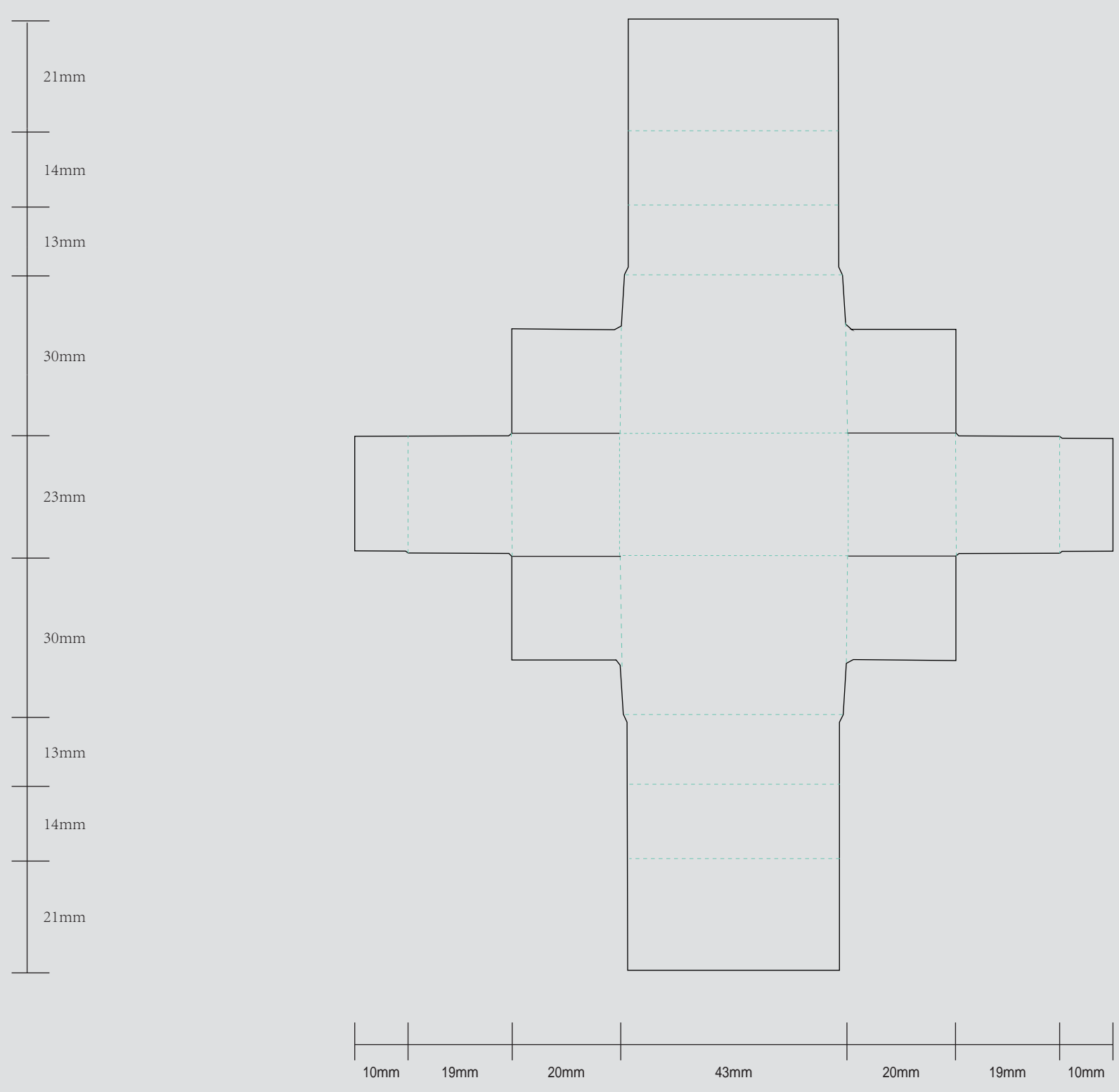
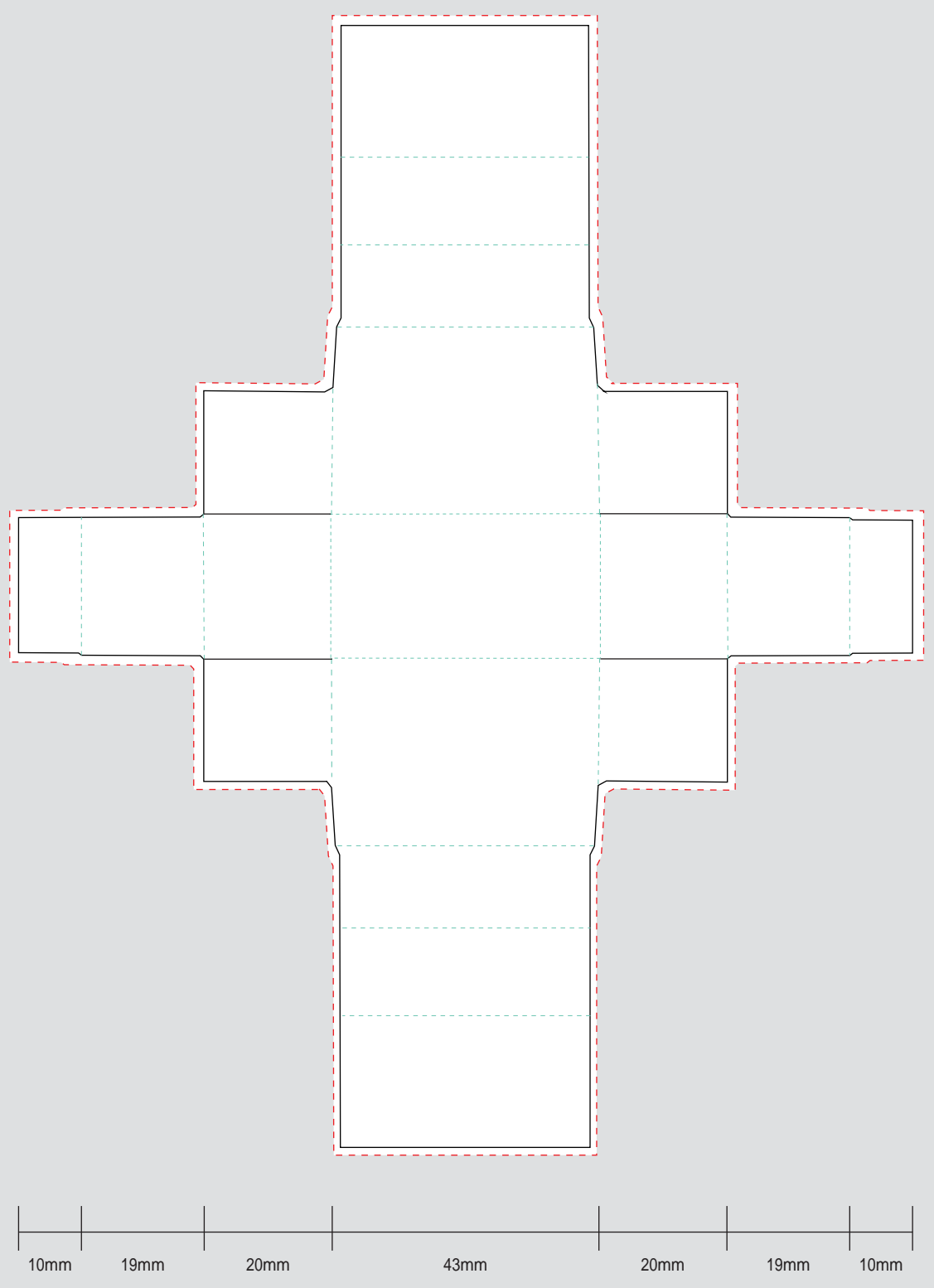
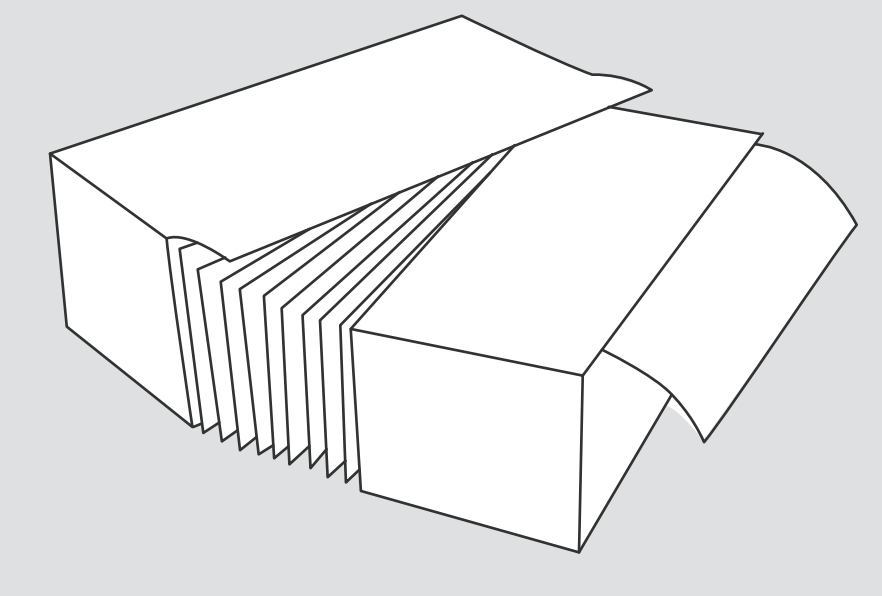
OUTSIDE



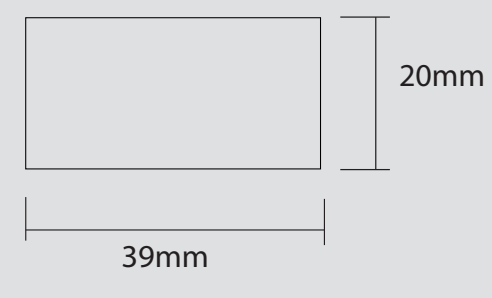
INSIDE



EXAMPLE



TIPS



DISPLAY BOX

