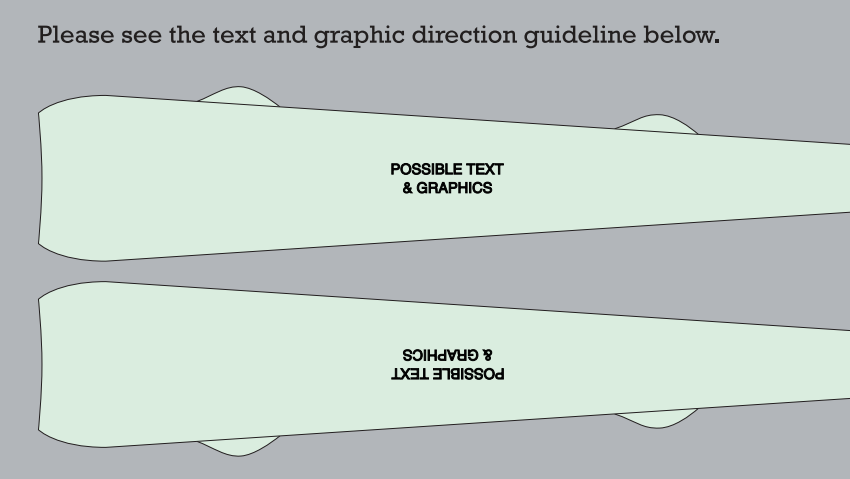


ORDER DETAILS	
MOCKUP NO.	WIP00
MOCKUP NO.	WORKER-VI
ORDER NO.	
PRODUCT DETAILS	
SIZE	500MM
QUANTITY	
FILE FORMAT	
VALUE ADDED TAX	
PRINTING EFFECT	CMYK

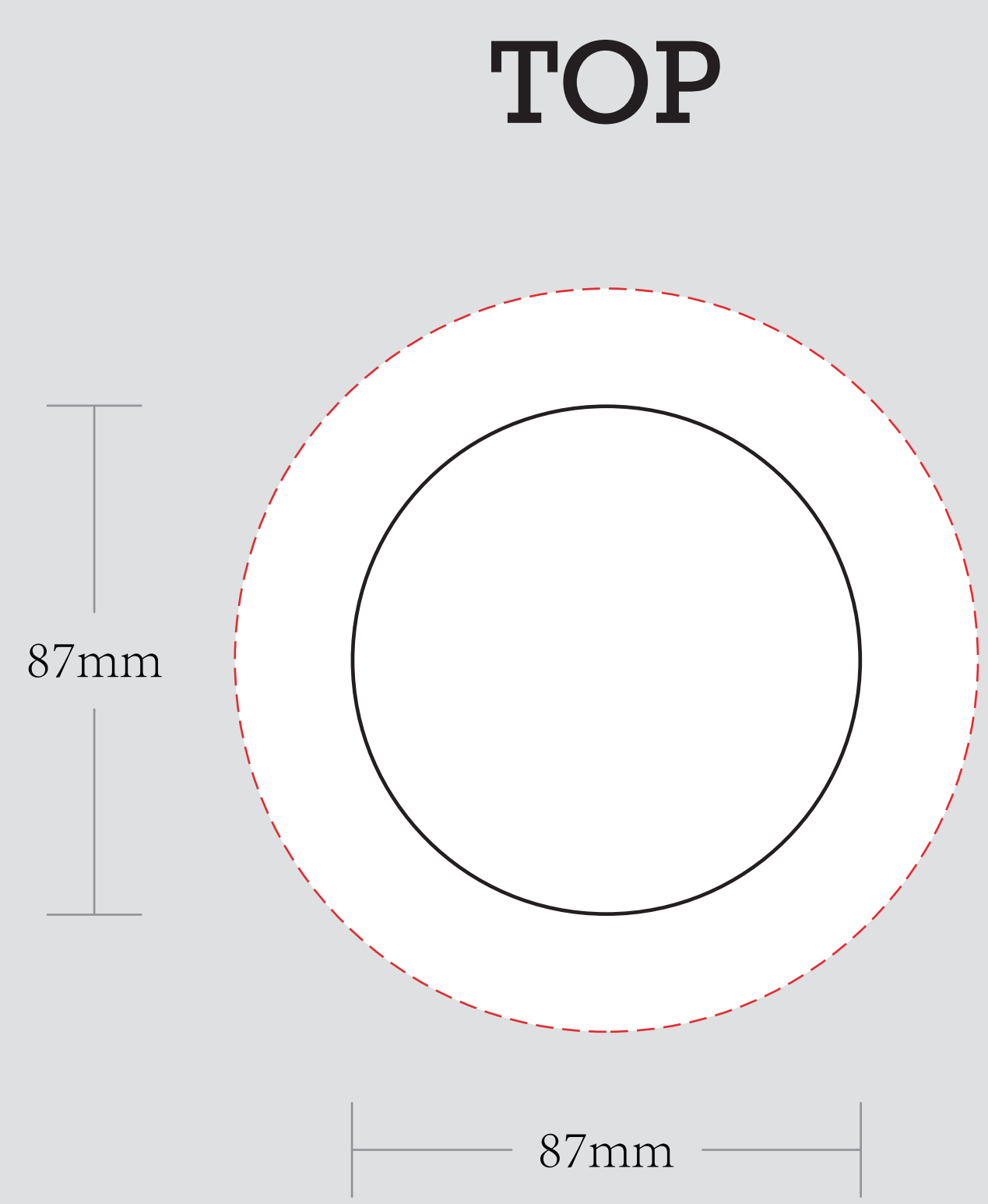
**DIE CUT LINE**  
**BLEED LINE**

REMARKS:  
 - Artwork should be submitted in AI, EPS, PDF, CDR, PSD.  
 - For JPEG, PNG and PSD please submit your artwork with a minimum of 300dpi.

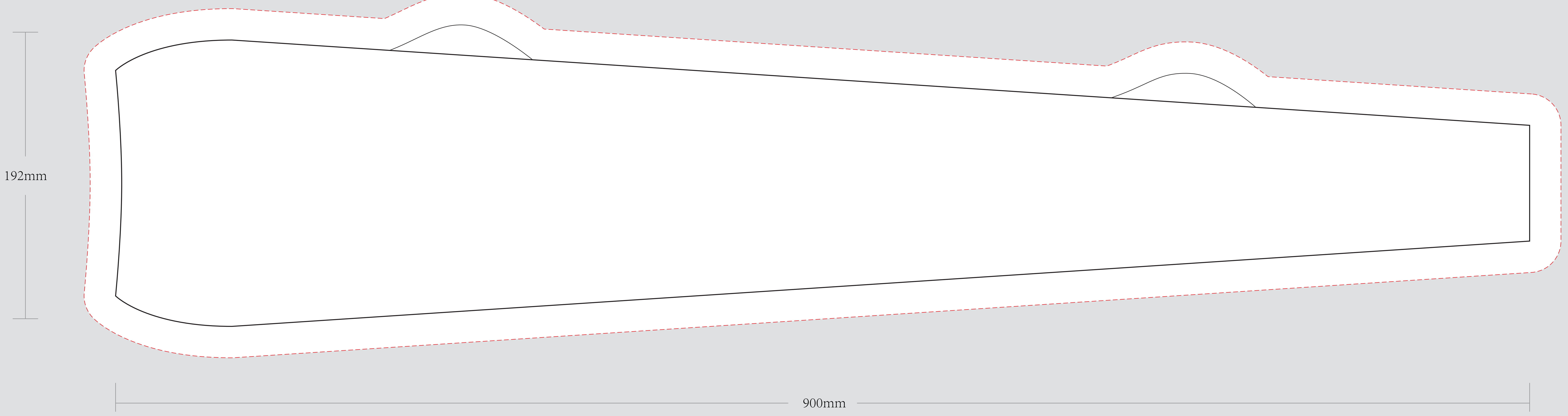


VISIBLE AREA

I accept the artwork and understand that any mistakes or omissions is my responsibility.  
 DATE: .....  
 PRINT NAME: .....  
 APPROVAL SIGNATURE: .....



**FRONT**



**EXAMPLE**



**BACK**

