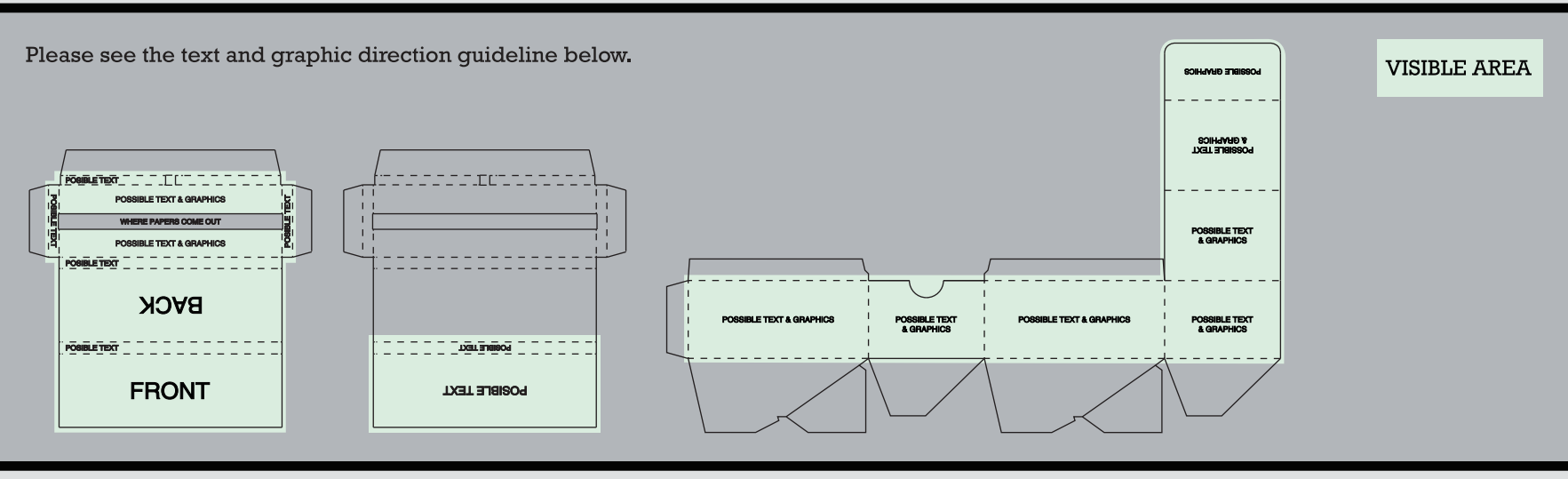


ORDER DETAILS	
MOCKUP NO.	WUFOO.
INQUIRY NO.	INQUIRY.V1
ORDER NO.	
PRODUCT DETAILS	
SIZE	ONE AND A QUARTER SIZE (O&Q)
PAPER TYPE	
QUANTITY	
BOX PACKING	50 BOOKLETS A BOX
VALUE ADDITION	
PRINTING EFFECT	CMYK

_____ DIE CUT LINE
 - - - - - FOLD LINE
 - - - - - BLEED LINE

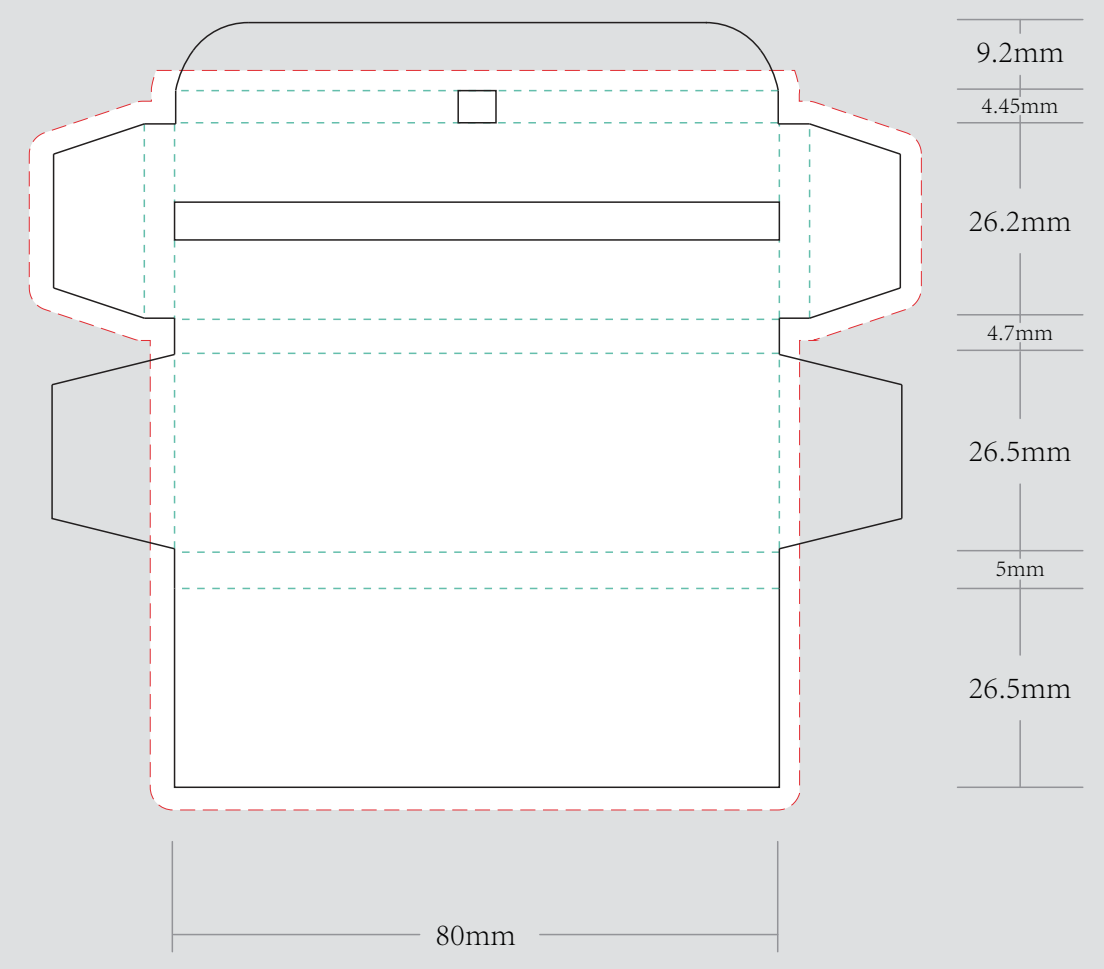
REMARKS:
 - Artwork should be submitted in AI, EPS, PDF, CDR, PSD.
 - For JPEG, PNG and PSD please submit your artwork with a minimum of 300dpi



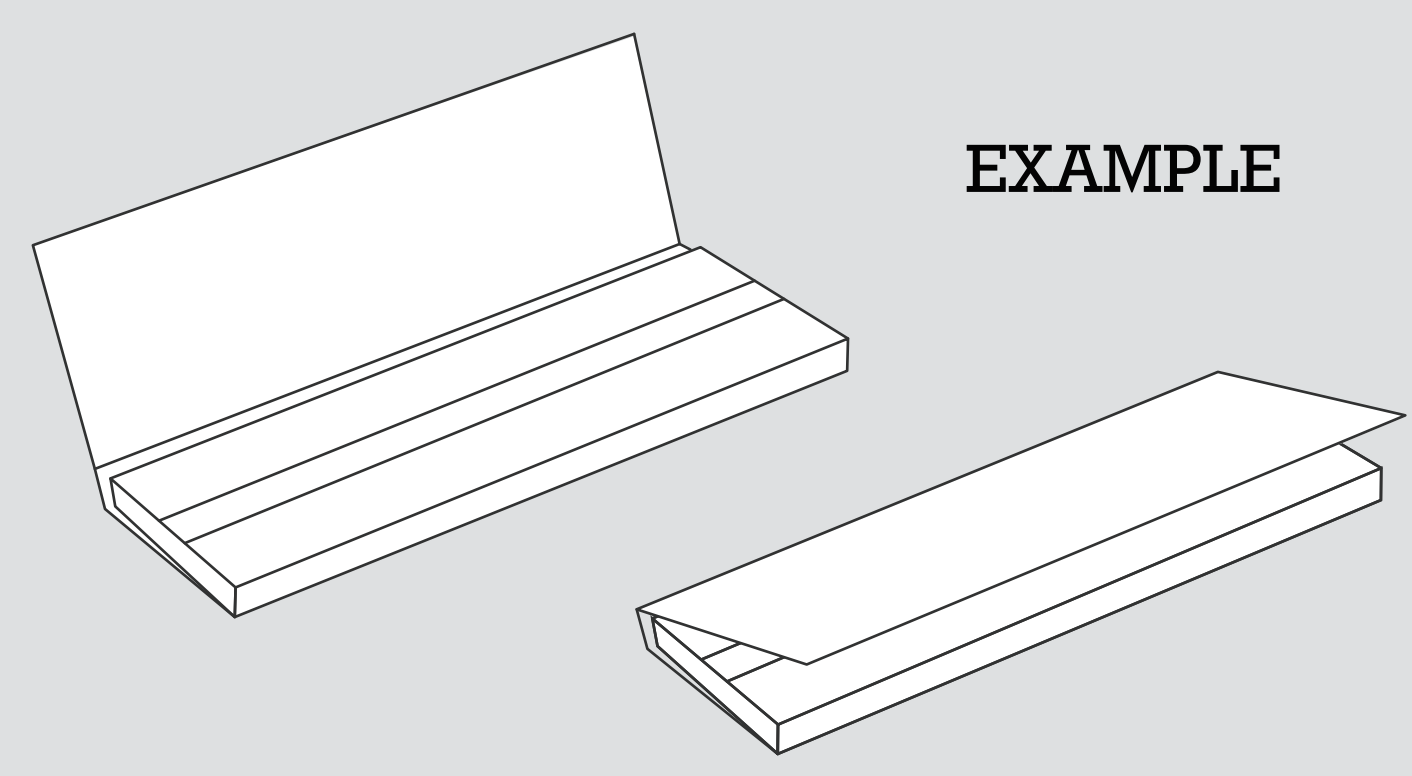
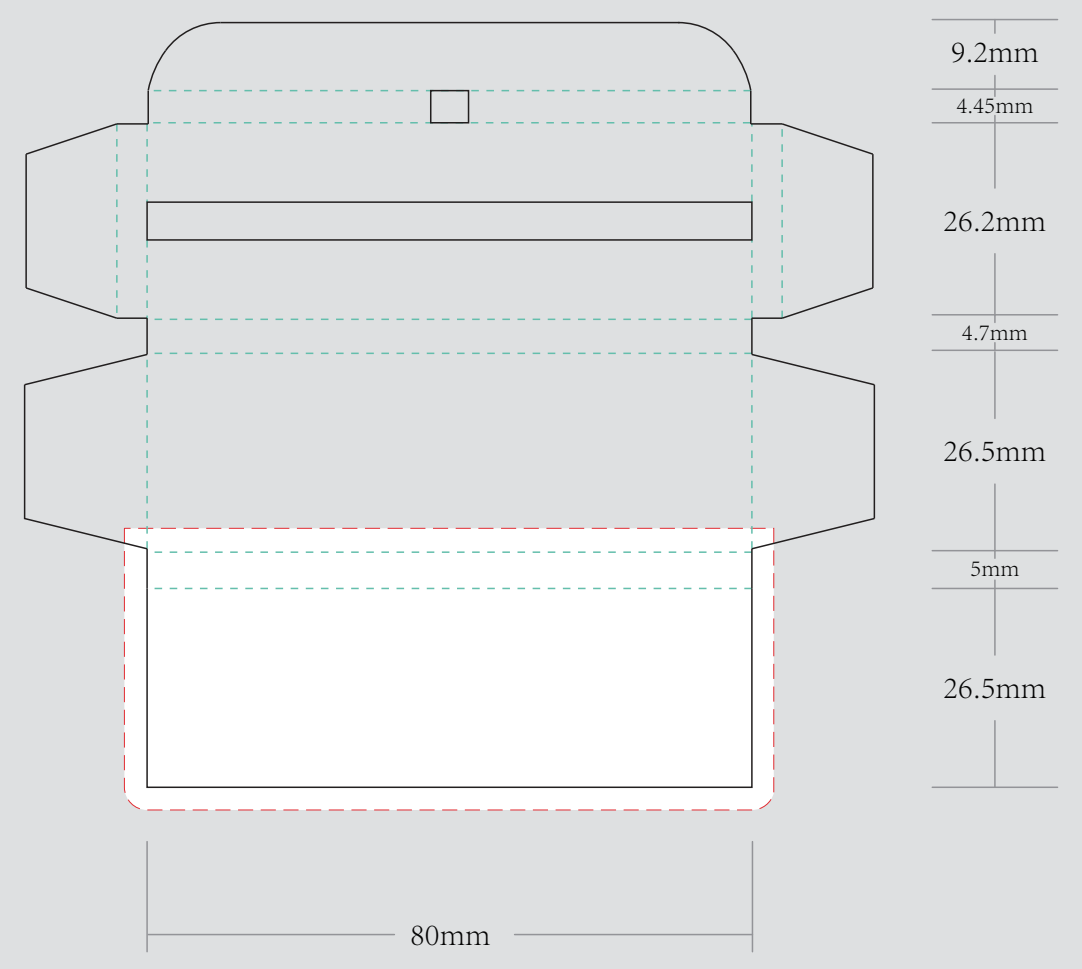
I accept the artwork and understand that any mistakes or omissions is my responsibility.

DATE:
 PRINT NAME:
 APPROVAL SIGNATURE:

OUTSIDE



INSIDE



EXAMPLE

DISPLAY BOX

THIS LINE MAKING TEAR LINE
这条线做撕裂线

THIS LINE MAKING TEAR LINE
这条线做撕裂线

