

ORDER DETAILS	
MOCKUP NO.	WUFOO.
INQUIRY NO.	INQUIRY..V1
ORDER NO.	
PRODUCT DETAILS	
SIZE	KING SLIM SIZE (KSS)
PAPER TYPE	
QUANTITY	
BOX PACKING	80 BOOKLETS A BOX
VALUE ADDITION	
PRINTING EFFECT	CMYK

_____ DIE CUT LINE
 - - - - - FOLD LINE
 - - - - - BLEED LINE

REMARKS:
 - Artwork should be submitted in AI, EPS, PDF, CDR, PSD.
 - For JPEG, PNG and PSD please submit your artwork with a minimum of 300dpi

Please see the text and graphic direction guideline below.

Possible text and graphics labels in the diagrams include: "POSSIBLE TEXT & GRAPHICS", "POSSIBLE PAPER CORE CUT", "BACK", "FRONT", "POSSIBLE TEXT", "VISIBLE AREA", "POSSIBLE TEXT & GRAPHICS", "POSSIBLE TEXT & GRAPHICS", "POSSIBLE TEXT & GRAPHICS", "POSSIBLE TEXT & GRAPHICS".

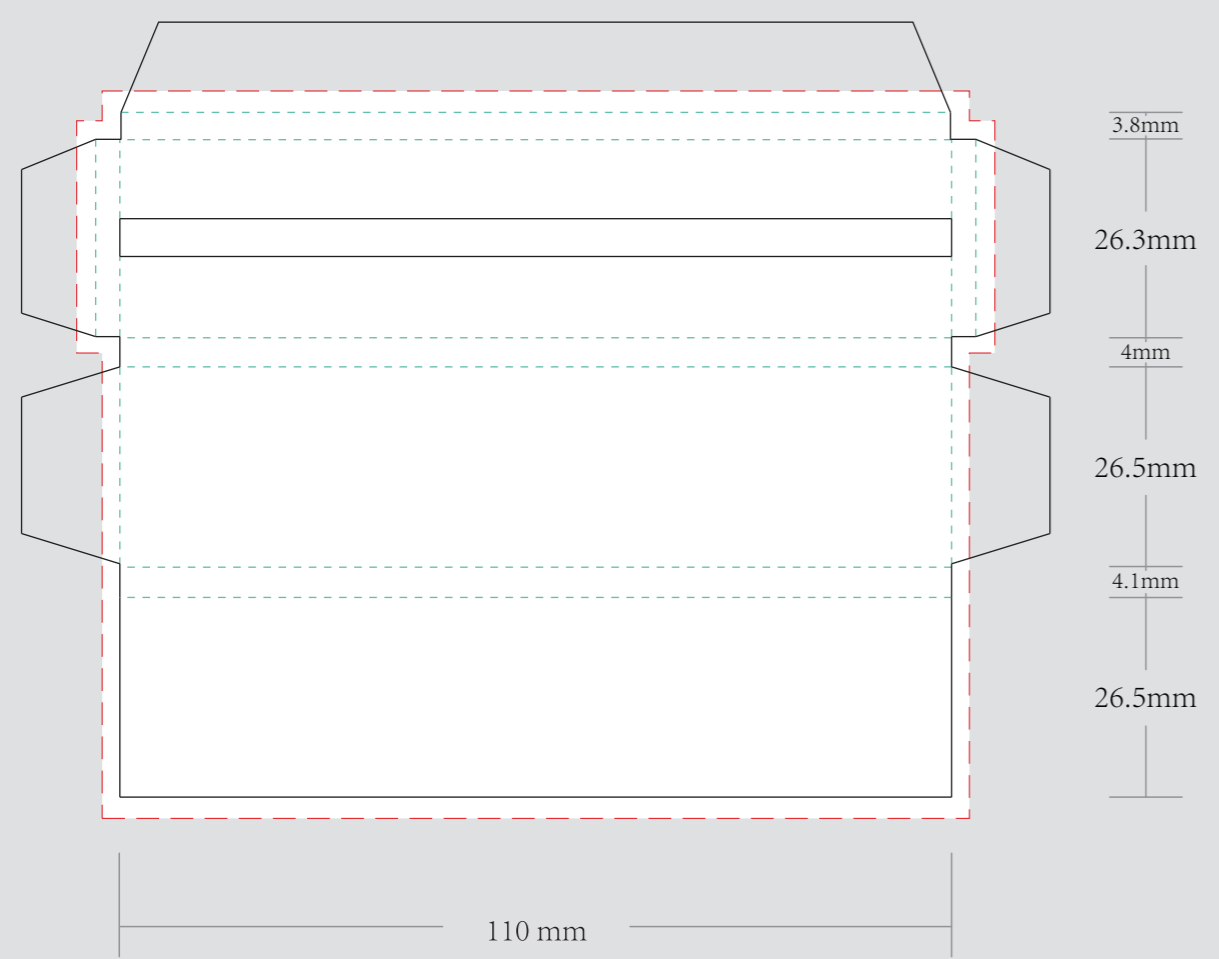
I accept the artwork and understand that any mistakes or omissions is my responsibility.

DATE:

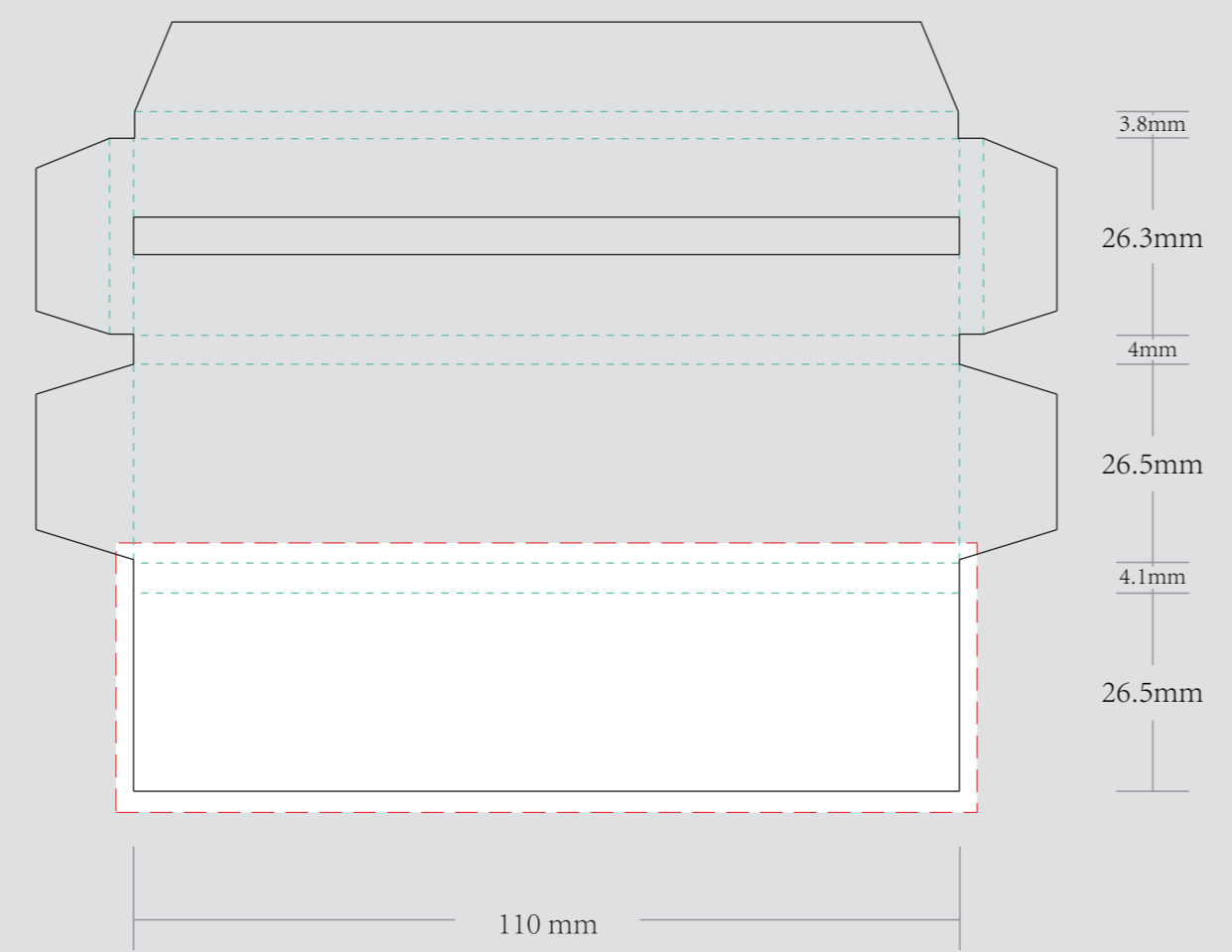
PRINT NAME:

APPROVAL SIGNATURE:

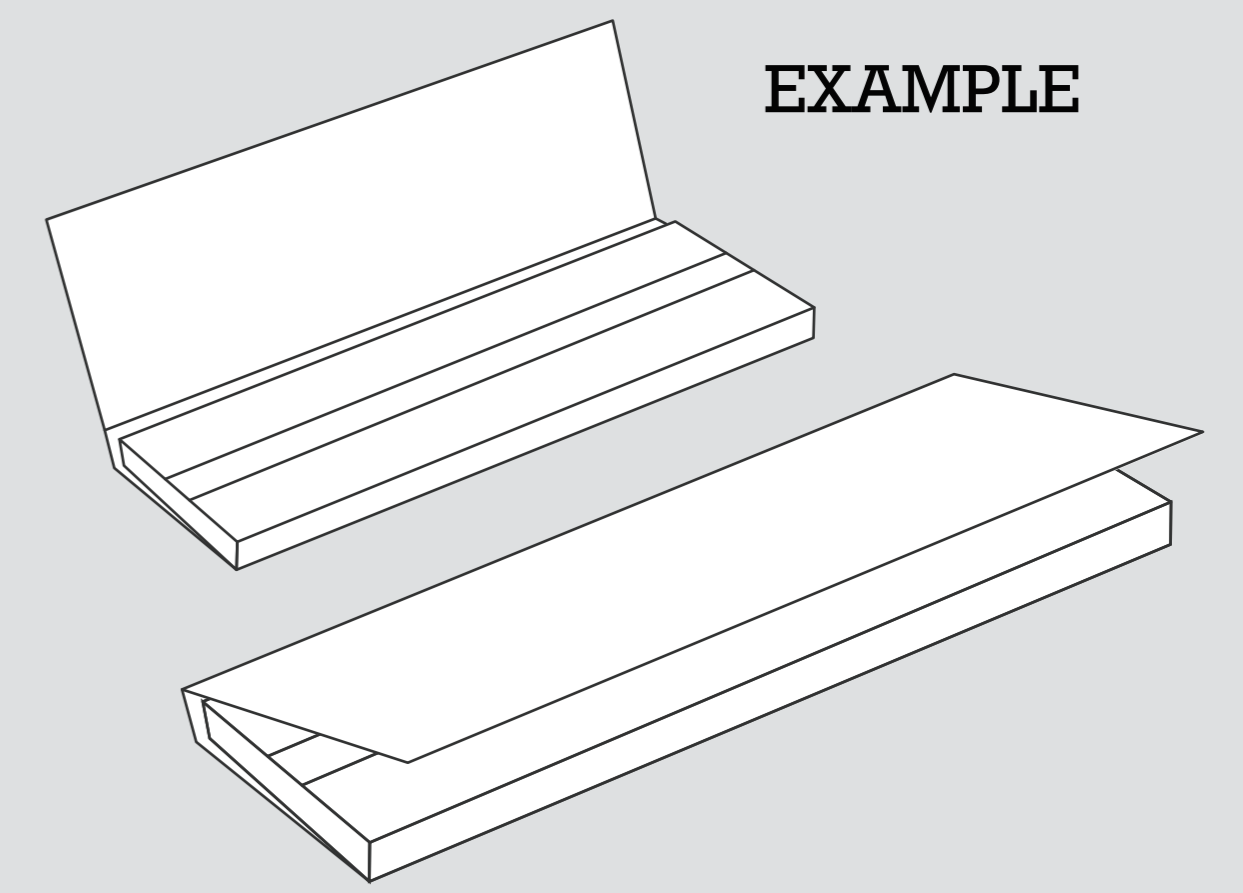
OUTSIDE



INSIDE



EXAMPLE



DISPLAY BOX

