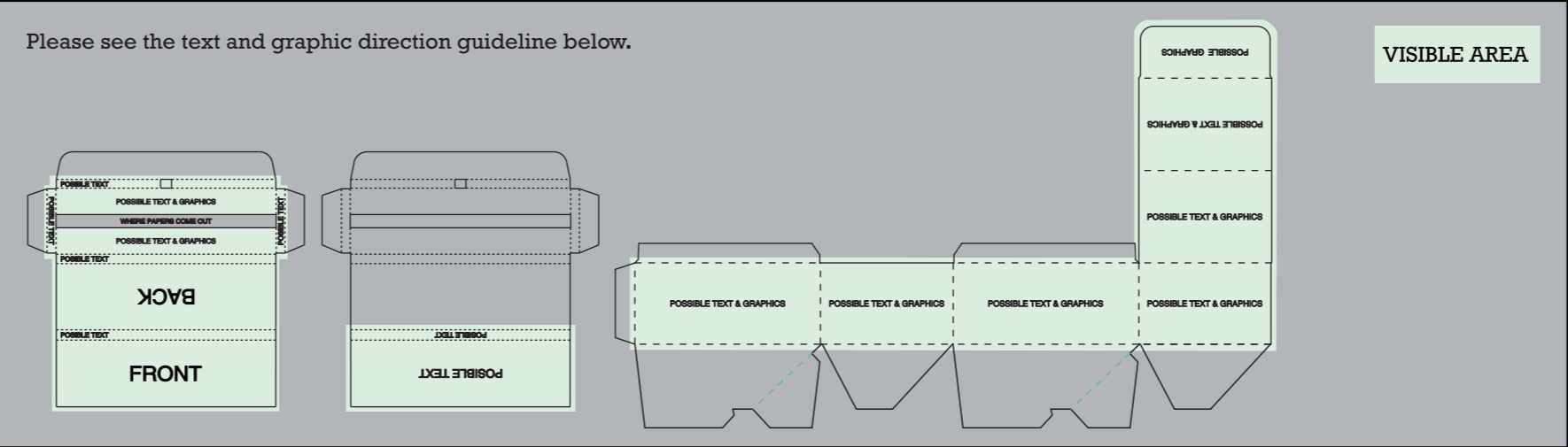


ORDER DETAILS	
MOCKUP NO.	WUFOO.
INQUIRY NO.	INQUIRY.V1Z
ORDER NO.	
PRODUCT DETAILS	
SIZE	TRUE KING SIZE (KS)
PAPER TYPE	
QUANTITY	
BOX PACKING	25 BOOKLETS A BOX
VALUE ADDITION	
PRINTING EFFECT	CMYK

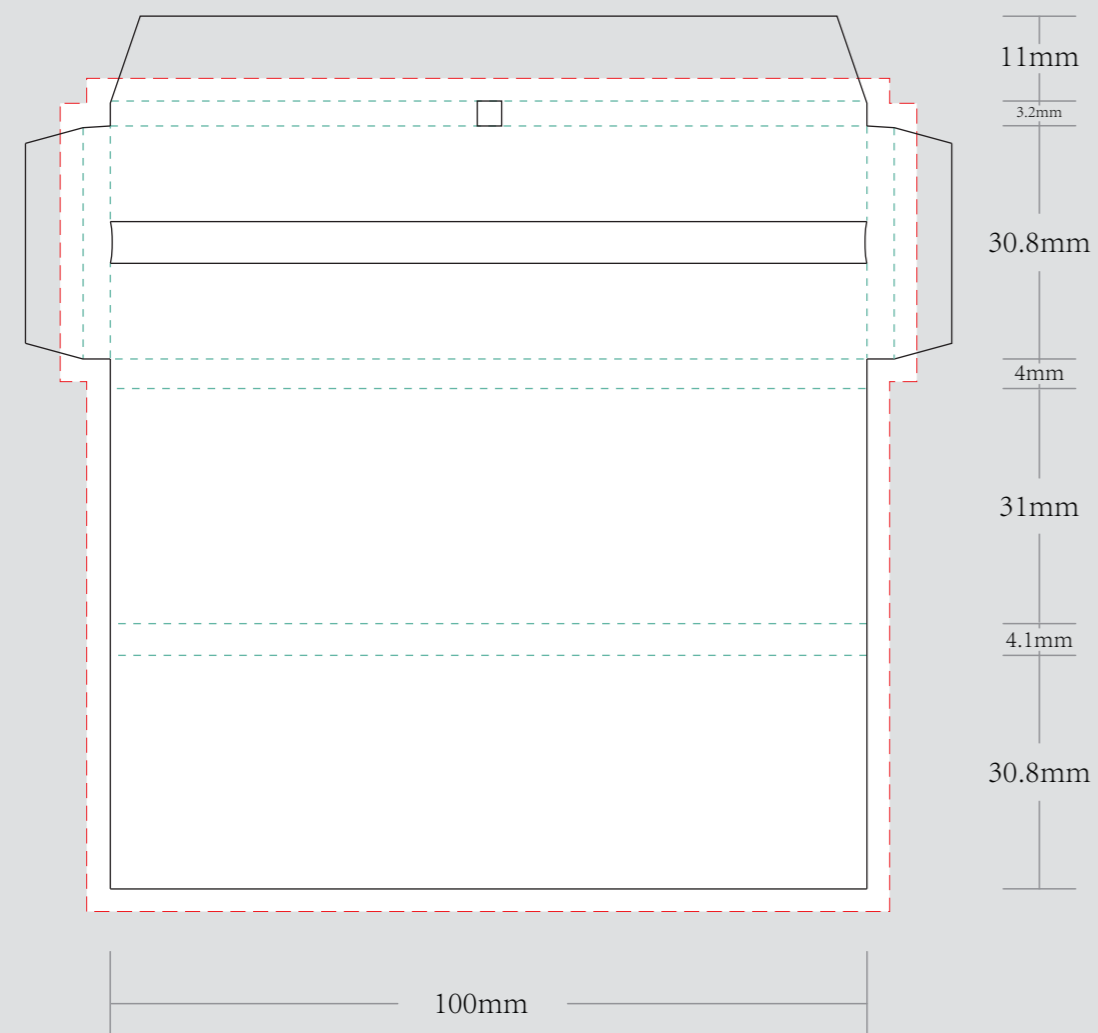
_____ DIE CUT LINE
 - - - - - FOLD LINE
 - - - - - BLEED LINE

REMARKS:
 - Artwork should be submitted in AI, EPS, PDF, CDR, PSD.
 - For JPEG, PNG and PSD please submit your artwork with a minimum of 300dpi

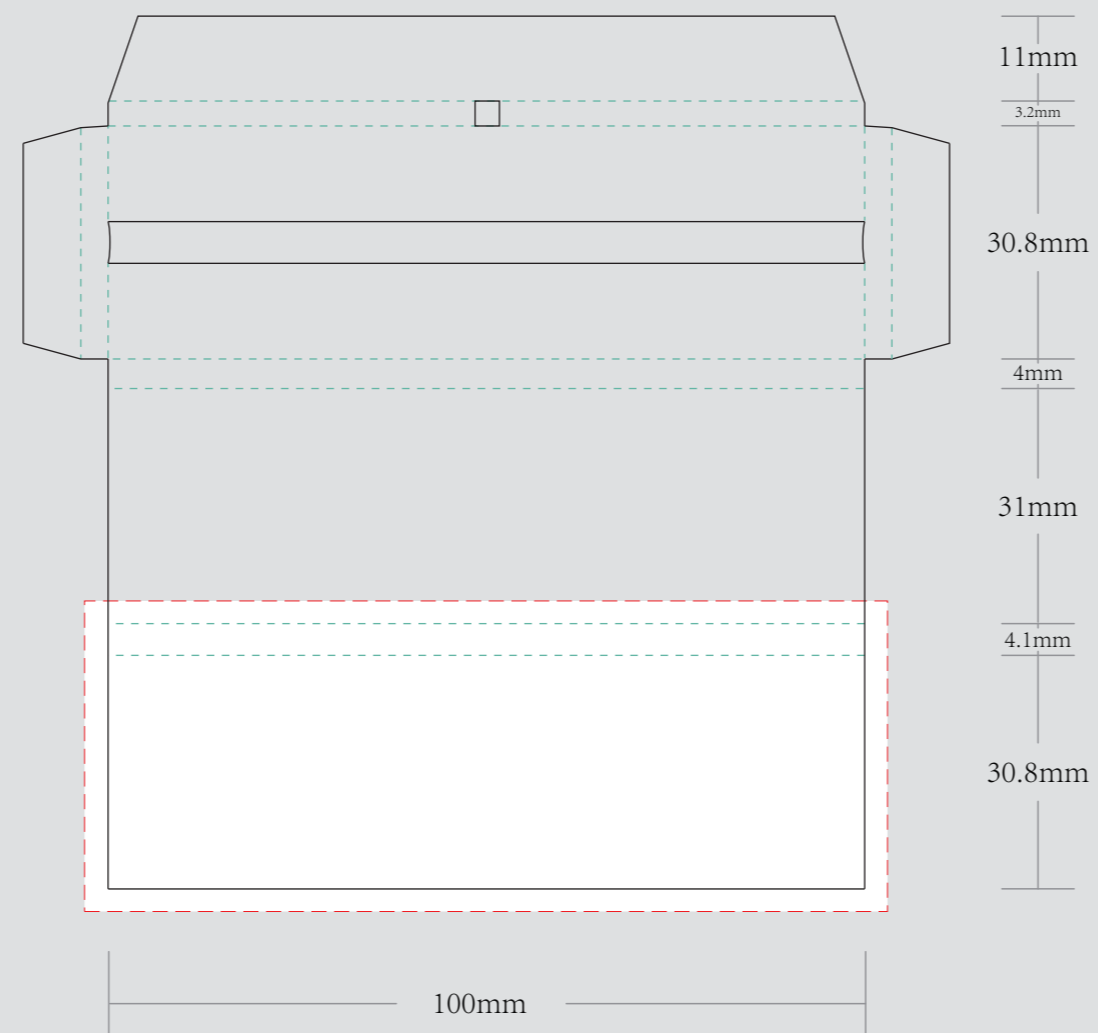


I accept the artwork and understand that any mistakes or omissions is my responsibility.
 DATE:
 PRINT NAME:
 APPROVAL SIGNATURE:

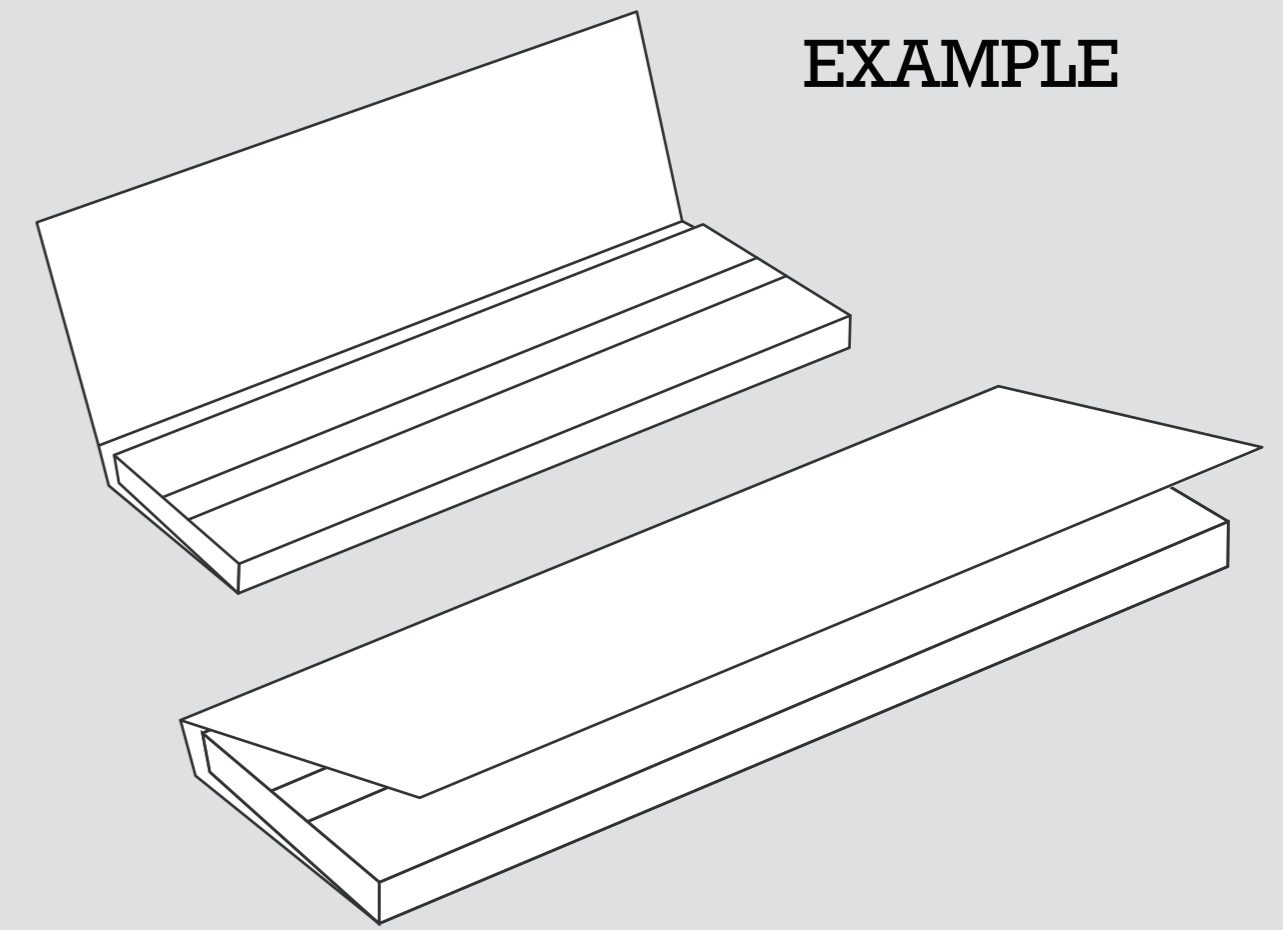
OUTSIDE



INSIDE



EXAMPLE



DISPLAY BOX

