

ORDER DETAILS	
MOCKUP NO.	WUFOO.
INQUIRY NO.	INQUIRY.V1
ORDER NO.	
PRODUCT DETAILS	
SIZE	60 X 25 MM
PAPER TYPE	
QUANTITY	
BOX PACKING	24 BOOKLETS A BOX
VALUE ADDITION	
PRINTING EFFECT	CMYK

_____ DIE CUT LINE
 - - - - - FOLD LINE
 - - - - - BLEED LINE

REMARKS:
 - Artwork should be submitted in AI, EPS, PDF, CDR, PSD.
 - For JPEG, PNG and PSD please submit your artwork with a minimum of 300dpi

Please see the text and graphic direction guideline below.

I accept the artwork and understand that any mistakes or omissions is my responsibility.

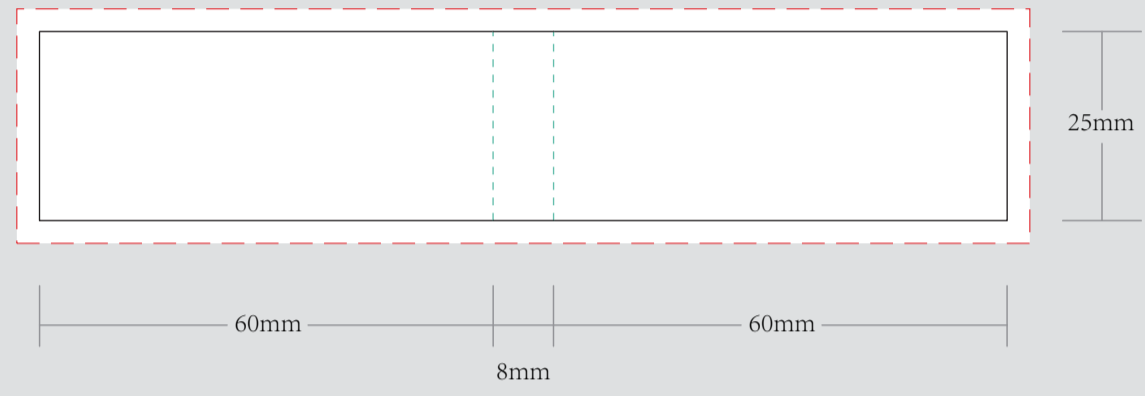
DATE:

PRINT NAME:

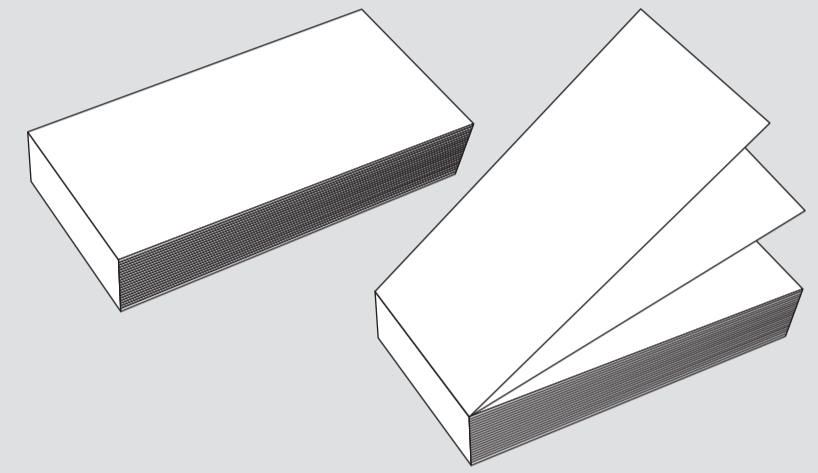
APPROVAL SIGNATURE:

BACK

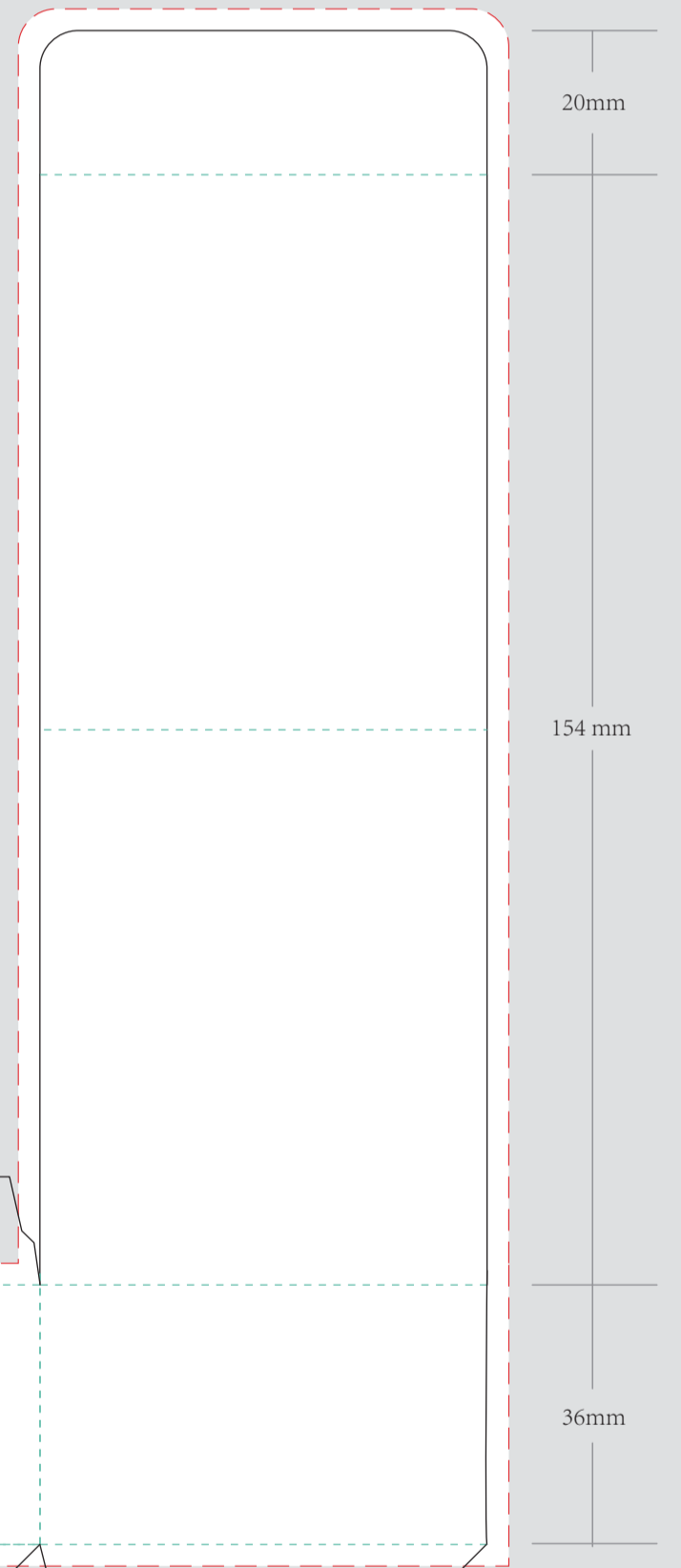
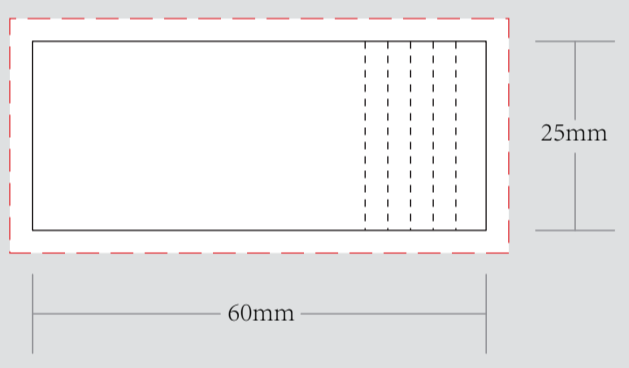
FRONT



EXAMPLE



TIPS



DISPLAY BOX

