

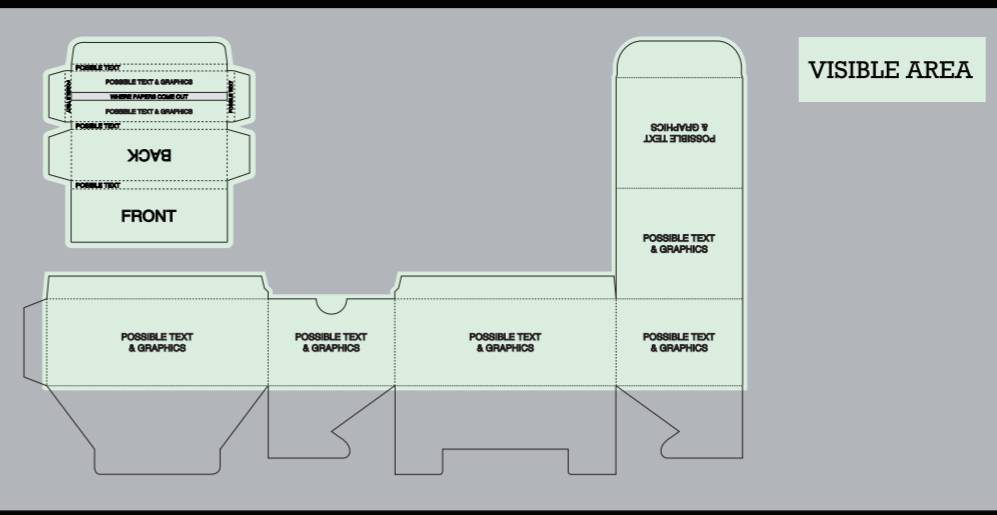
ORDER DETAILS	
MOCKUP NO.	WUFOO.
INQUIRY NO.	INQUIRY.V1
ORDER NO.	
PRODUCT DETAILS	
SIZE	ONE AND A QUARTER (O&Q)
PAPER TYPE	
QUANTITY	
BOX PACKING	50 BOOKLETS PER BOX
VALUE ADDITION	
PRINTING EFFECT	CMYK

_____ DIE CUT LINE
 - - - - - FOLD LINE
 - - - - - BLEED LINE

REMARKS:
 - Artwork should be submitted in AI, EPS, PDF, CDR, PSD.
 - For JPEG, PNG and PSD please submit your artwork with a minimum of 300dpi

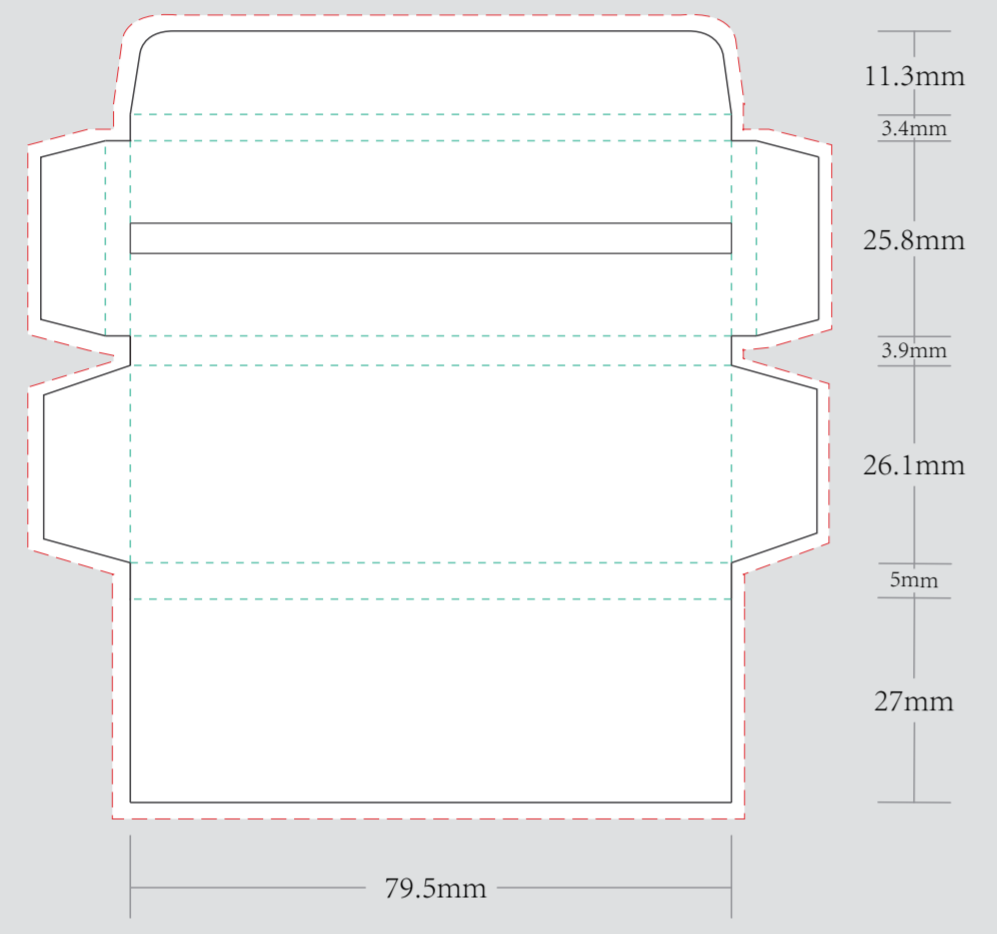
IMPORTANT PLEASE READ BELOW:

- These template should only be used for RUSH ORDERS and our LOW MINIMUM program
- Please send us your artwork in Adobe illustrator format with all font/text converted into image.
- Printing on the display box is only one side.
- Display box come in a kraft brown box.



I accept the artwork and understand that any mistakes or omissions is my responsibility.
 DATE:
 PRINT NAME:
 APPROVAL SIGNATURE:

OUTSIDE



DISPLAY BOX

