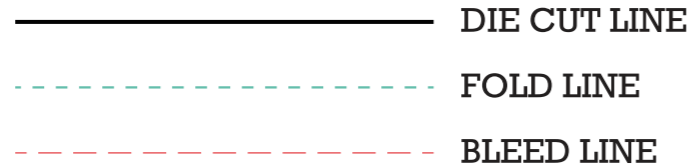


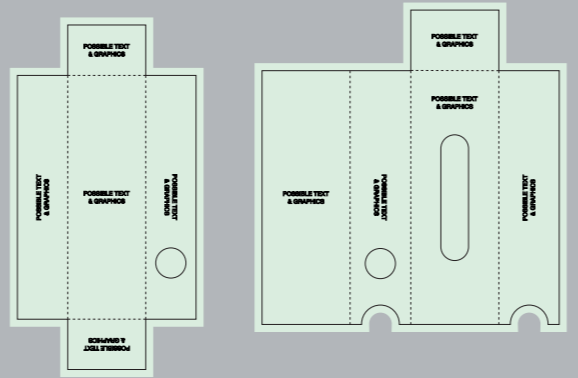
ORDER DETAILS	
MOCKUP NO.	WUFOO.
INQUIRY NO.	INQUIRY.V1
ORDER NO.	
PRODUCT DETAILS	
SIZE	140*95MM
QUANTITY	
VALUE ADDITION	
PRINTING EFFECT	CMYK


  
**DIE CUT LINE**  
**FOLD LINE**  
**BLEED LINE**

**REMARKS:**  
 - Artwork should be submitted in AI, EPS, PDF, CDR, PSD.  
 - For JPEG, PNG and PSD please submit your artwork with a minimum of 300dpi

Please see the text and graphic direction guideline below.

**VISIBLE AREA**



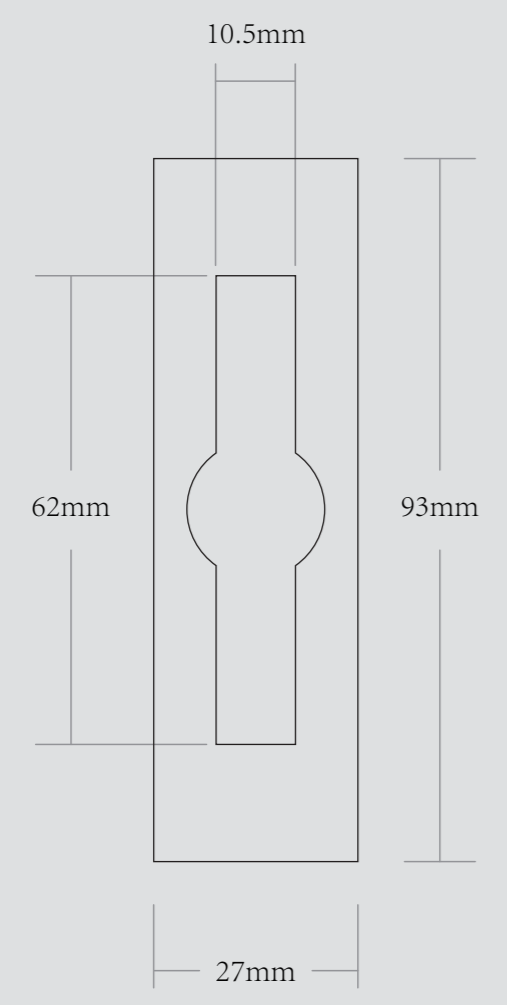
I accept the artwork and understand that any mistakes or omissions is my responsibility.

DATE: .....

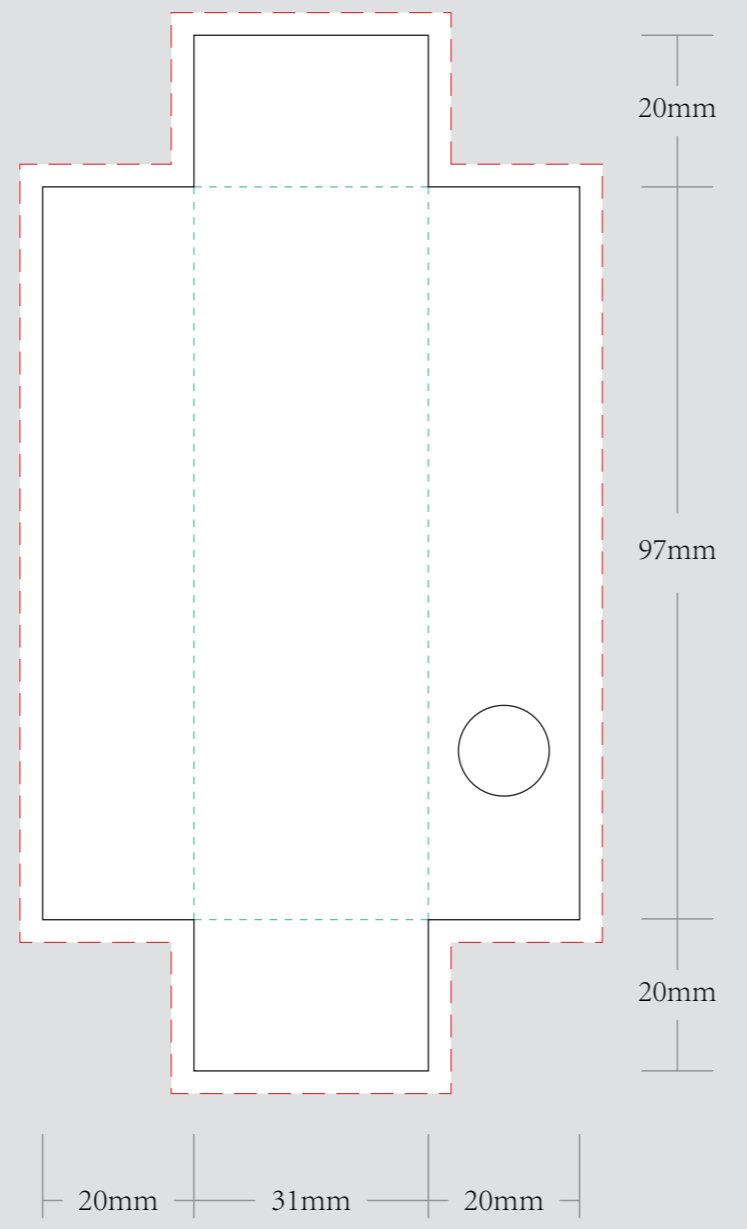
PRINT NAME: .....

APPROVAL SIGNATURE: .....

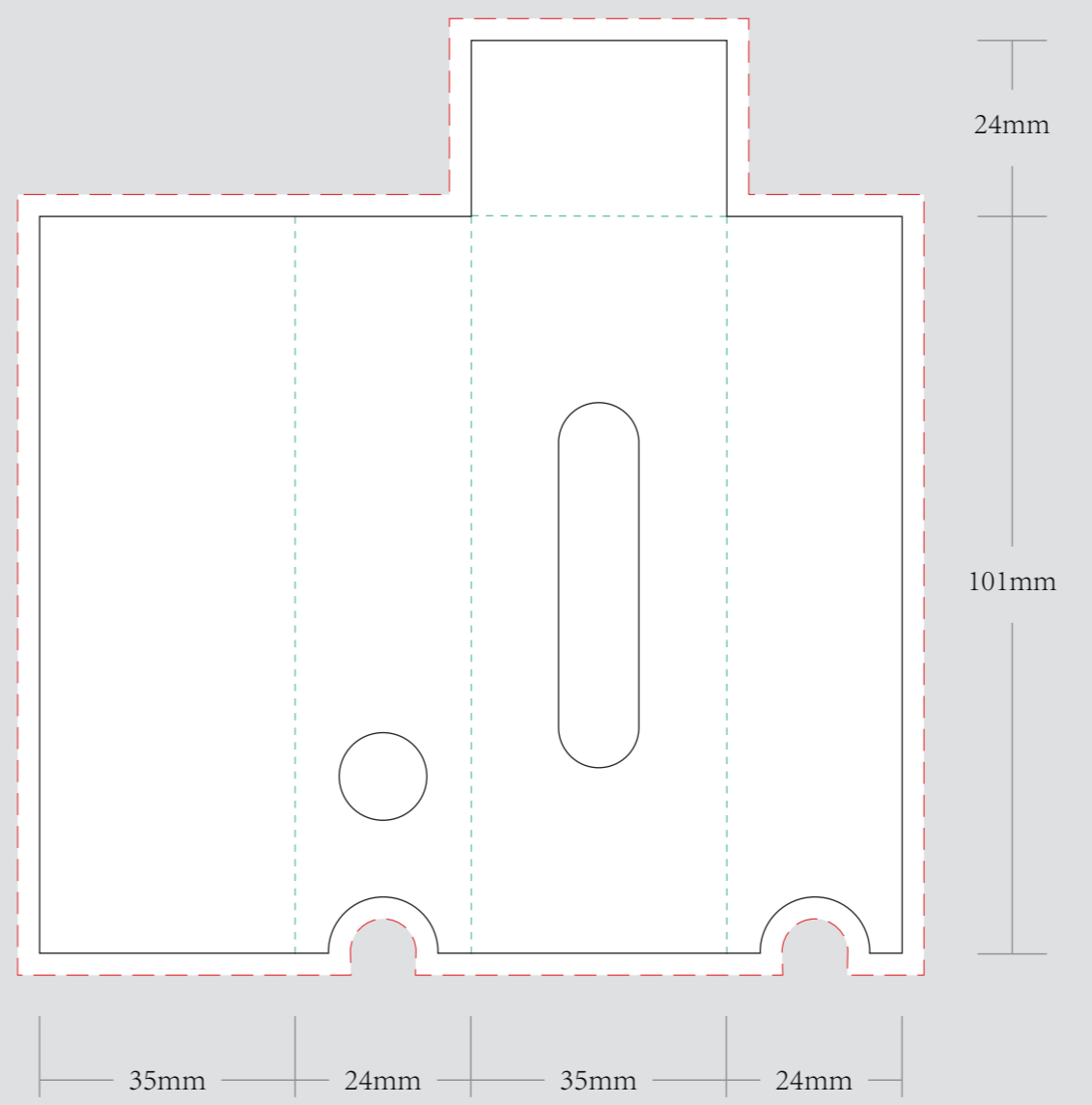
## WHITE OR BLACK EVA



## INNER BOX



## OUTER BOX



## EXAMPLE

