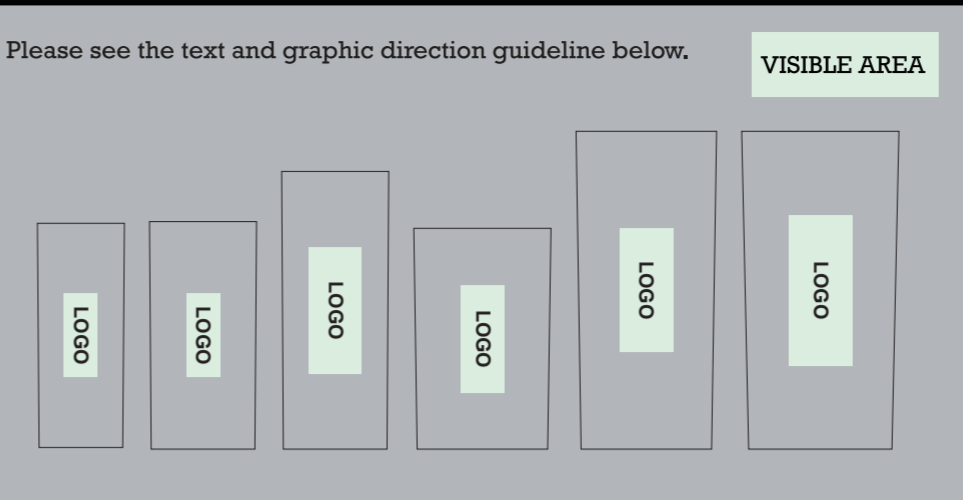


ORDER DETAILS	
MOCKUP NO.	WUFOO.
INQUIRY NO.	INQUIRY..V1
ORDER NO.	
PRODUCT DETAILS	
SIZE	8 DRAM / 13 DRAM / 16 DRAM / 20 DRAM / 30 DRAM / 40 DRAM
QUANTITY	
VALUE ADDITION	
PRINTING EFFECT	CMYK

_____ DIE CUT LINE
 - - - - - FOLD LINE
 - - - - - BLEED LINE

REMARKS:
 - Artwork should be submitted in AI, EPS, PDF, CDR, PSD.
 - For JPEG, PNG and PSD please submit your artwork with a minimum of 300dpi



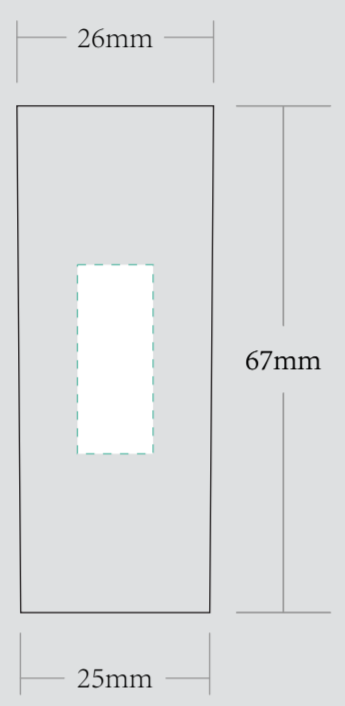
I accept the artwork and understand that any mistakes or omissions is my responsibility.

DATE:

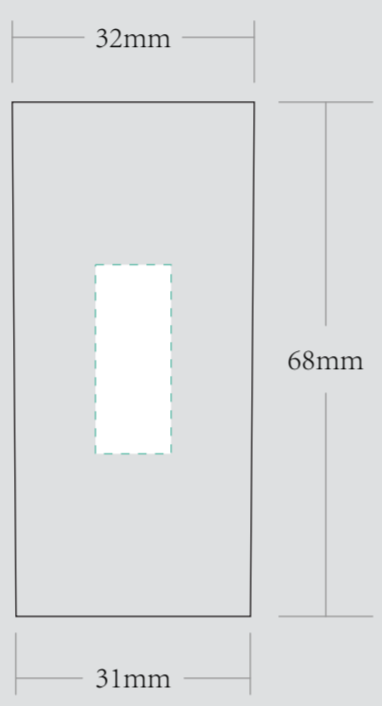
PRINT NAME:

APPROVAL SIGNATURE:

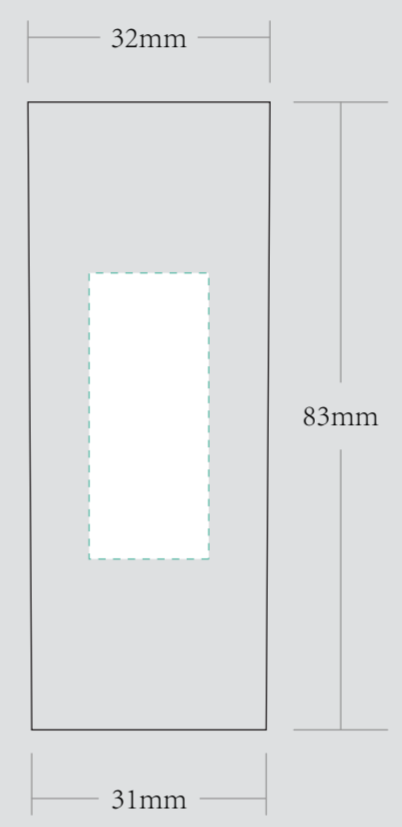
8 DRAM / 30ML



13 DRAM / 50ML



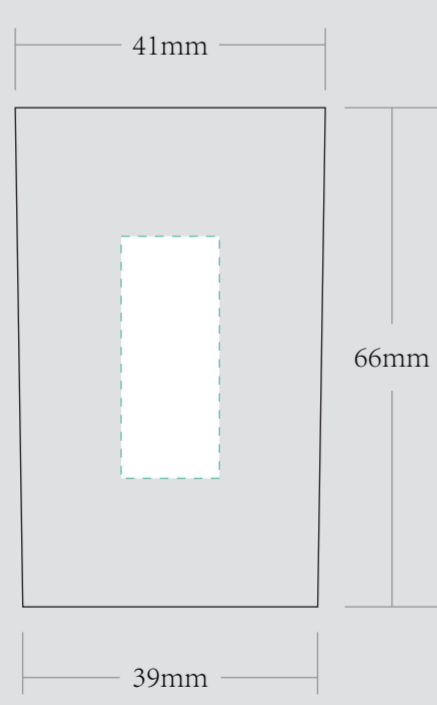
16 DRAM / 60ML



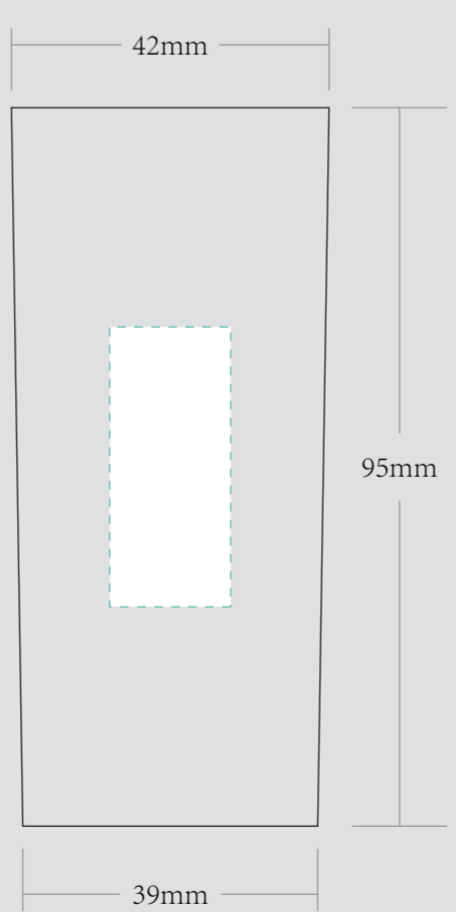
EXAMPLE



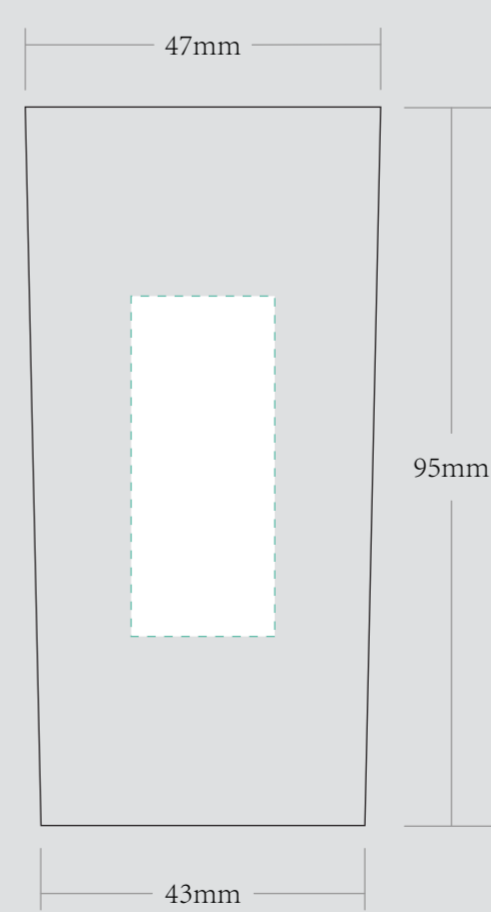
20 DRAM / 80ML



30 DRAM / 120ML



40 DRAM / 160ML



PLEASE PUT THE LOGO IN GREEN LINE RECTANGLE