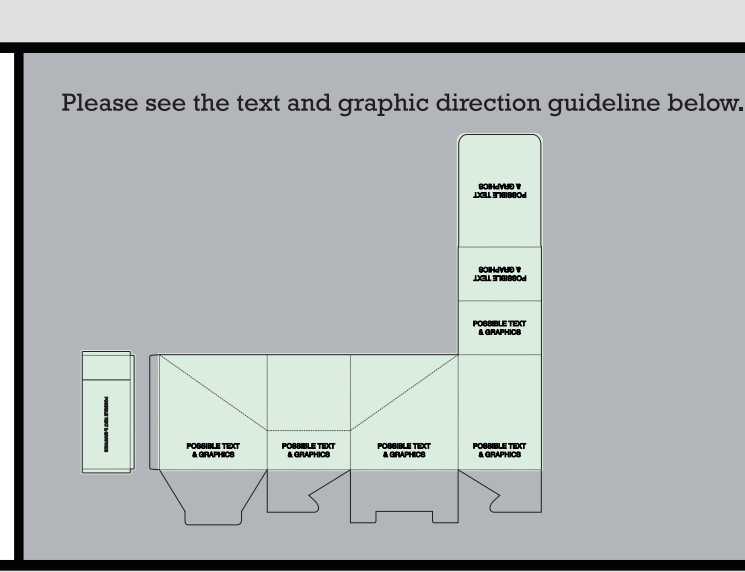


ORDER DETAILS	
MOCKUP NO.	TRIPPOD
INQUIRY NO.	INQUIRY_V1
ORDER NO.	
PRODUCT DETAILS	
SIZE	1 1/4 BISE / 48 SPECIAL / 480x240x140
PAPER TYPE	
QUANTITY	
BOX PACKING	5 CORNER PER FACE / 18 PACKS PER BOX
VALUE ADDITION	
PRINTING EFFECT	CMYK

——— DIE CUT LINE  
 - - - - - FOLD LINE  
 ······ BLEED LINE

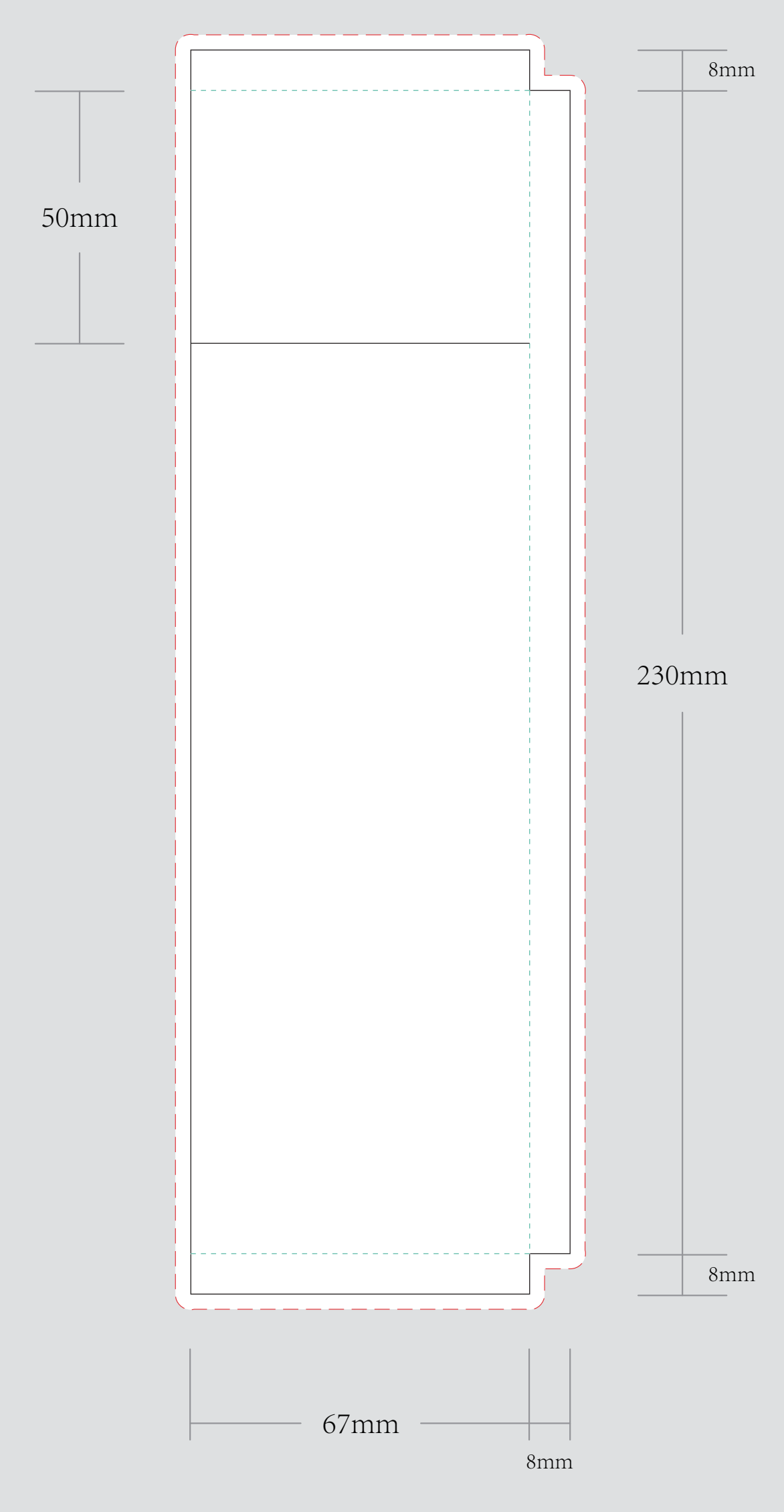
**REMARKS:**  
 - Artwork should be submitted in AI, EPS, PDF, CDR, PSD.  
 - For JPEG, PNG and PSD please submit your artwork with a minimum of 300dpi



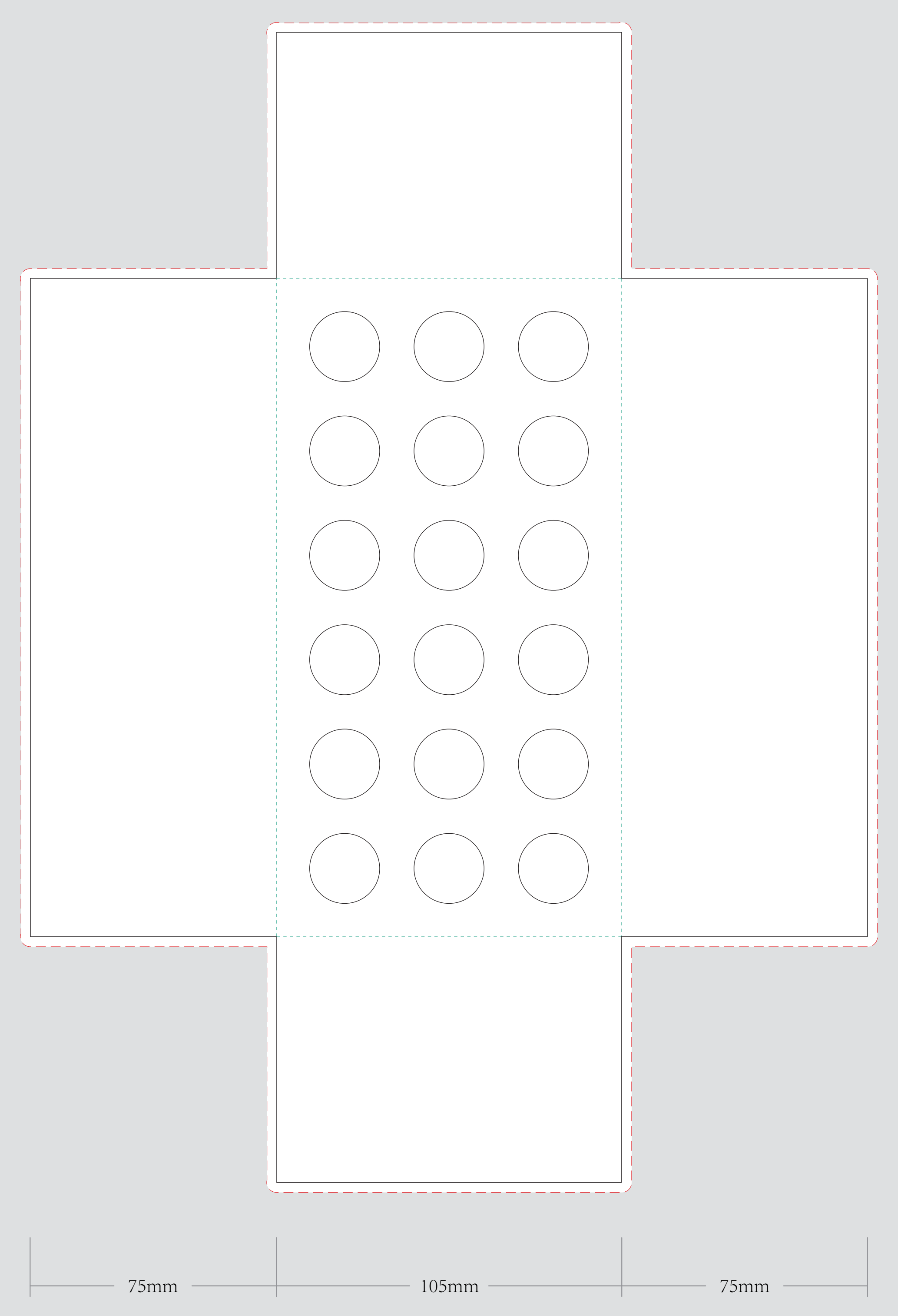
VISIBLE AREA

I accept the artwork and understand that any mistakes or omissions is my responsibility.  
 DATE: .....  
 PRINT NAME: .....  
 APPROVAL SIGNATURE: .....

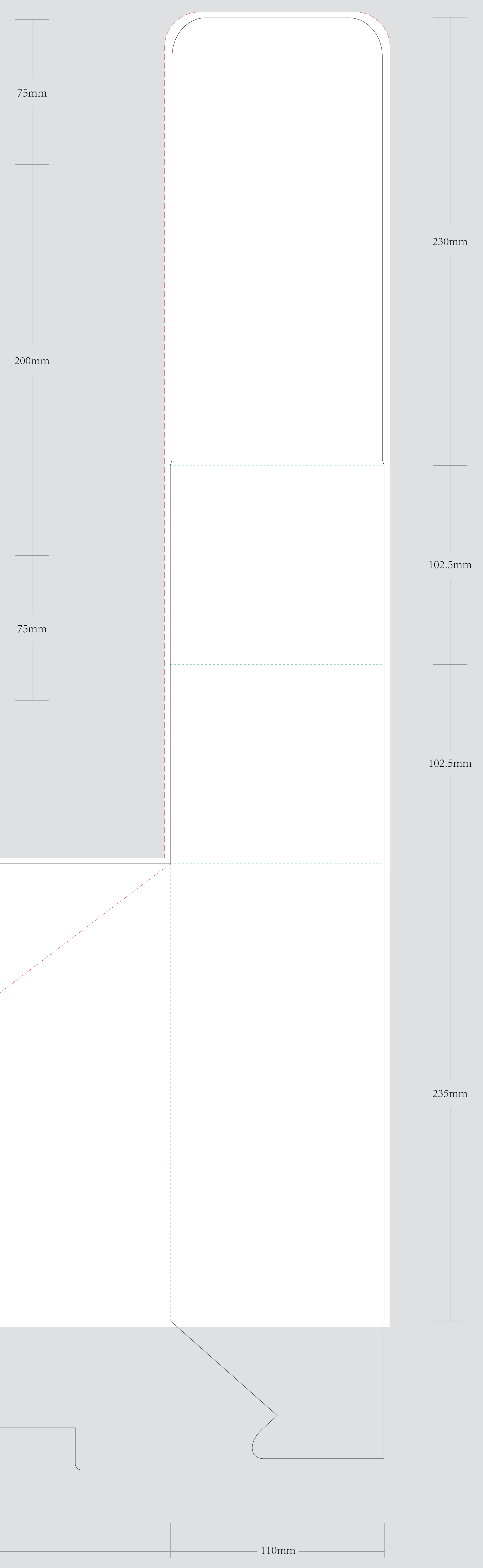
### TUBE BOX



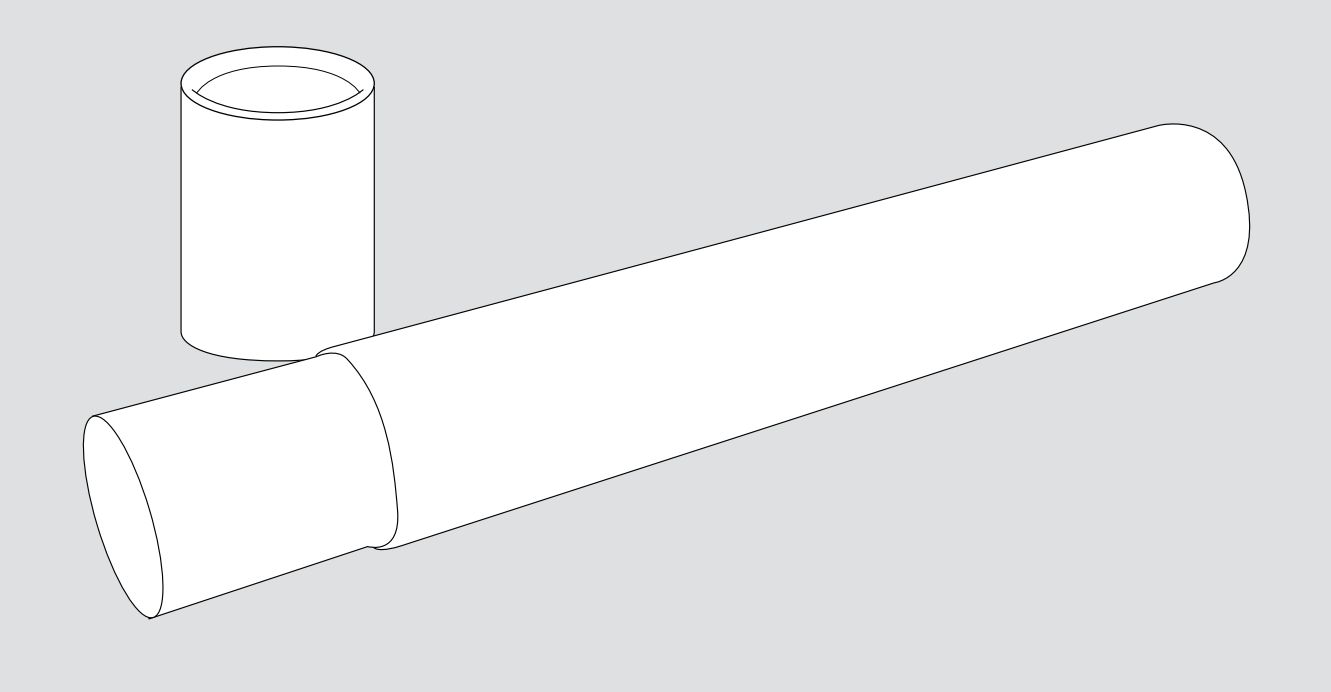
### HOLDER



### DISPLAY BOX



### EXAMPLE



### TIPS/CRUTCH

