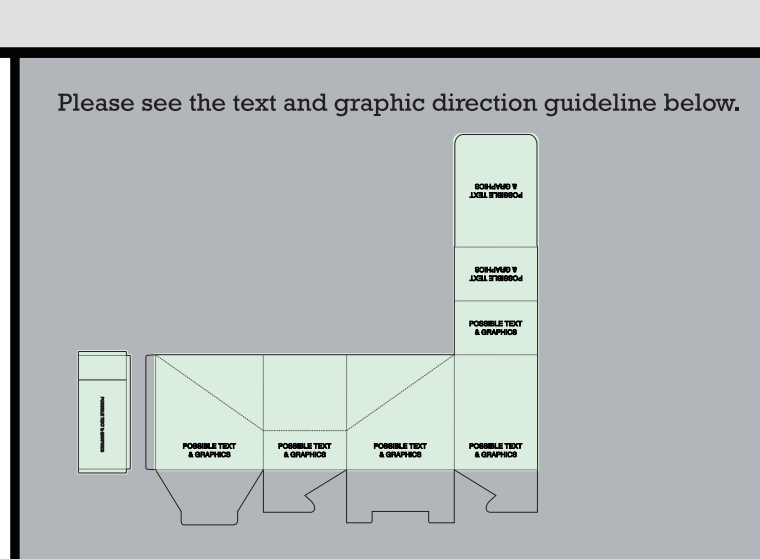


ORDER NO.	WSP001
MOCKER NO.	INQUIRY.V1
ORDER NO.	
PRODUCT DETAILS	
SIZE	1 1/4 BOLD / 48 SPECIAL / 4800 TALL 800
MARKET TYPE	
QUANTITY	
BOX PACKING	10 COPIES PER PACK / 10 PACKS PER BOX
VALUE ADDITION	
PRINTING METHOD	CMYK

DIE CUT LINE
FOLD LINE
BLEED LINE

REMARKS:
 - Artwork should be submitted in AI, EPS, PDF, CDR, PSD.
 - For JPEG, PNG and PSD please submit your artwork with a minimum of 300dpi



VISIBLE AREA

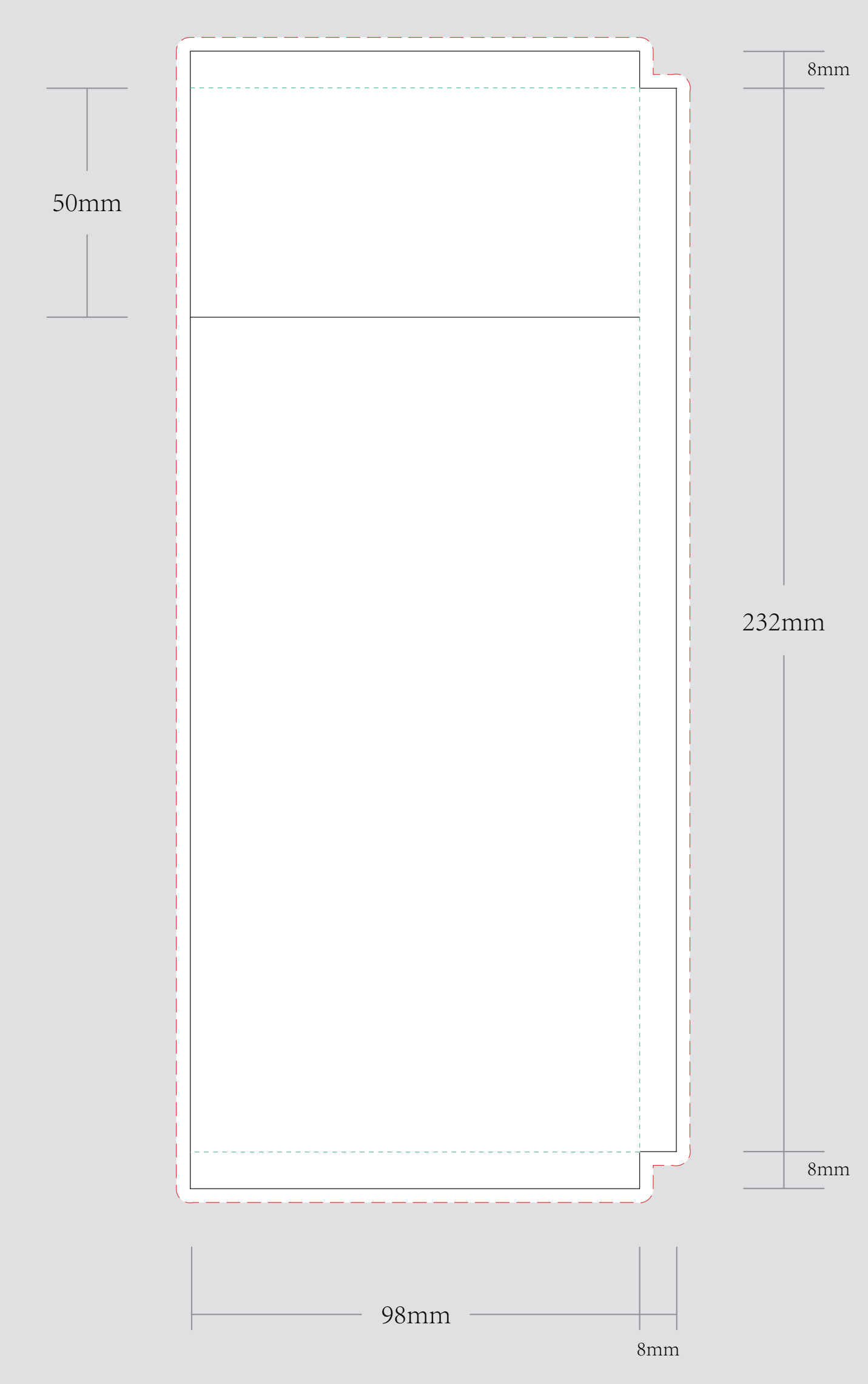
I accept the artwork and understand that any mistakes or omissions is my responsibility.

DATE: _____

PRINT NAME: _____

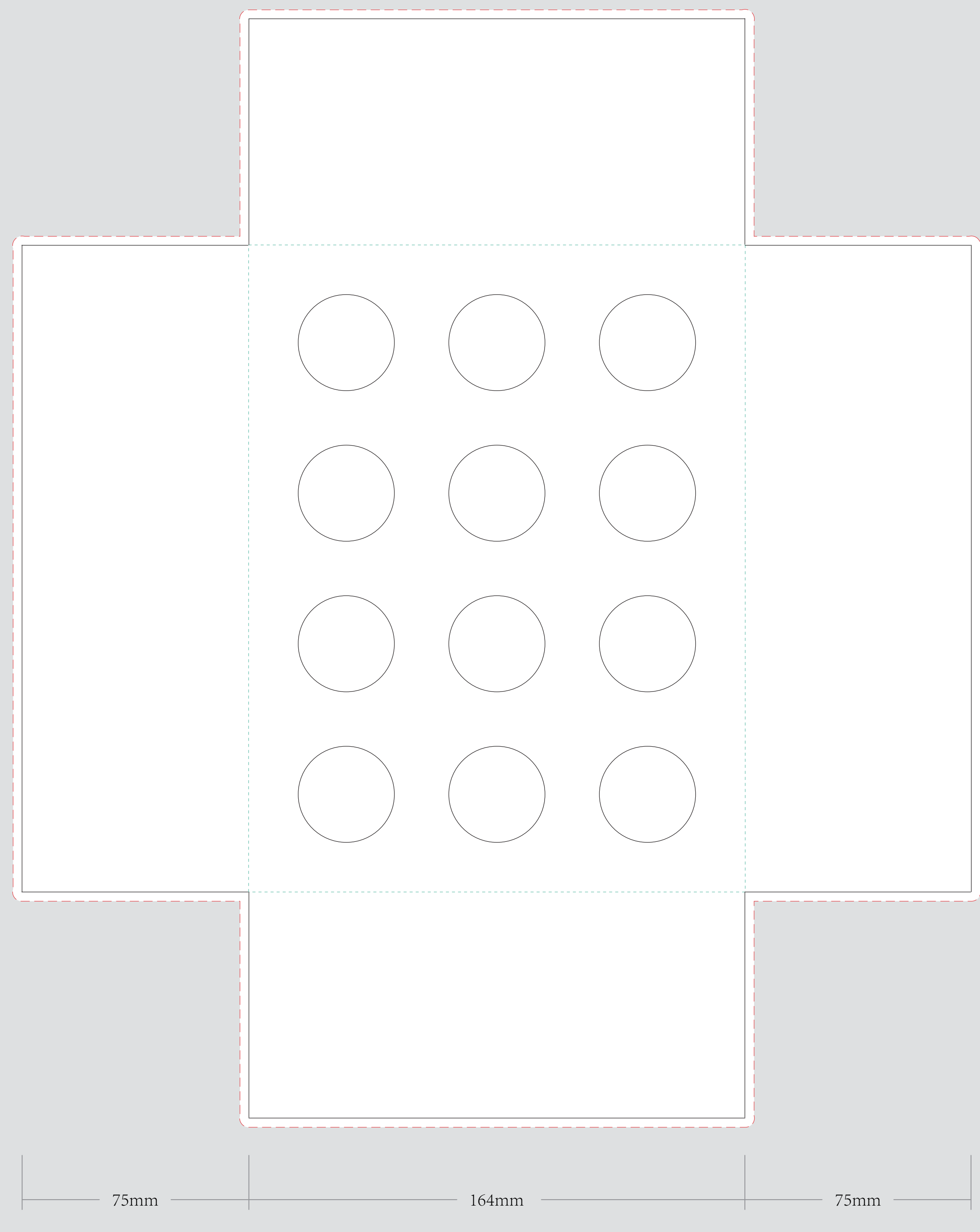
APPROVAL SIGNATURE: _____

TUBE BOX

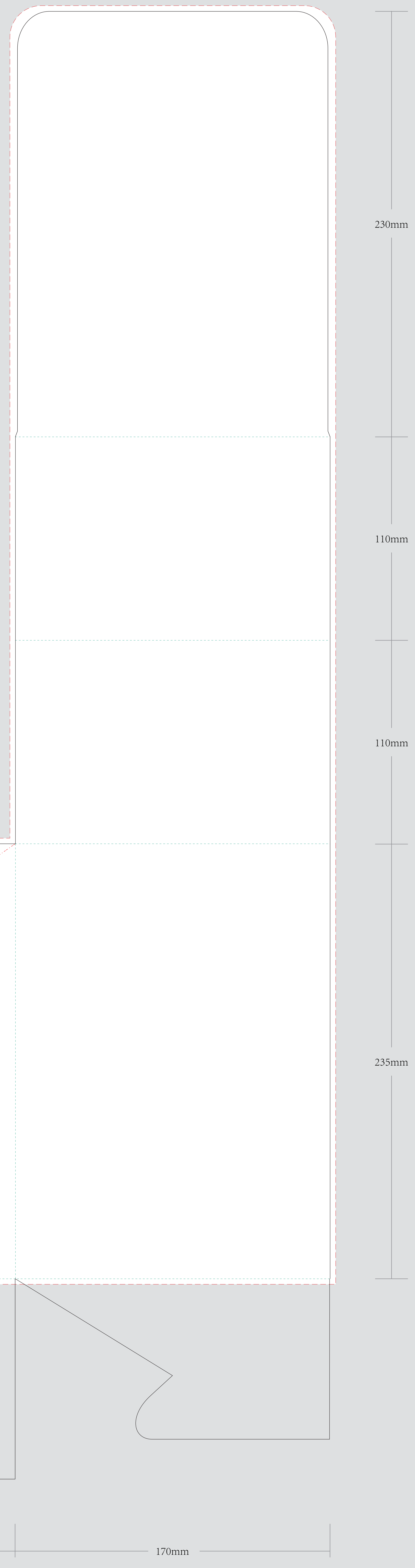


DIA.31*232mm
 直径: 31mm 高度: 232mm

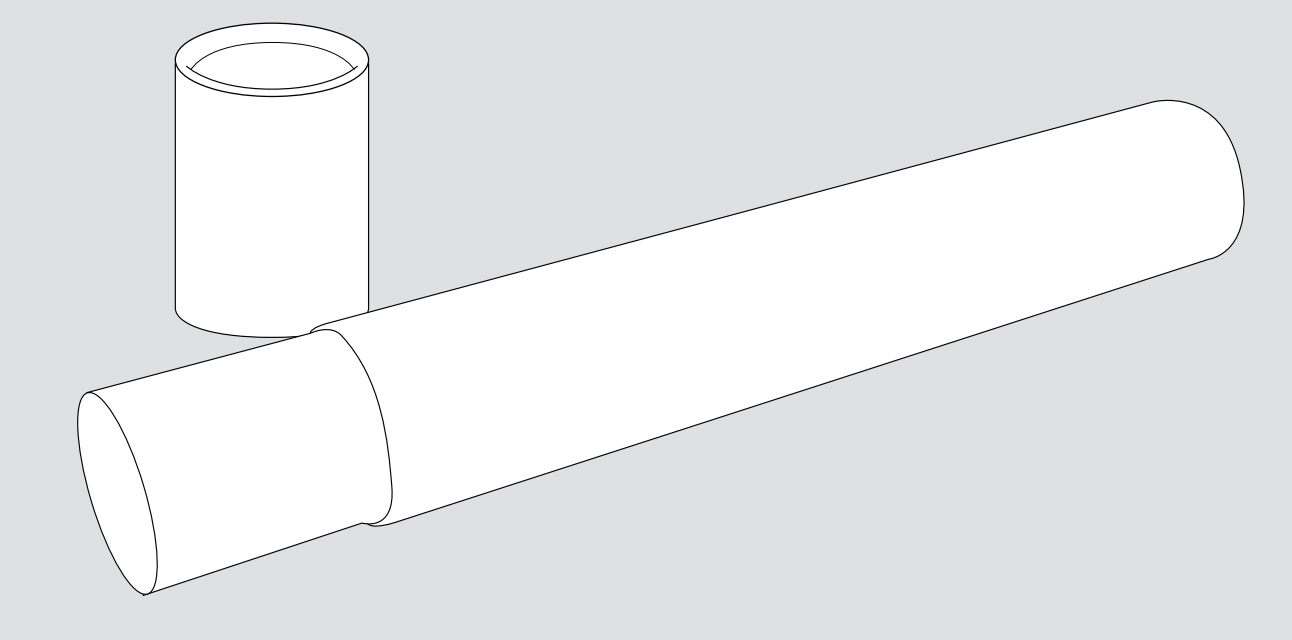
HOLDER



DISPLAY BOX



EXAMPLE



TEAR LINE / 撕割线

