

ORDER DETAILS	
MOCKUP NO.	WUFOO.
INQUIRY NO.	INQUIRY.V1
ORDER NO.	
PRODUCT DETAILS	
SIZE	6*18MM / 7*18MM / 8*18MM
PAPER TYPE	BROWN KRAFT PAPER / WHITE KRAFT PAPER
QUANTITY	
BOX PACKING	
VALUE ADDITION	
PRINTING EFFECT	CMYK

————— DIE CUT LINE

REMARKS:
 - Artwork should be submitted in AI, EPS, PDF, CDR, PSD.
 - For JPEG, PNG and PSD please submit your artwork with a minimum of 300dpi

Please see the text and graphic direction guideline below.

VISIBLE AREA

I accept the artwork and understand that any mistakes or omissions is my responsibility.

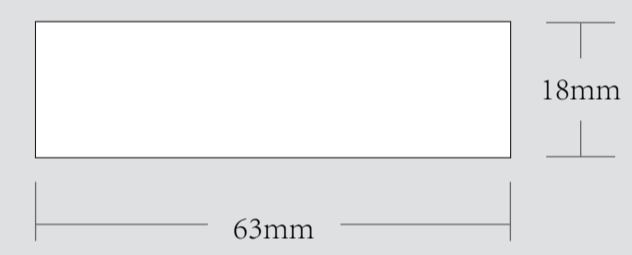
DATE:

PRINT NAME:

APPROVAL SIGNATURE:

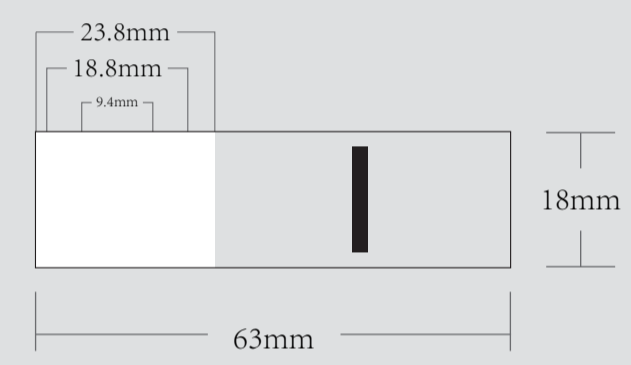
REPEAT DESIGN TEMPLATE:

DIA.6*18MM
PRE-ROLLED TIPS



LOGO DESIGN TEMPLATE:

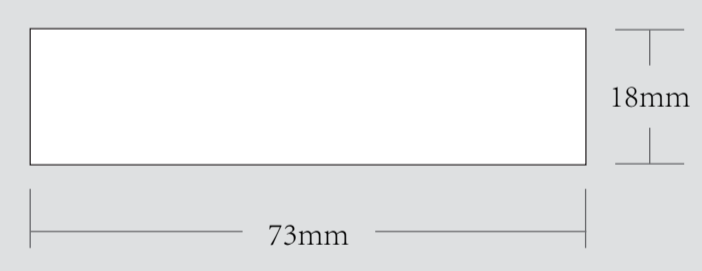
DIA.6*18MM
PRE-ROLLED TIPS



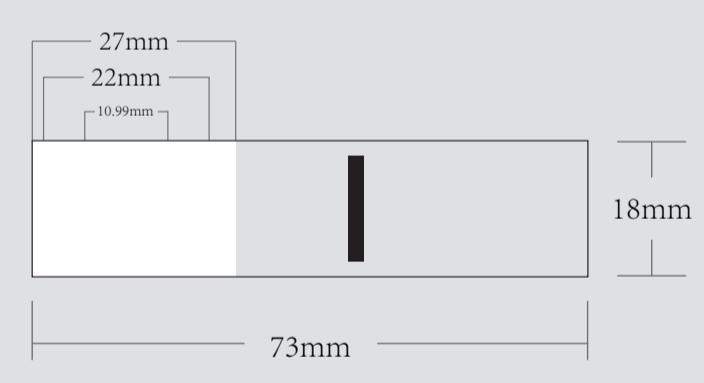
EXAMPLE



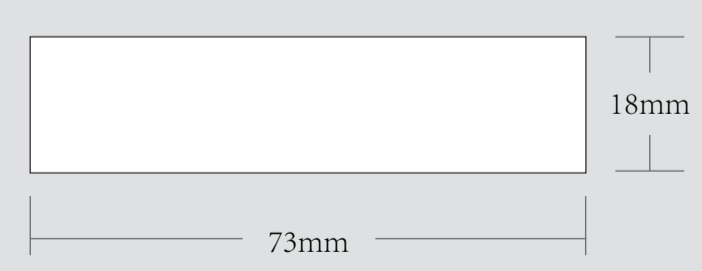
DIA.7*18MM
PRE-ROLLED TIPS



DIA.7*18MM
PRE-ROLLED TIPS



DIA.8*18MM
PRE-ROLLED TIPS



DIA.8*18MM
PRE-ROLLED TIPS

