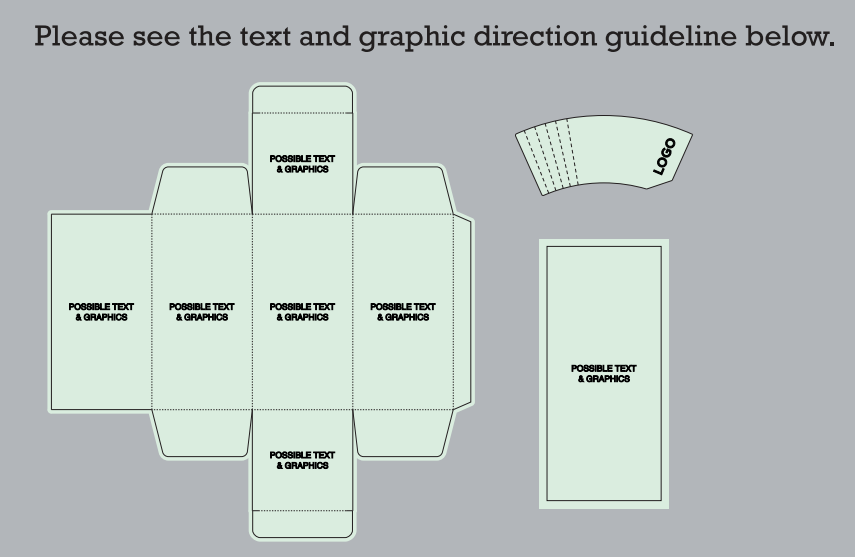
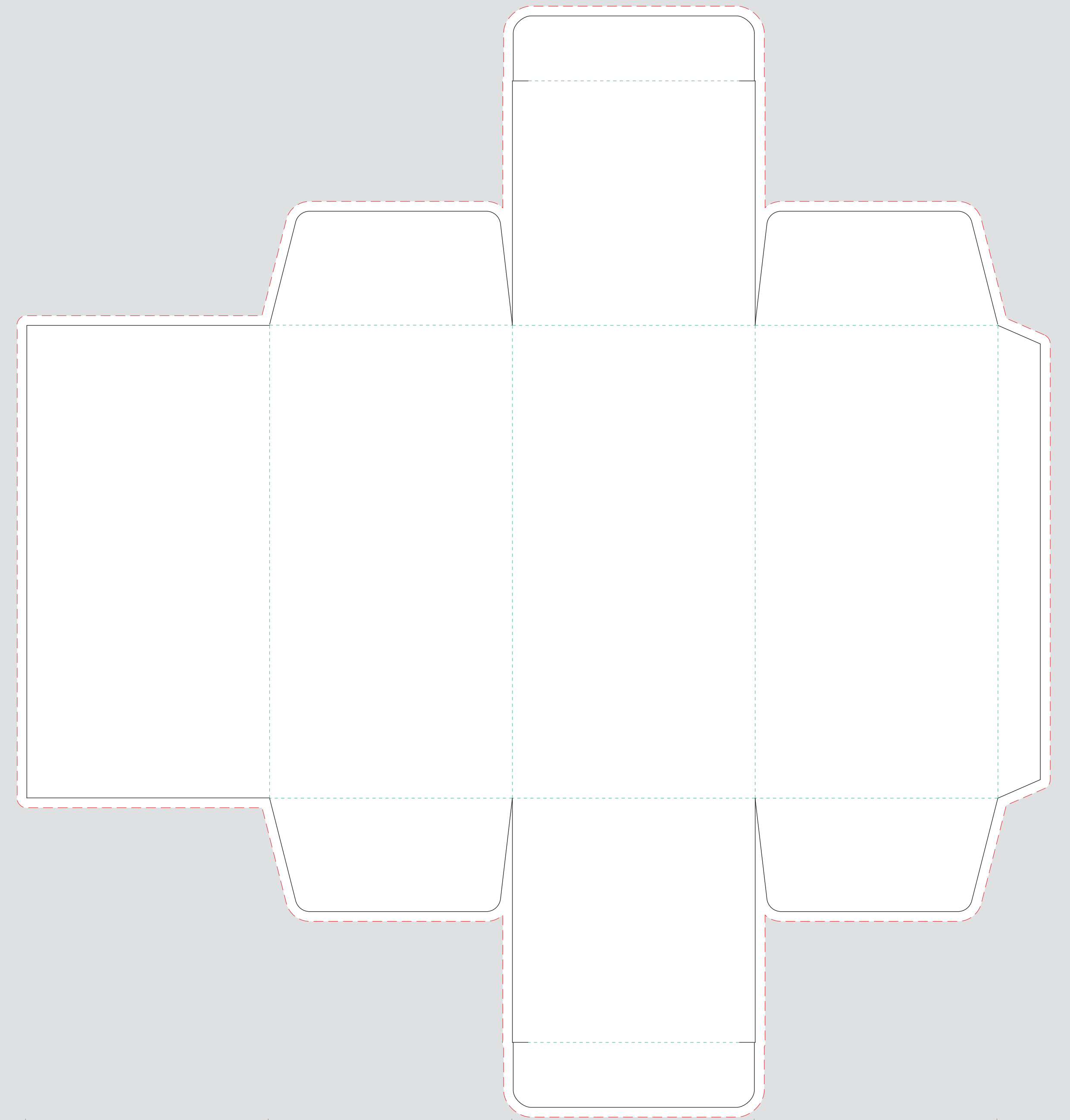


ORDER DETAILS		<p>————— DIE CUT LINE</p> <p>- - - - - FOLD LINE</p> <p>- - - - - BLEED LINE</p>	<p>Please see the text and graphic direction guideline below.</p> 	<p>VISIBLE AREA</p>
MOCKUP NO.	WUFOQ.			
INQUIRY NO.	INQUIRY_V1			
ORDER NO.				
PRODUCT DETAILS				
SIZE	O&Q			
PAPER TYPE				
QUANTITY				
BOX PACKING	80 PRE-ROLLED CONES A BOX			
VALUE ADDITION				
PRINTING EFFECT	CMYK			

REMARKS:
 - Artwork should be submitted in AI, EPS, PDF, CDR, PSD.
 - For JPEG, PNG and PSD please submit your artwork with a minimum of 300dpi

I accept the artwork and understand that any mistakes or omissions is my responsibility.
 DATE:
 PRINT NAME:
 APPROVAL SIGNATURE:

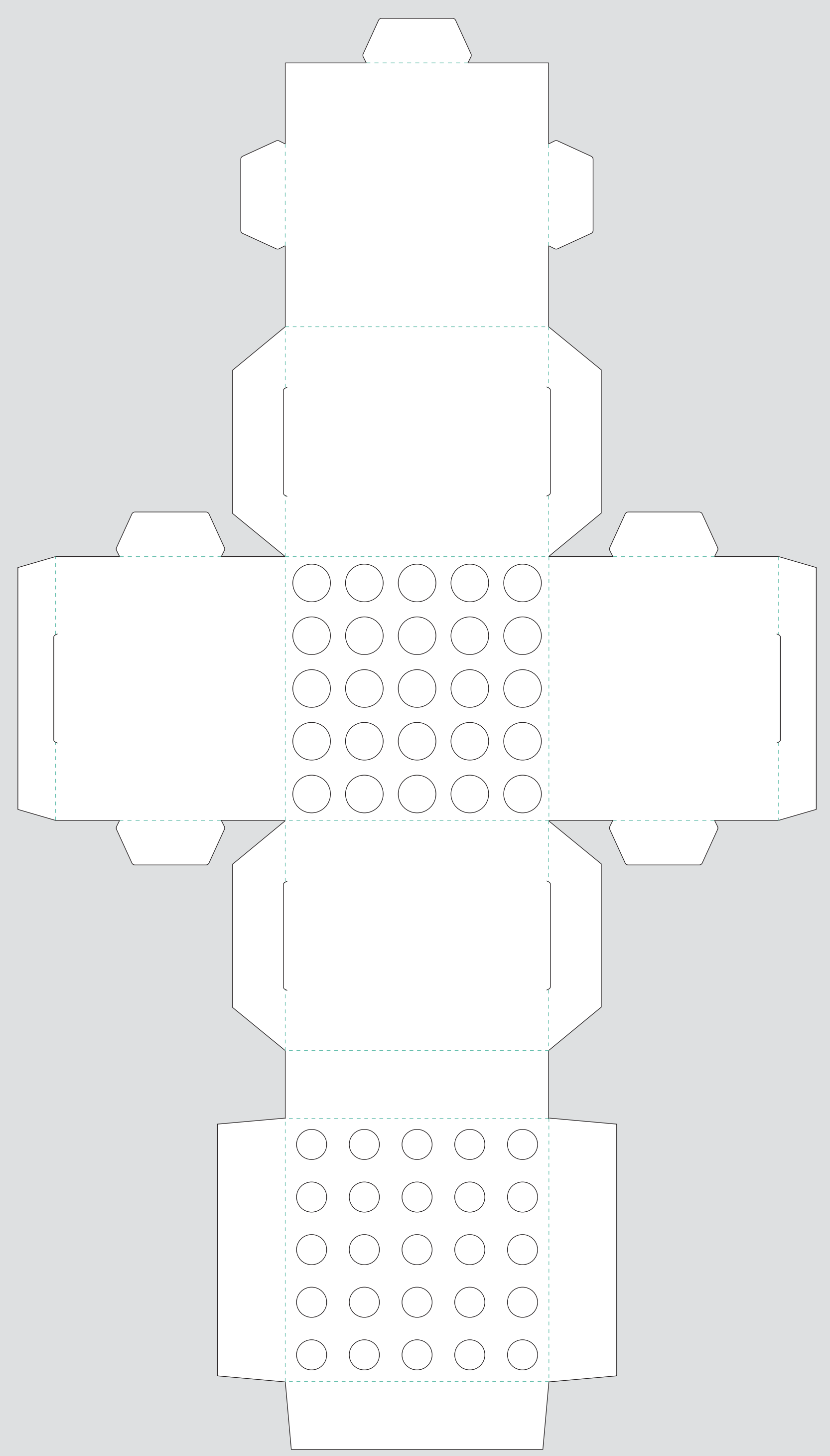
OUTSIDE COVER



14mm 74.5mm 74.5mm 74.5mm 74.5mm

14mm
75mm
145mm
75mm
14mm

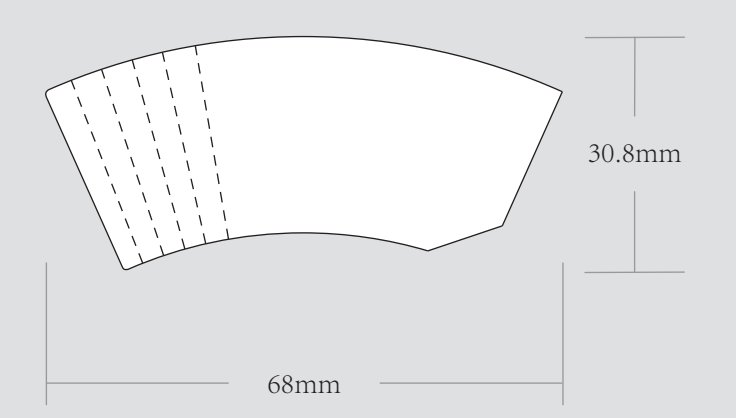
BASE



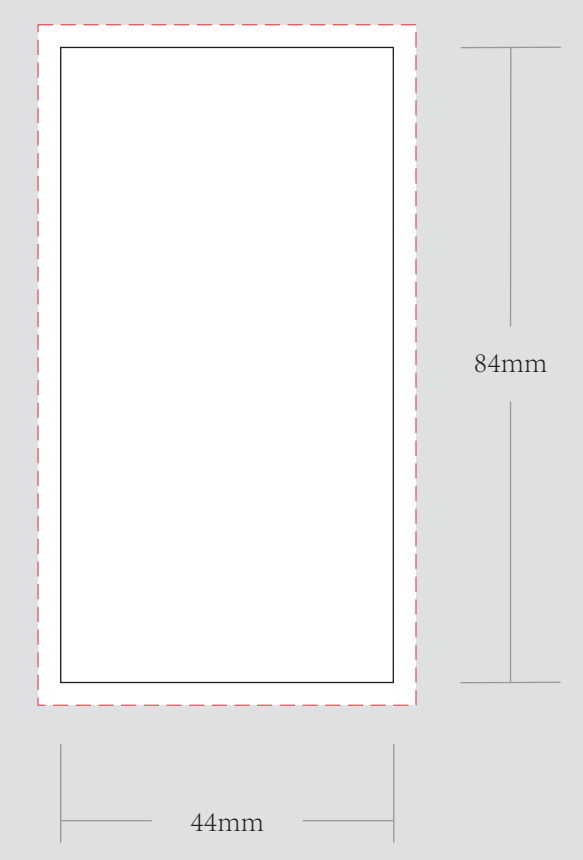
61mm 70mm 61mm

70mm
61mm
70mm
61mm
18mm
70mm

TIPS/CRUTCH

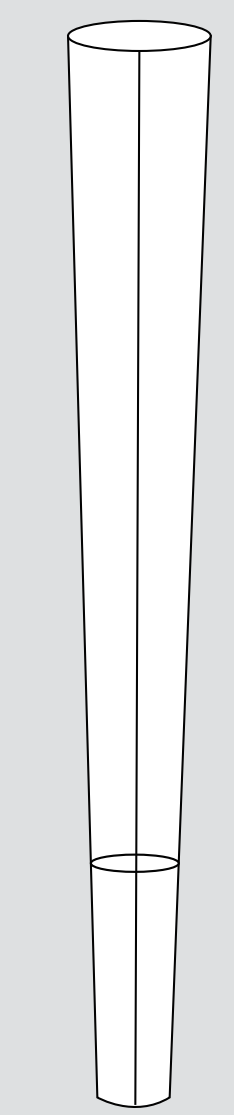


PAPER



44mm

PRE ROLL CONE EXAMPLE



THIS 3D MOCK UP IS JUST AN EXAMPLE AND NOT AN ACTUAL

BOX ASSEMBLED

