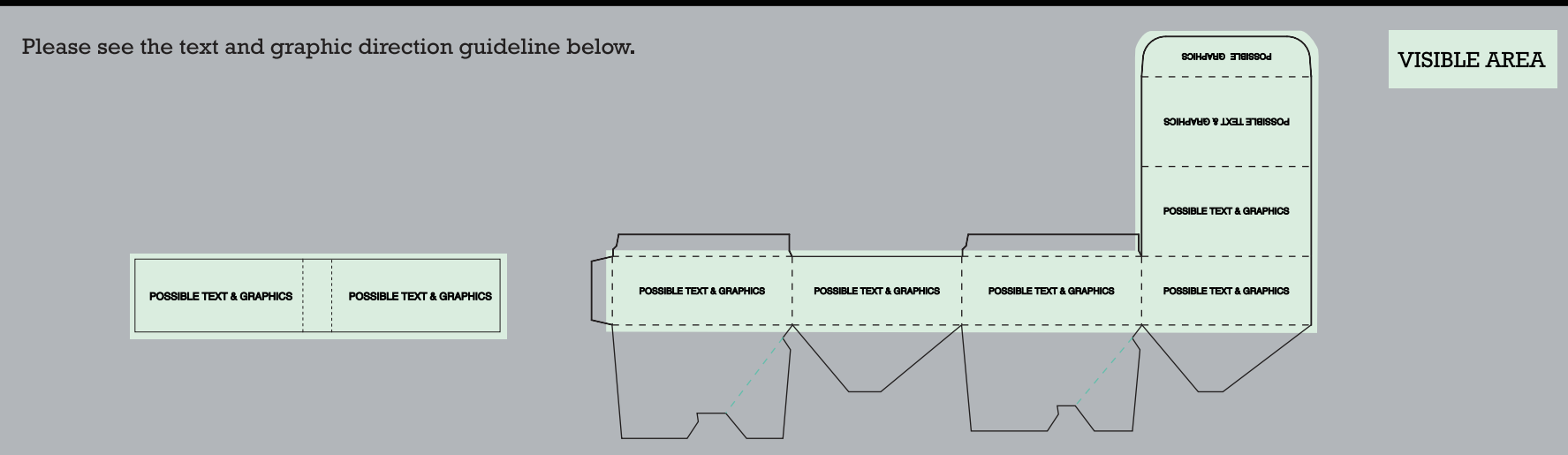


| ORDER DETAILS   |                   |
|-----------------|-------------------|
| MOCKUP NO.      | WUFOO.            |
| INQUIRY NO.     | INQUIRY.V1        |
| ORDER NO.       |                   |
| PRODUCT DETAILS |                   |
| SIZE            | 58*25 mm          |
| PAPER TYPE      |                   |
| QUANTITY        |                   |
| BOX PACKING     | 50 BOOKLETS A BOX |
| VALUE ADDITION  |                   |
| PRINTING EFFECT | CMYK              |

\_\_\_\_\_ DIE CUT LINE  
 - - - - - FOLD LINE  
 - - - - - BLEED LINE

**REMARKS:**  
 - Artwork should be submitted in AI, EPS, PDF, CDR, PSD.  
 - For JPEG, PNG and PSD please submit your artwork with a minimum of 300dpi



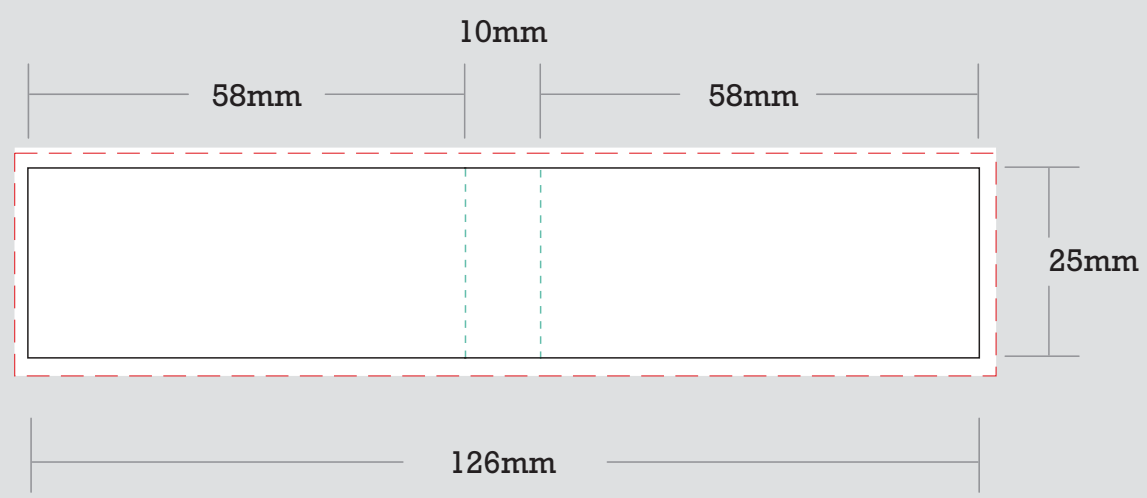
I accept the artwork and understand that any mistakes or omissions is my responsibility.

DATE: .....

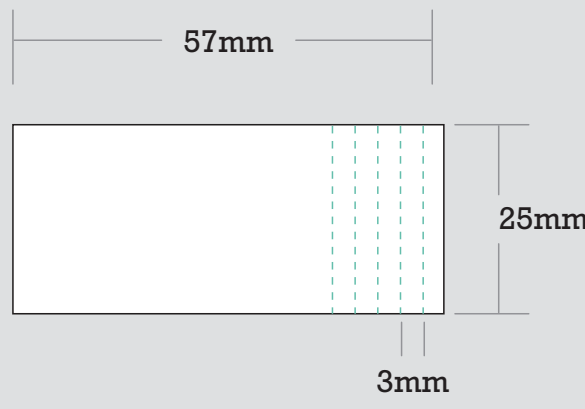
PRINT NAME: .....

APPROVAL SIGNATURE: .....

**COVER**



**FILTER TIPS**



**DISPLAY BOX**

