

ORDER DETAILS	
MOCKUP NO.	
INQUIRY NO.	INQUIRY..V1
ORDER NO.	
PRODUCT DETAILS	
SIZE	ONE AND A QUARTER SIZE (O&Q)
PAPER TYPE	
QUANTITY	
BOX PACKING	22 BOOKLETS A BOX
VALUE ADDITION	12 PAPERS+12TIPS
PRINTING EFFECT	CMYK

———— DIE CUT LINE  
 - - - - - FOLD LINE  
 - - - - - BLEED LINE

**REMARKS:**  
 - Artwork should be submitted in AI, EPS, PDF, CDR, PSD.  
 - For JPEG, PNG and PSD please submit your artwork with a minimum of 300dpi

Please see the text and graphic direction guideline below.

VISIBLE AREA

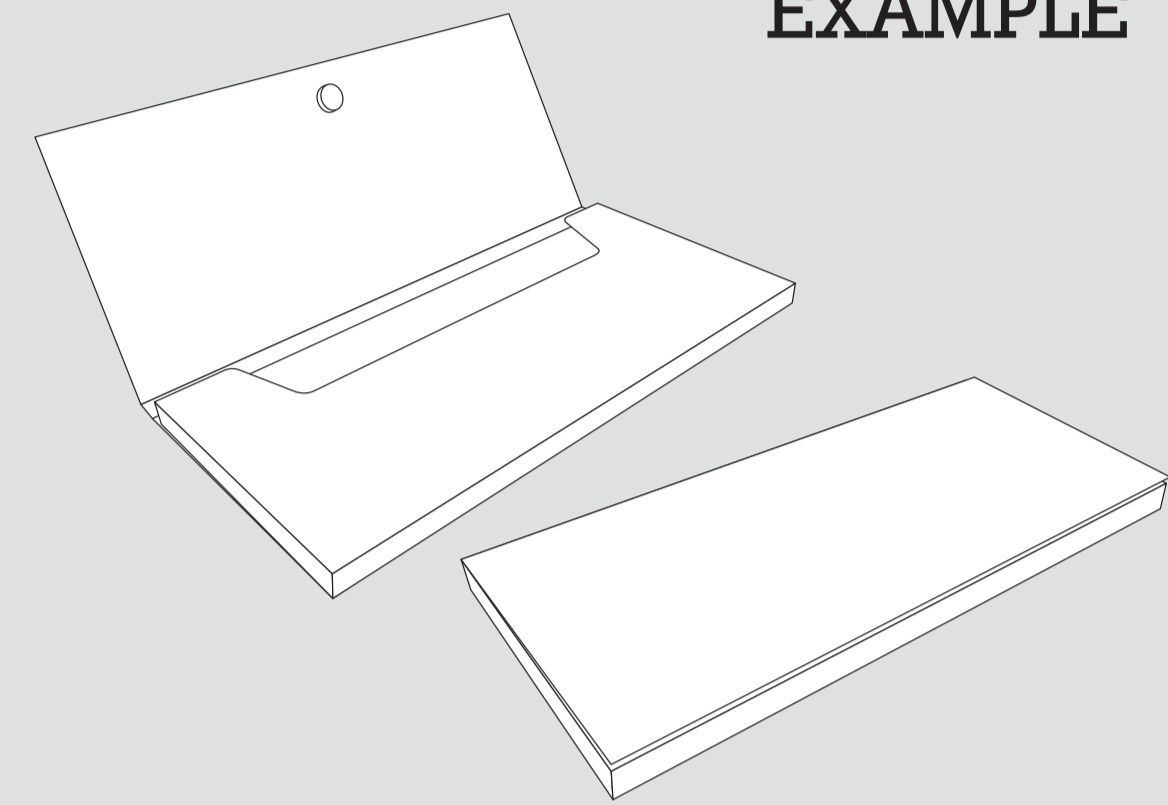
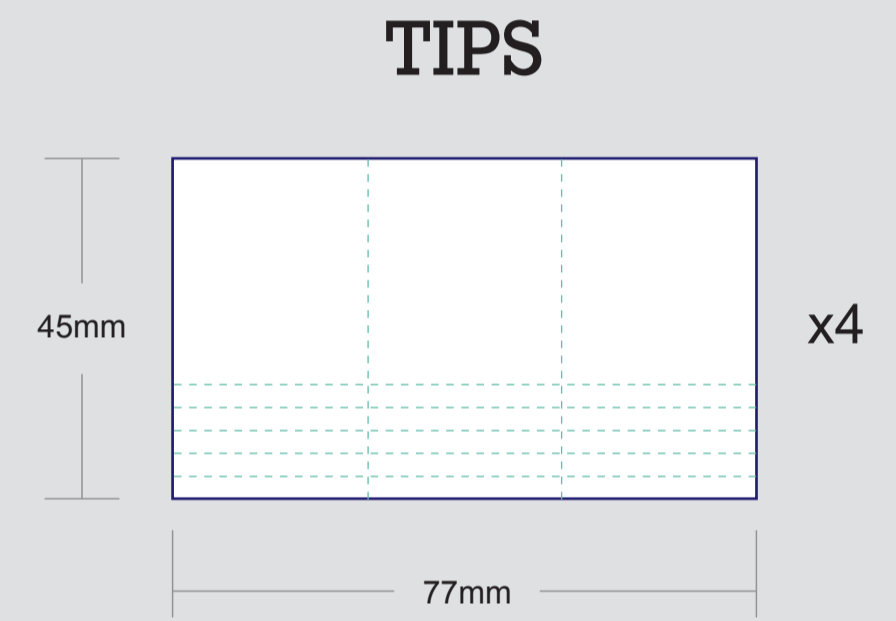
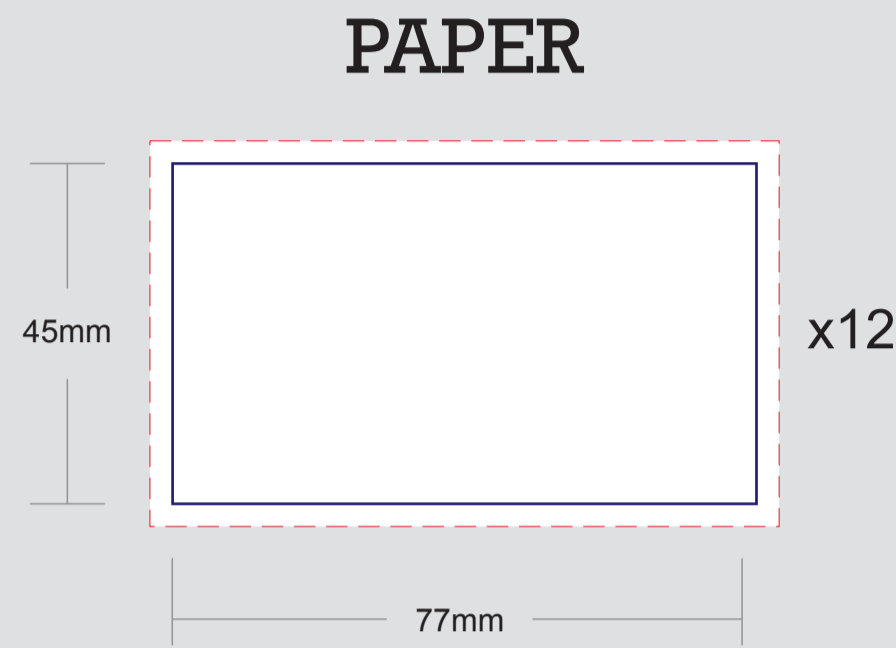
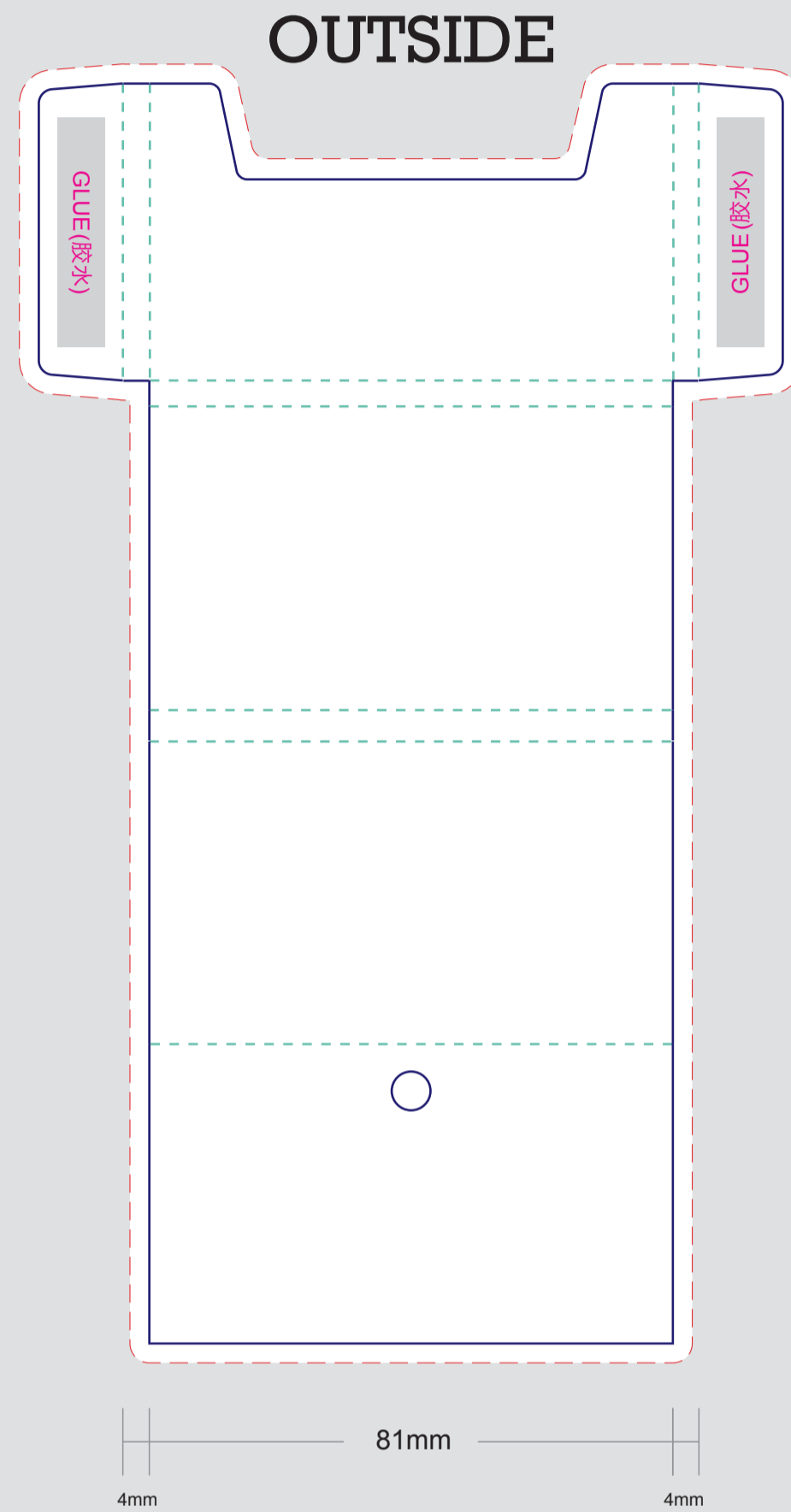
I accept the artwork and understand that any mistakes or omissions is my responsibility.

DATE: .....

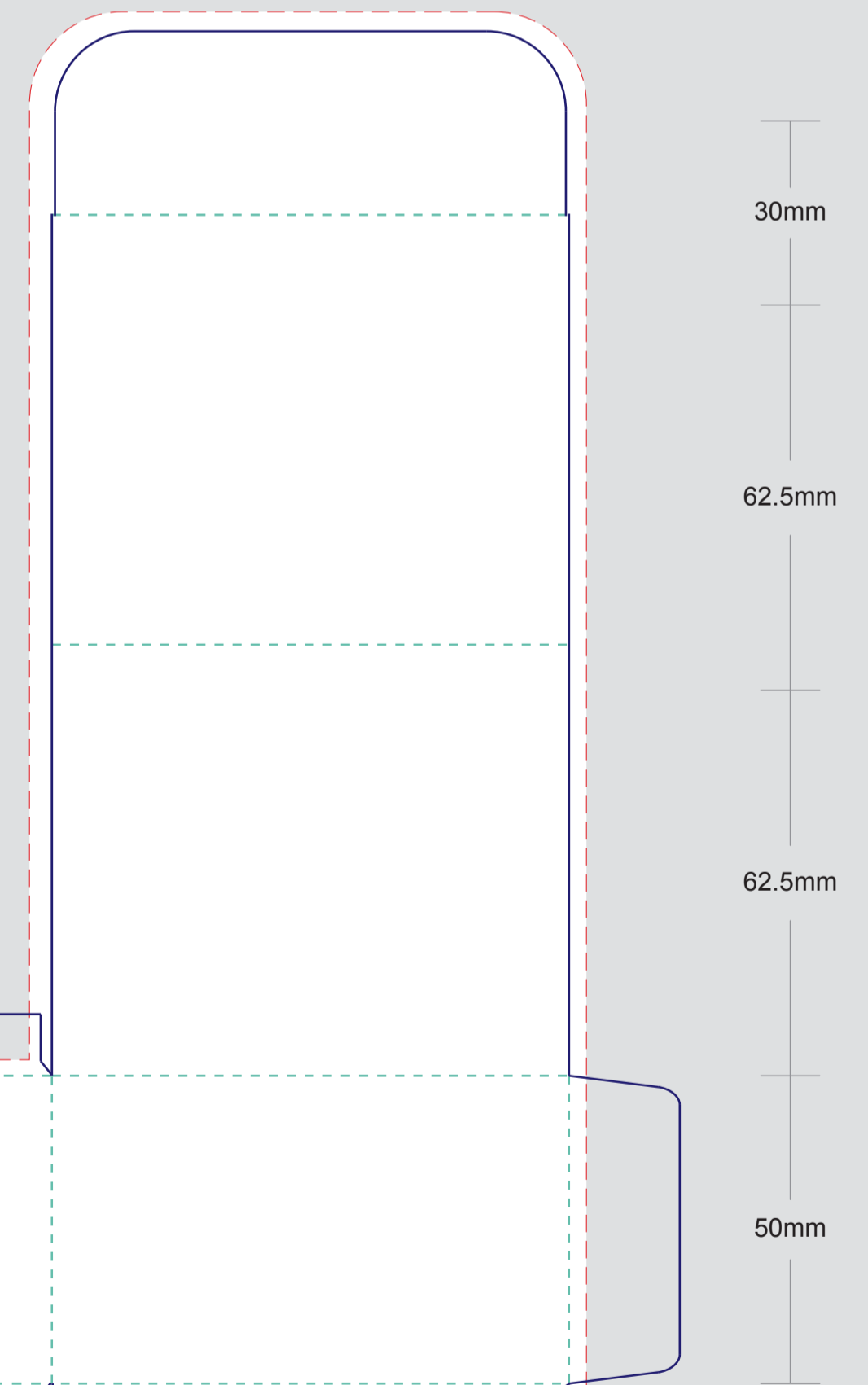
PRINT NAME: .....

APPROVAL SIGNATURE: .....

**Carton Requirements: Corrugated Paper+Woven Bag**  
**外箱要求: 五层瓦楞纸外加一个编织袋。**



**DISPLAY BOX**



**BOOKLET DOTTED LINE NEED MAKING FOLDING LINE**  
**小册子的虚线做折痕线**

THIS LINE MAKING TEAR LINE  
**这条线做撕割线**

THIS LINE MAKING TEAR LINE  
**这条线做撕割线**

