

ORDER DETAILS	
MOCKUP NO.	
INQUIRY NO.	INQUIRY.V1
ORDER NO.	
PRODUCT DETAILS	
SIZE	KING SLIM SIZE
PAPER TYPE	
QUANTITY	
BOX PACKING	22 BOOKLETS A BOX
VALUE ADDITION	12 PAPERS+12 TIPS
PRINTING EFFECT	CMYK

— DIE CUT LINE
- - - FOLD LINE
- - - BLEED LINE

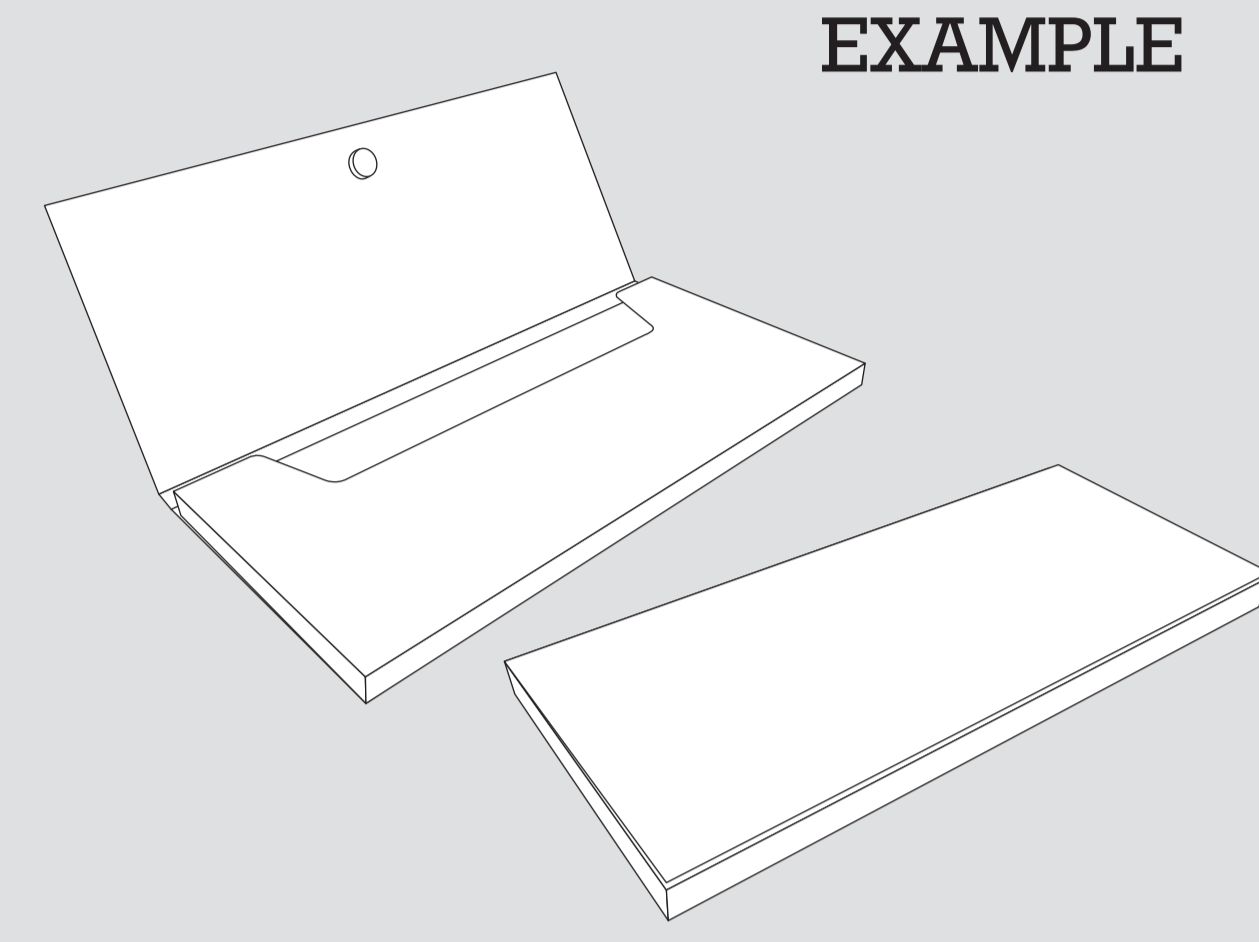
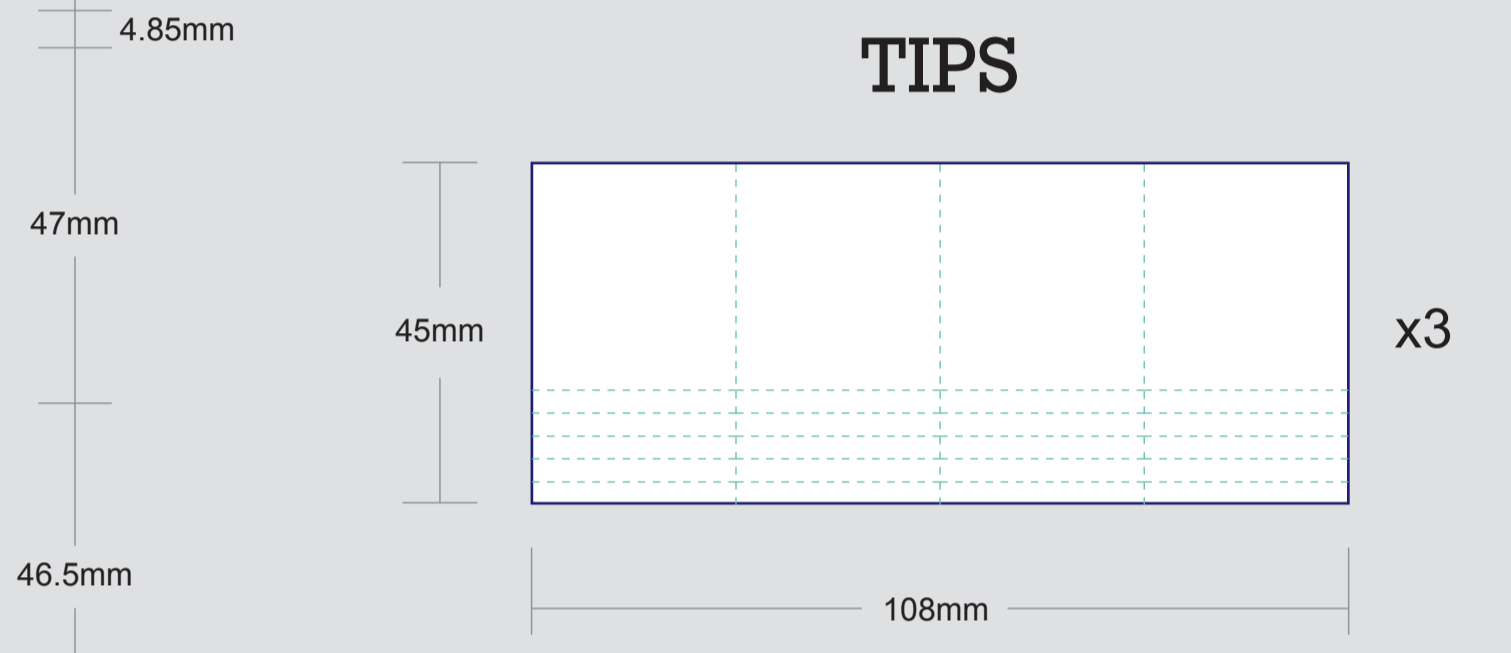
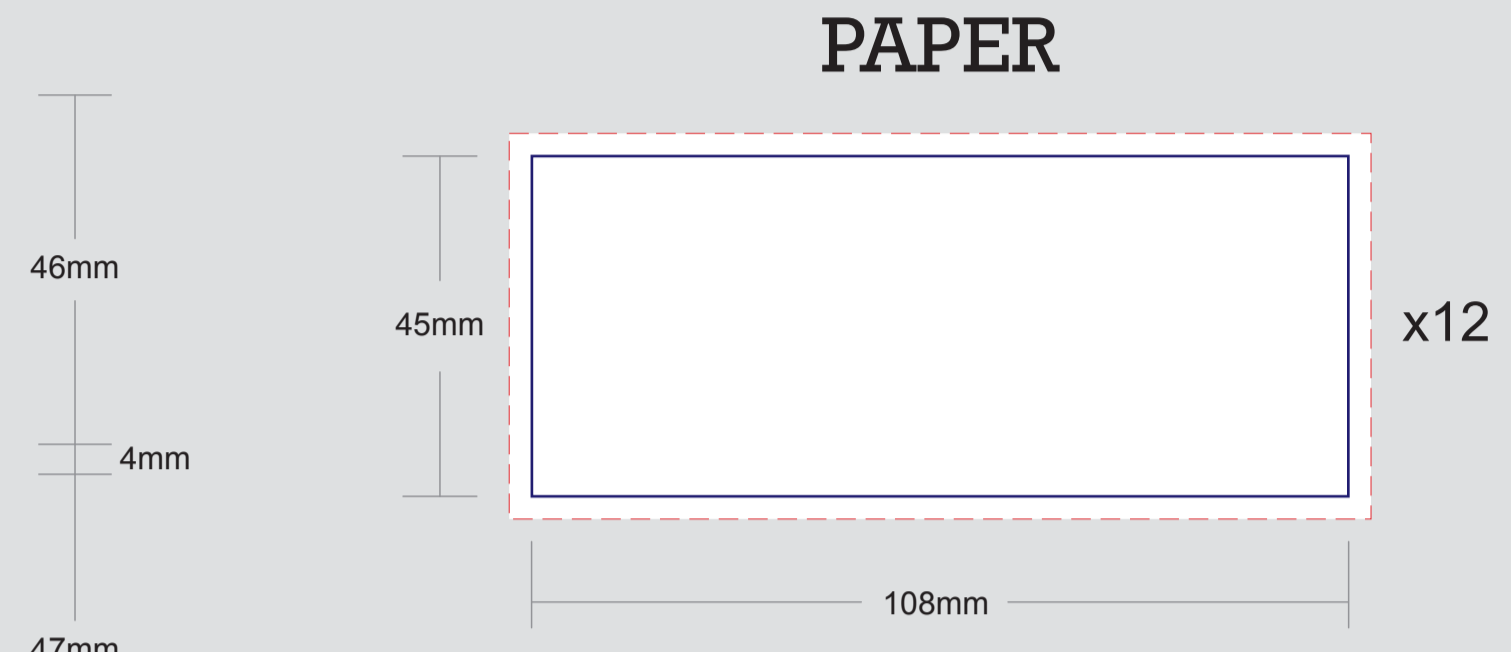
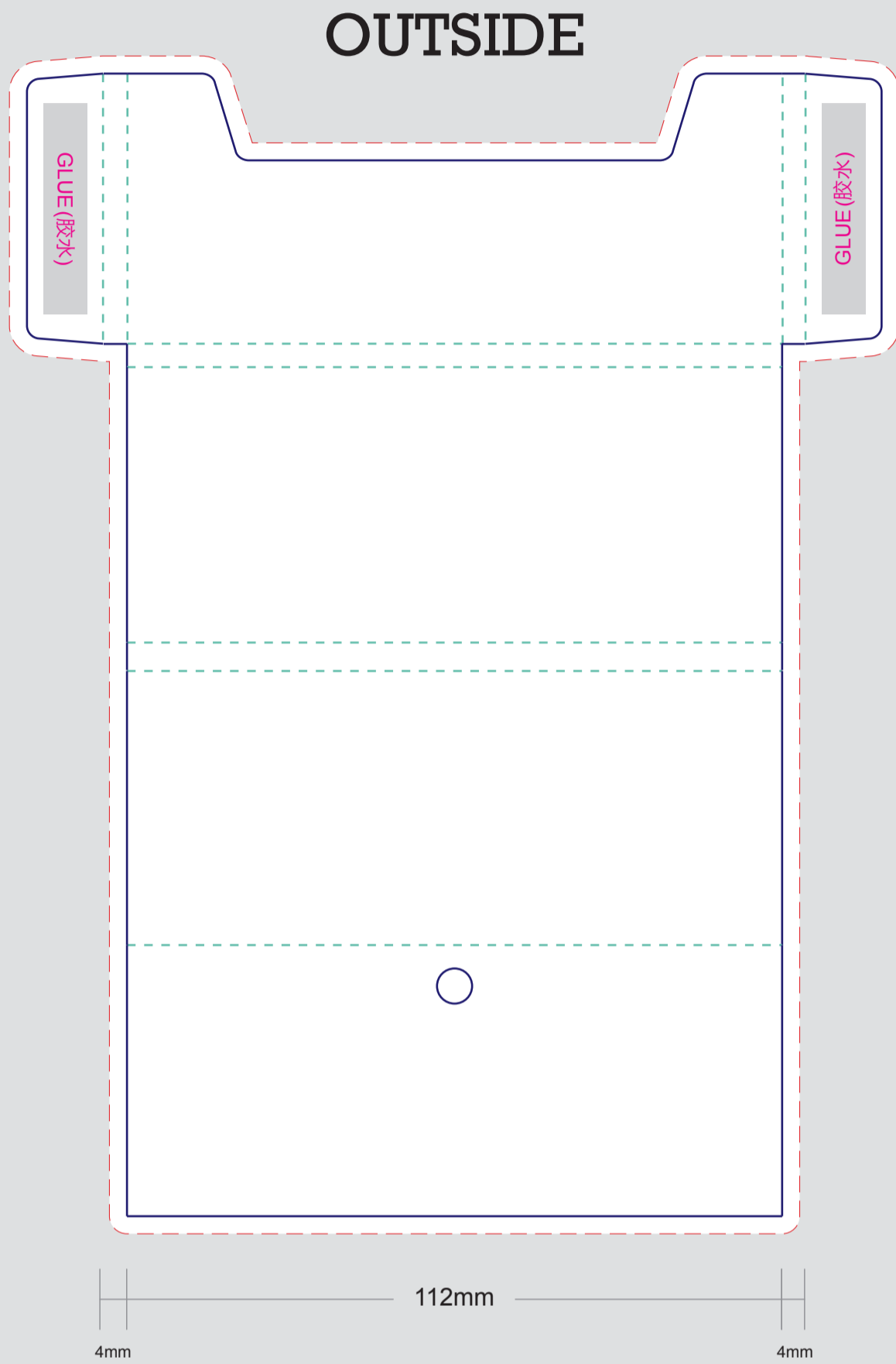
REMARKS:
 - Artwork should be submitted in AI, EPS, PDF, CDR, PSD.
 - For JPEG, PNG and PSD please submit your artwork with a minimum of 300dpi

Please see the text and graphic direction guideline below.

VISIBLE AREA

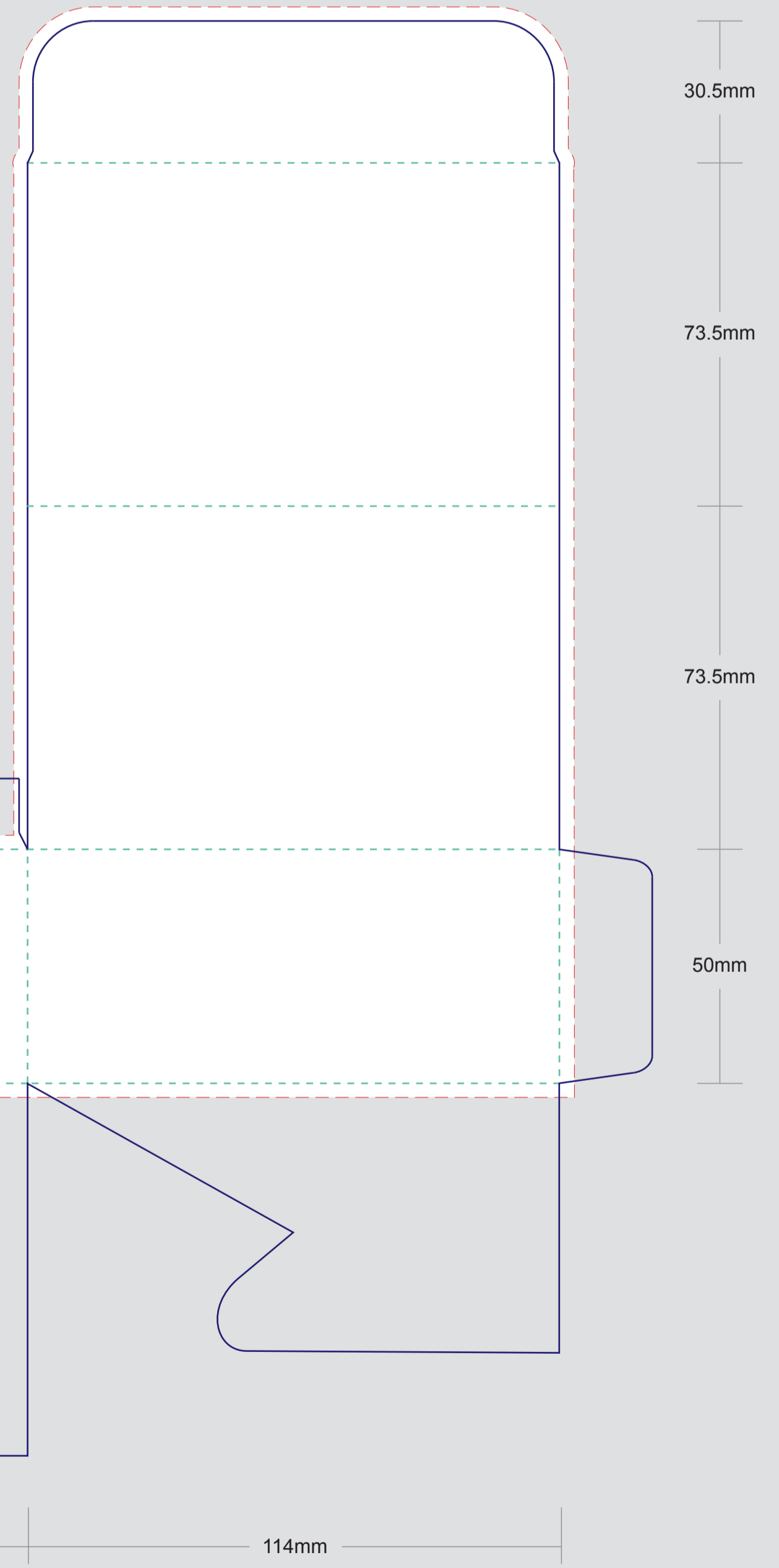
I accept the artwork and understand that any mistakes or omissions is my responsibility.
 DATE:
 PRINT NAME:
 APPROVAL SIGNATURE:

Carton Requirements: Corrugated Paper+Woven Bag
外箱要求: 五层瓦楞纸外加一个编织袋。



EXAMPLE

DISPLAY BOX



BOOKLET DOTTED LINE NEED MAKING FOLDING LINE
小册子的虚线做折痕线

THIS LINE MAKING TEAR LINE
这条线做撕裂线

