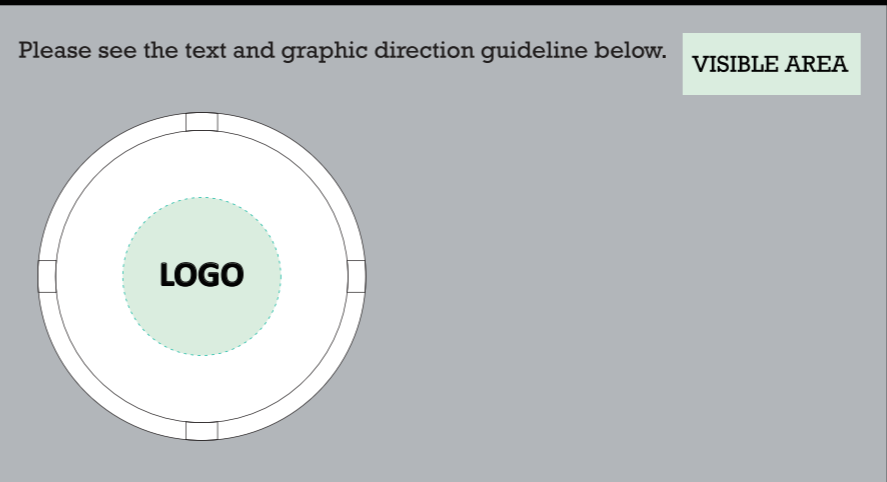


ORDER DETAILS	
MOCKUP NO.	WUFOO.
INQUIRY NO.	INQUIRY..V1
ORDER NO.	
PRODUCT DETAILS	
SIZE	DIA.83 MM CIRCLE ASTRAY
COLOR	
QUANTITY	
VALUE ADDITION	
PRINTING EFFECT	CMYK

**DIE CUT LINE**

REMARKS:  
 - Artwork should be submitted in AI, EPS, PDF, CDR, PSD.  
 - For JPEG, PNG and PSD please submit your artwork with a minimum of 300dpi



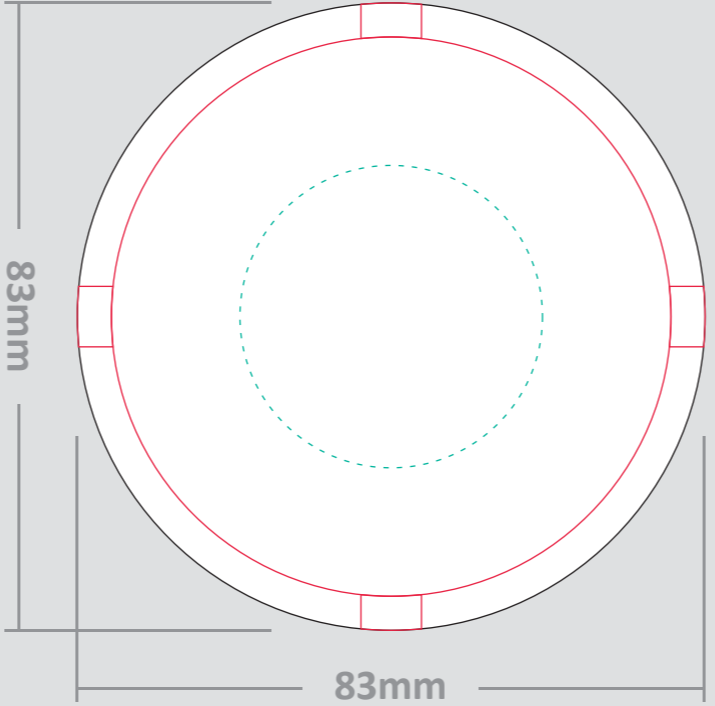
I accept the artwork and understand that any mistakes or omissions is my responsibility.

DATE: .....

PRINT NAME: .....

APPROVAL SIGNATURE: .....

**INSIDE**



Logo: 1 color printing  
 Logo do not over dia.40mm

**EXMPLE**

