

ORDER DETAILS	
MOCKUP NO.	WUFOO.
INQUIRY NO.	INQUIRY..V1
ORDER NO.	
PRODUCT DETAILS	
SIZE	DIA. 37MM
QUANTITY	
VALUE ADDITION	
PRINTING EFFECT	CMYK

_____ DIE CUT LINE
 - - - - - FOLD LINE

REMARKS:
 - Artwork should be submitted in AI, EPS, PDF, CDR, PSD.
 - For JPEG, PNG and PSD please submit your artwork with a minimum of 300dpi

Please see the text and graphic direction guideline below.

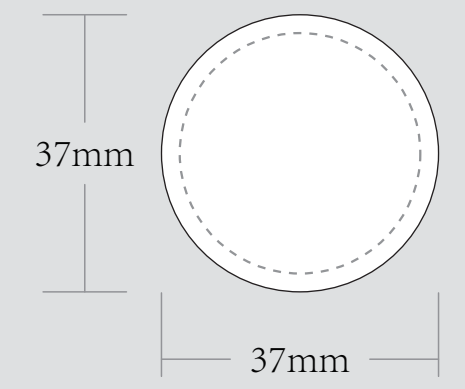
LOGO

VISIBLE AREA

I accept the artwork and understand that any mistakes or omissions is my responsibility.
 DATE:
 PRINT NAME:
 APPROVAL SIGNATURE:

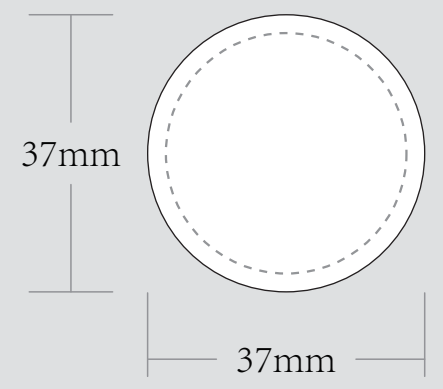
4 DESIGNS 25 PLASTIC POKER FOR EACH

DESIGN 1



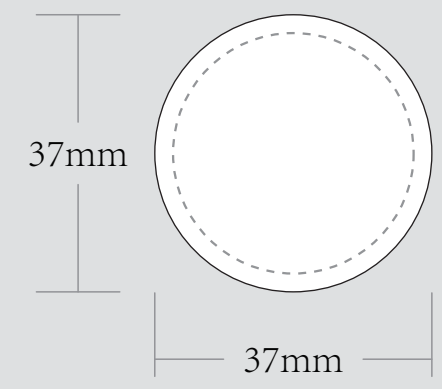
PLEASE PUT THE LOGO INSIDE THE GREY DOTTED LINE

DESIGN 2



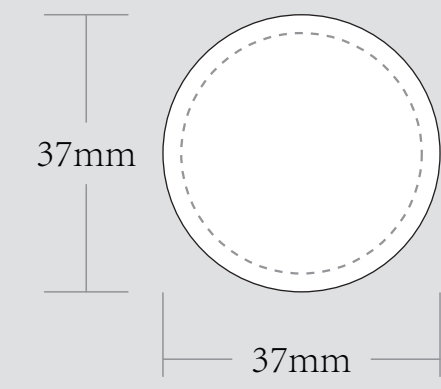
PLEASE PUT THE LOGO INSIDE THE GREY DOTTED LINE

DESIGN 3



PLEASE PUT THE LOGO INSIDE THE GREY DOTTED LINE

DESIGN 4



PLEASE PUT THE LOGO INSIDE THE GREY DOTTED LINE

EXAMPLE



COLOR OPTION:

PLEASE CHOOSING BELOW THESE COLOR FOR BASE