




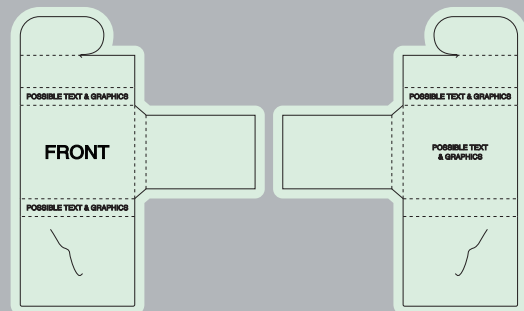
ORDER DETAILS	
MOCKUP NO.	WUFOO.
INQUIRY NO.	INQUIRY.V1
ORDER NO.	
PRODUCT DETAILS	
SIZE	
PAPER TYPE	
QUANTITY	
BOX PACKING	
VALUE ADDITION	
PRINTING EFFECT	CMYK

 **DIE CUT LINE**  
 **FOLD LINE**  
 **BLEED LINE**

**REMARKS:**  
 - Artwork should be submitted in AI, EPS, PDF, CDR, PSD.  
 - For JPEG, PNG and PSD please submit your artwork with a minimum of 300dpi

Please see the text and graphic direction guideline below.

**VISIBLE AREA**



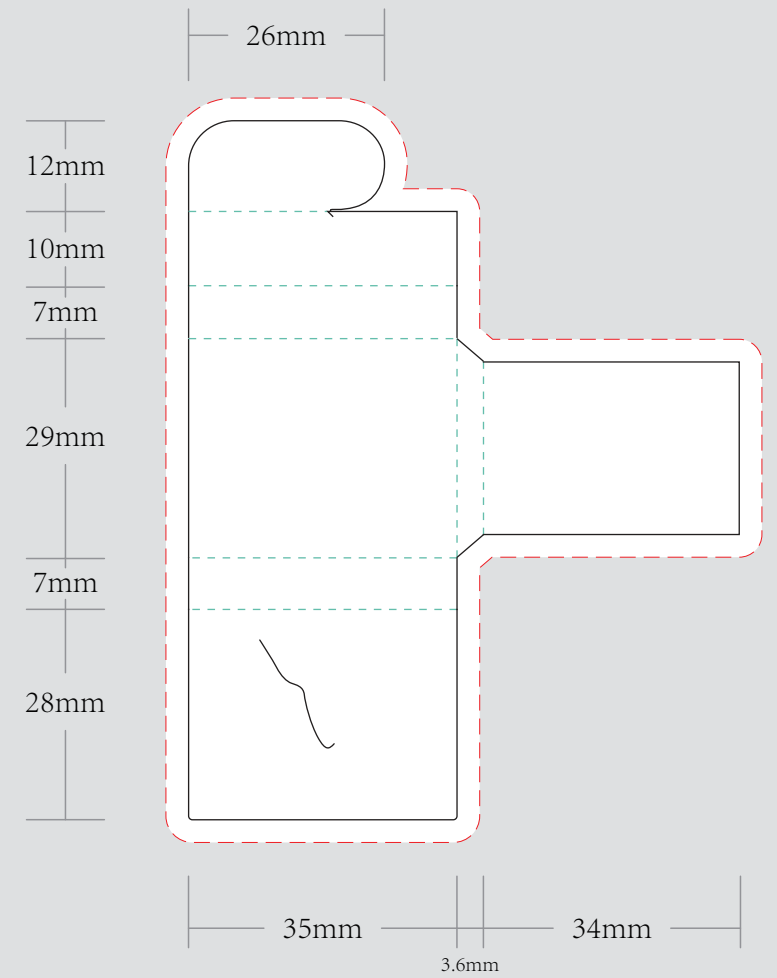
I accept the artwork and understand that any mistakes or omissions is my responsibility.

DATE: .....

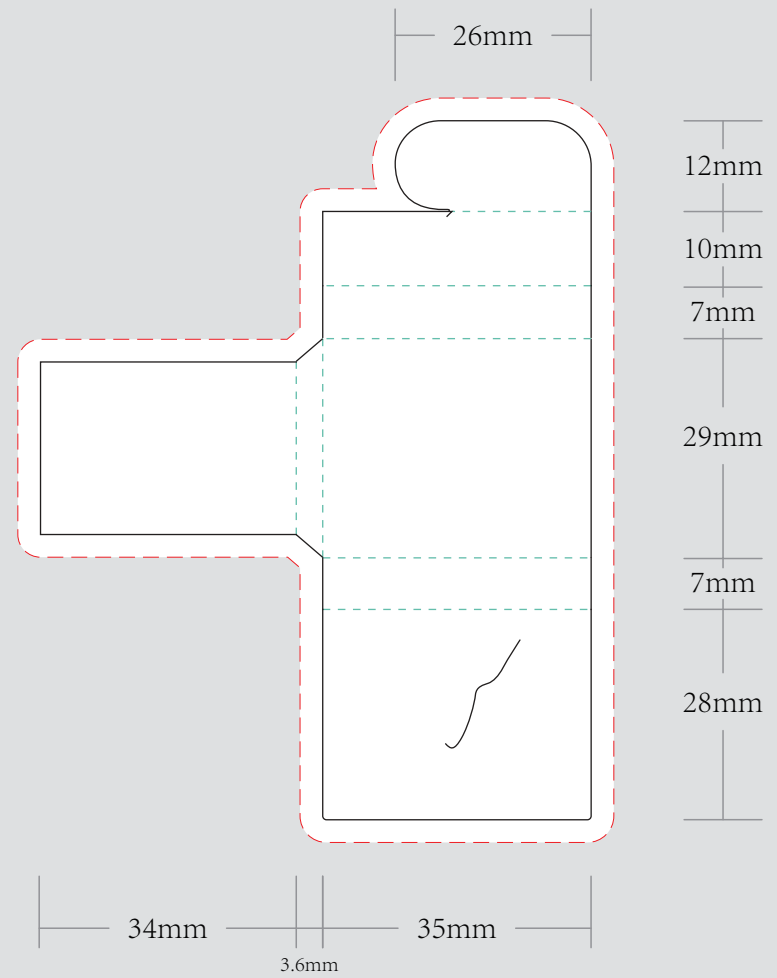
PRINT NAME: .....

APPROVAL SIGNATURE: .....

## HEMP WICK OUTSIDE



## HEMP WICK INSIDE



## EXAMPLE

