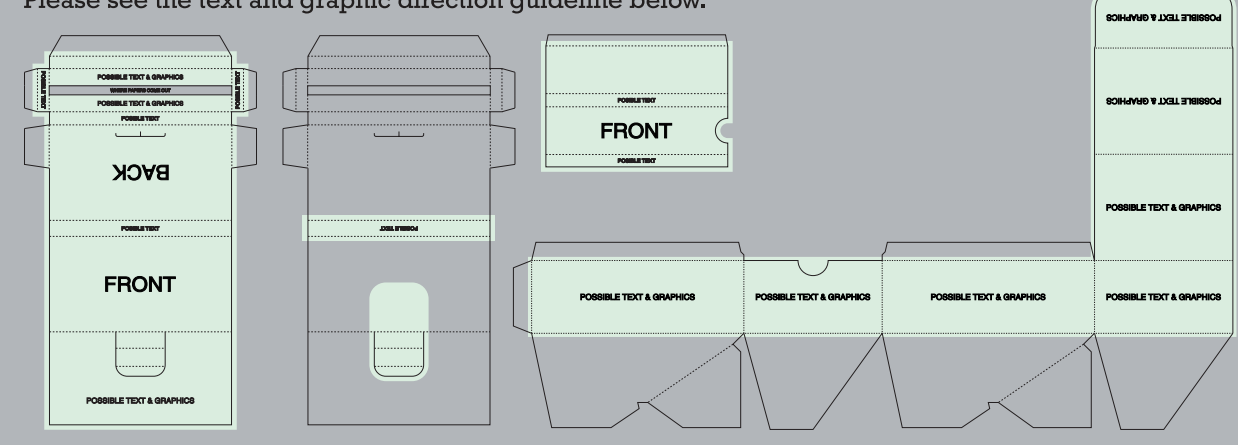


ORDER DETAILS	
MOCKUP NO.	WUFOO.
INQUIRY NO.	INQUIRY_V1
ORDER NO.	
PRODUCT DETAILS	
SIZE	KSS
PAPER TYPE	
QUANTITY	
BOX PACKING	32 LEAVES=16 TIPS PER BOOKLET 16 BOOKLETS A BOX
VALUE ADDITION	
PRINTING EFFECT	CMYK

- DIE CUT LINE
- FOLD LINE
- BLEED LINE

REMARKS:  
 - Artwork should be submitted in AI, EPS, PDF, CDR, PSD.  
 - For JPEG, PNG and PSD please submit your artwork with a minimum of 300dpi

Please see the text and graphic direction guideline below.



VISIBLE AREA

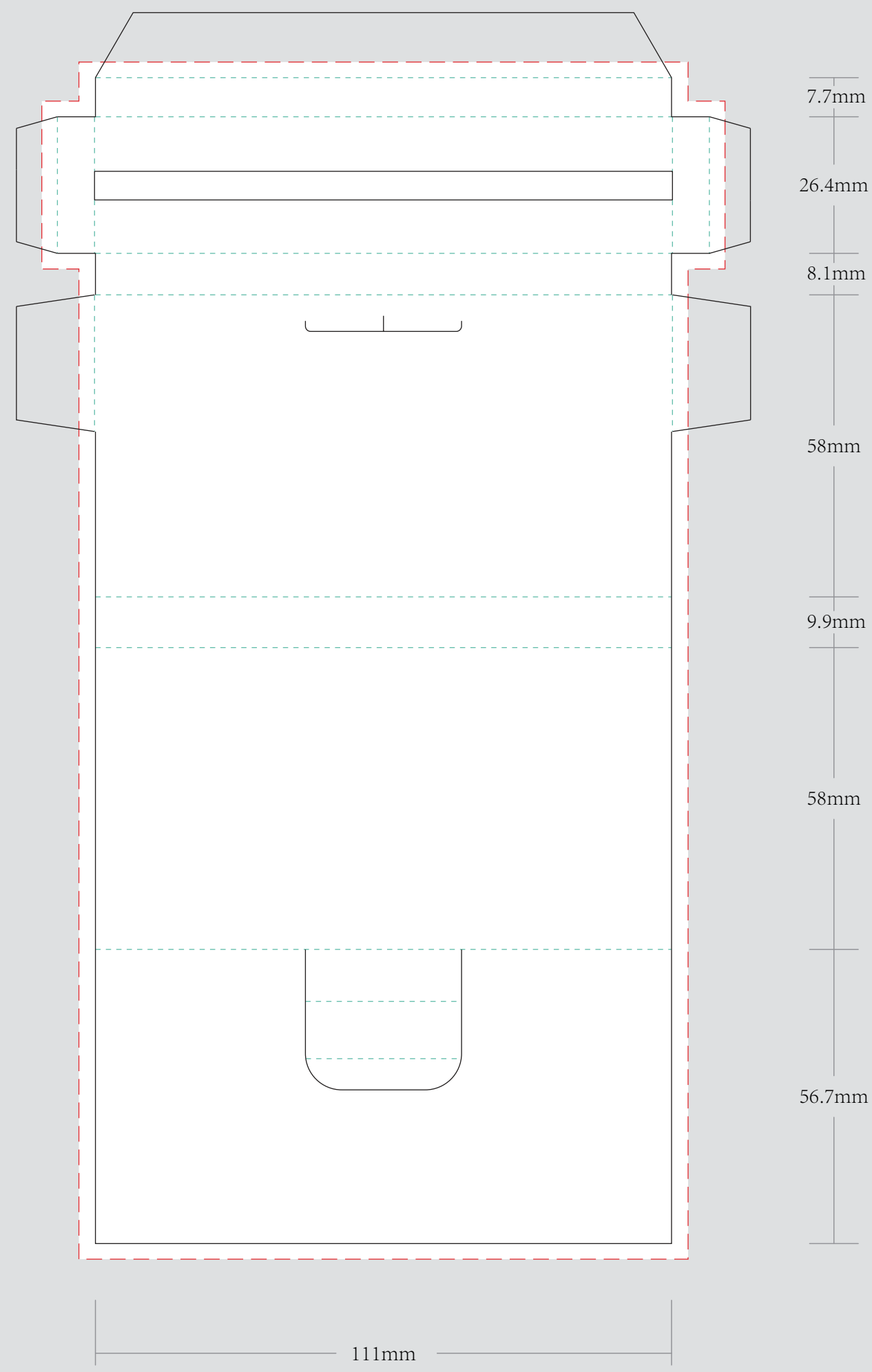
I accept the artwork and understand that any mistakes or omissions is my responsibility.

DATE: .....

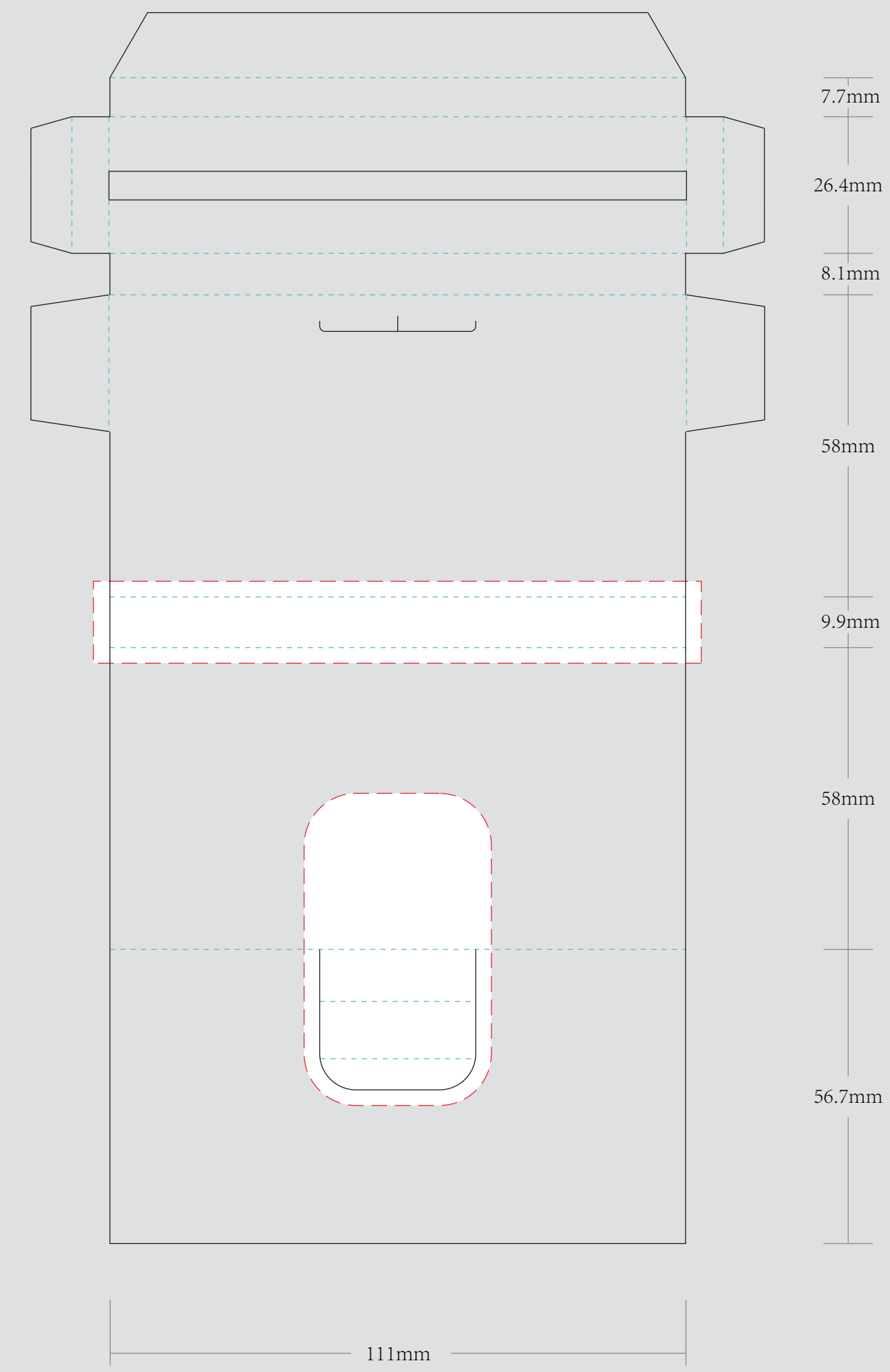
PRINT NAME: .....

APPROVAL SIGNATURE: .....

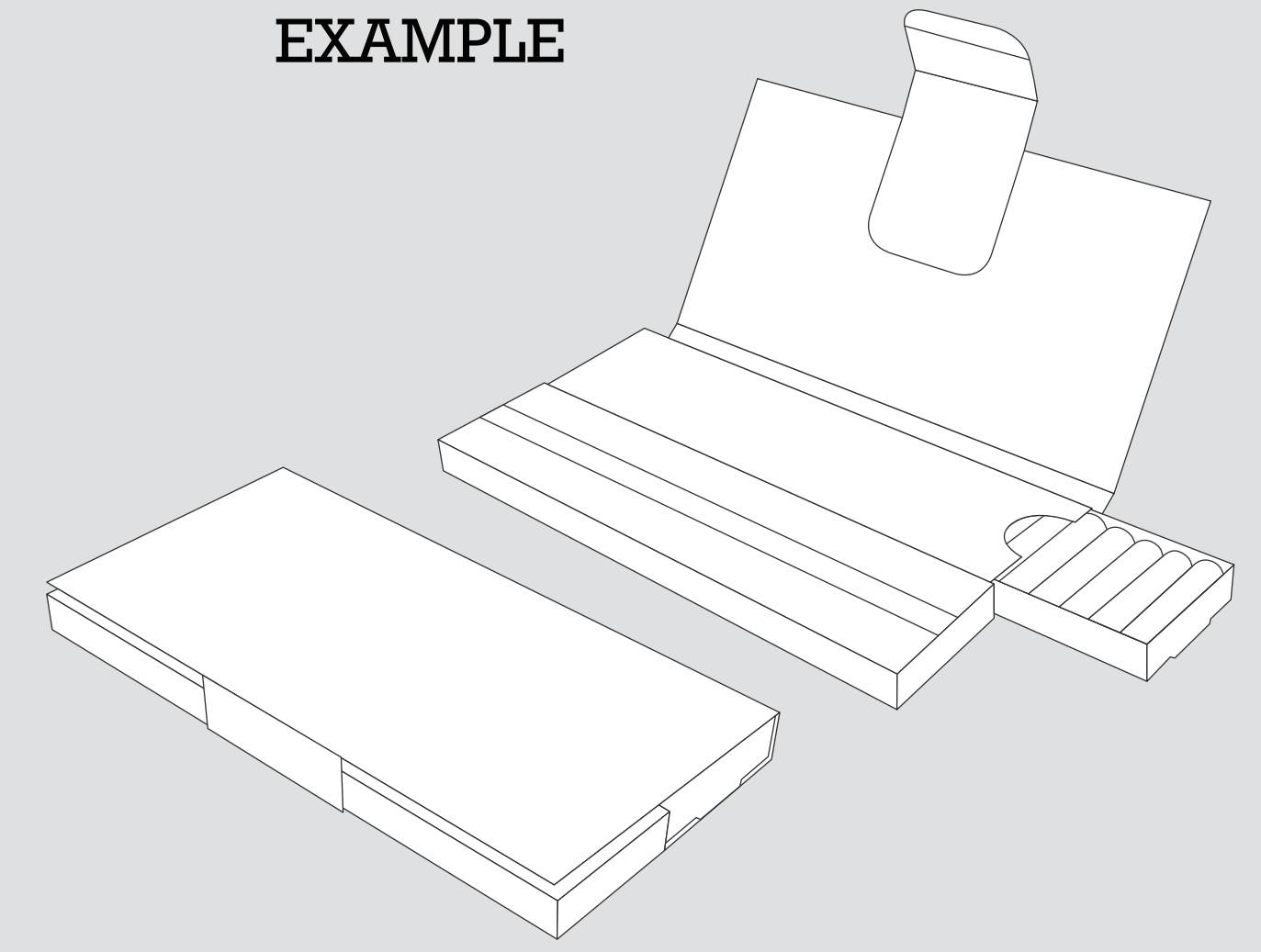
**OUTSIDE**



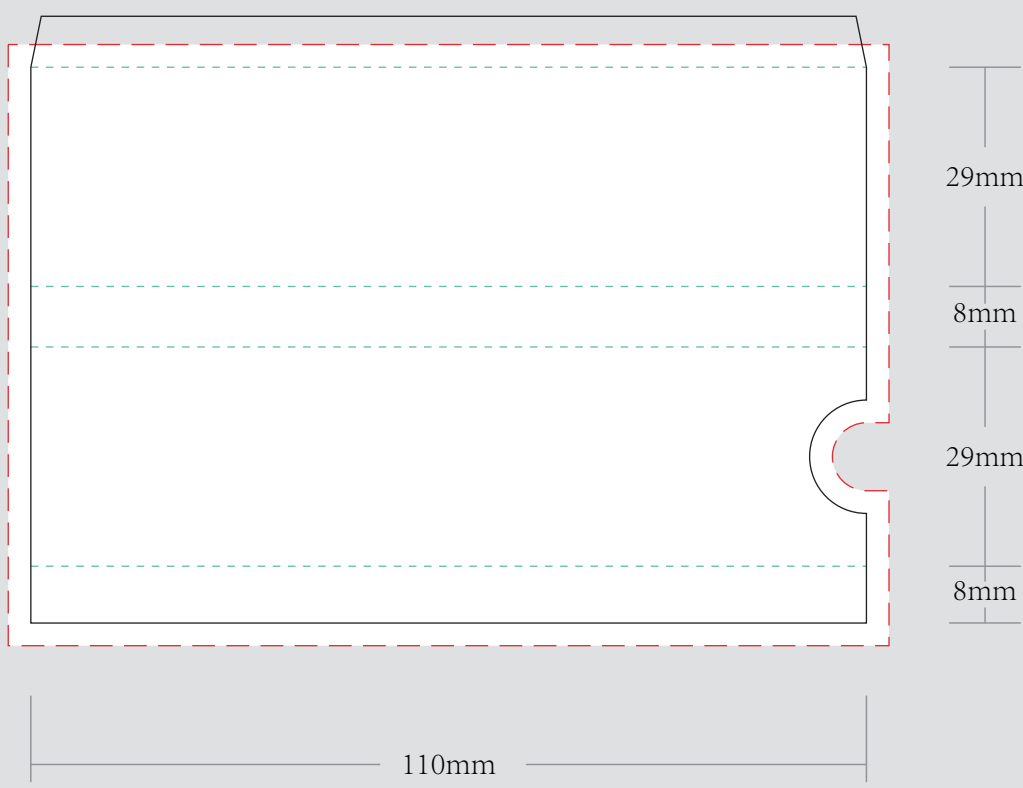
**INSIDE**



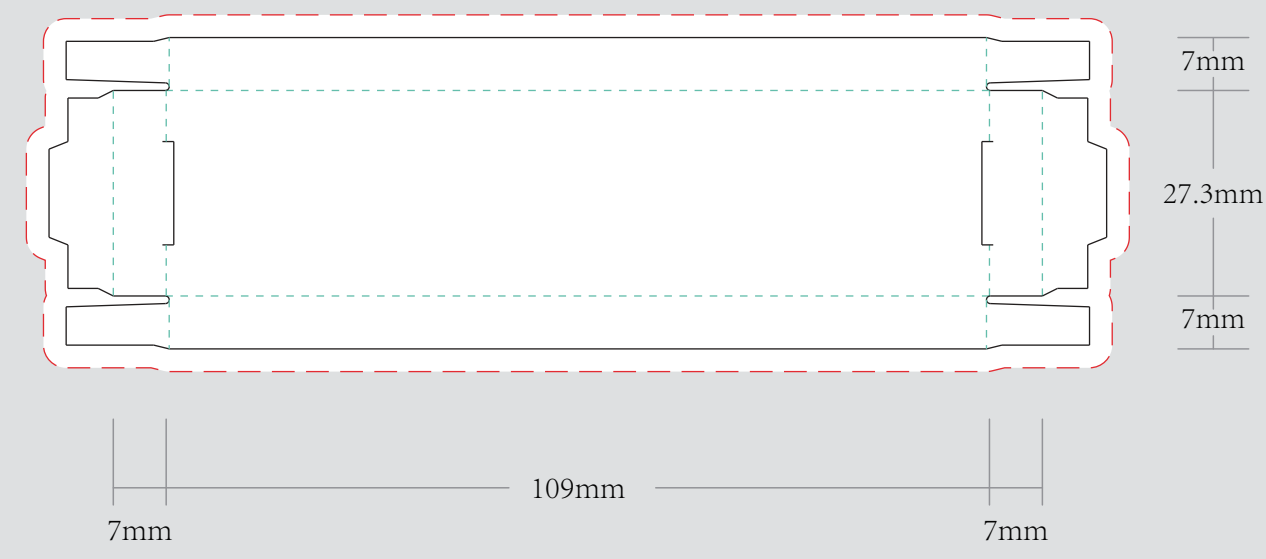
**EXAMPLE**



**DRAWER COVER**



**DRAWER OUTSIDE**



**DISPLAY BOX**

