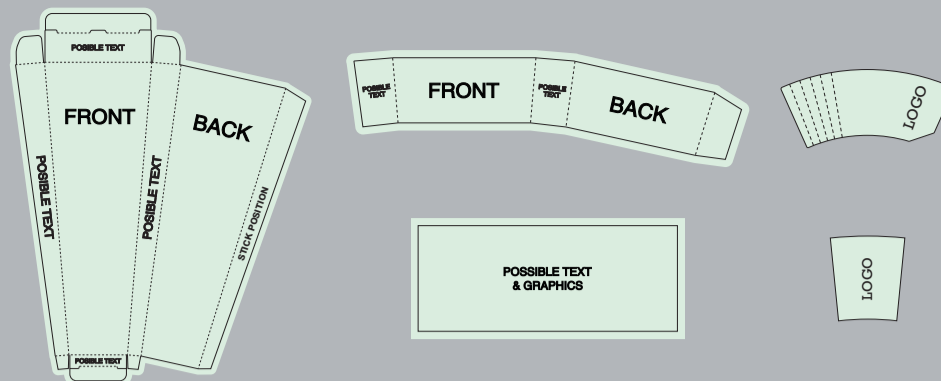


| ORDER DETAILS | |
|-----------------|-------------------|
| MOCKUP NO. | WUFOO. |
| INQUIRY NO. | INQUIRY.V1 |
| ORDER NO. | |
| PRODUCT DETAILS | |
| SIZE | 98 SIZE - 98/26MM |
| PAPER TYPE | |
| QUANTITY | |
| BOX PACKING | 8 CONES PER PACK |
| VALUE ADDITION | |
| PRINTING EFFECT | CMYK |

- DIE CUT LINE
- - - FOLD LINE
- - - BLEED LINE

REMARKS:
 - Artwork should be submitted in AI, EPS, PDF, CDR, PSD.
 - For JPEG, PNG and PSD please submit your artwork with a minimum of 300dpi

Please see the text and graphic direction guideline below.



VISIBLE AREA

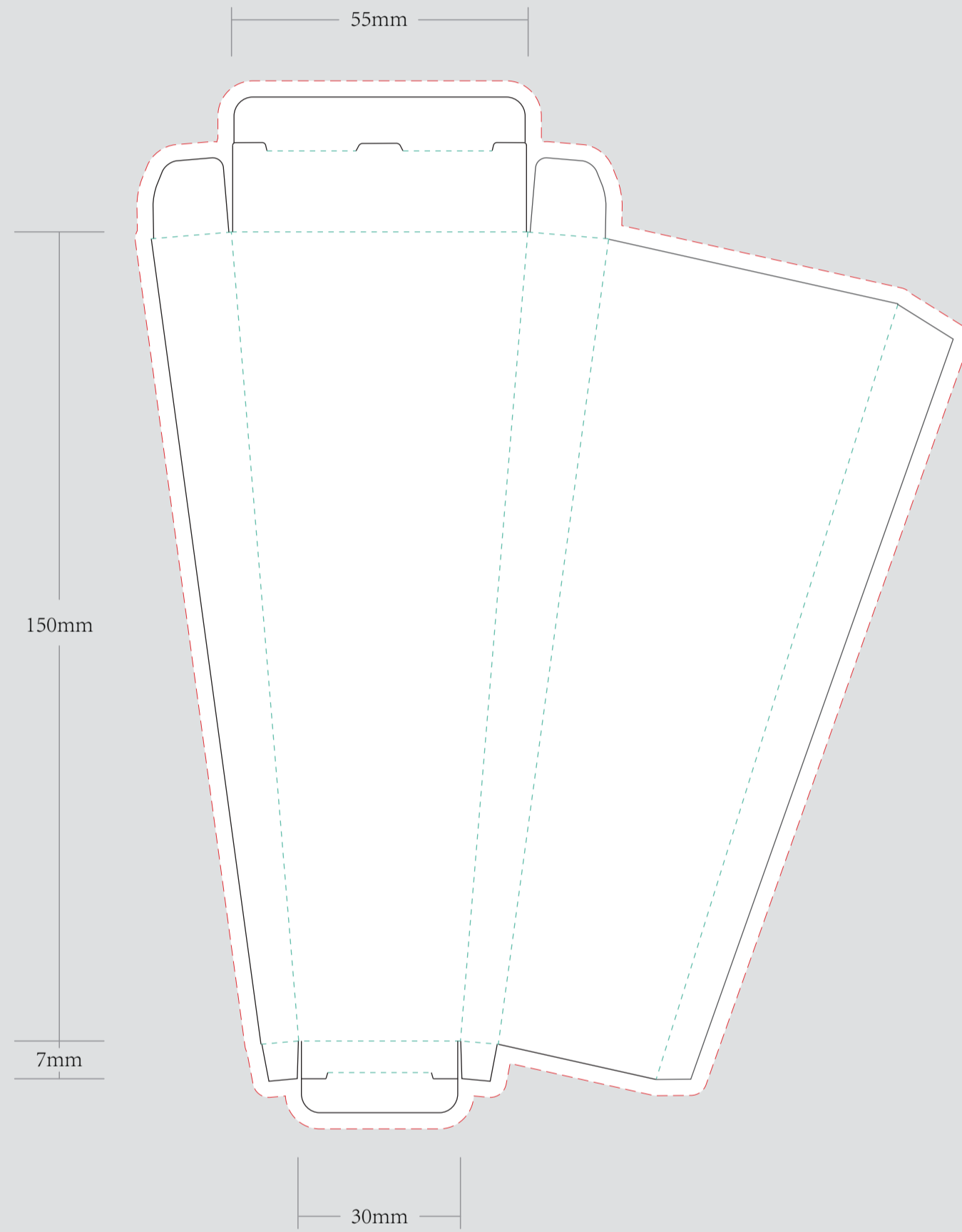
I accept the artwork and understand that any mistakes or omissions is my responsibility.

DATE:

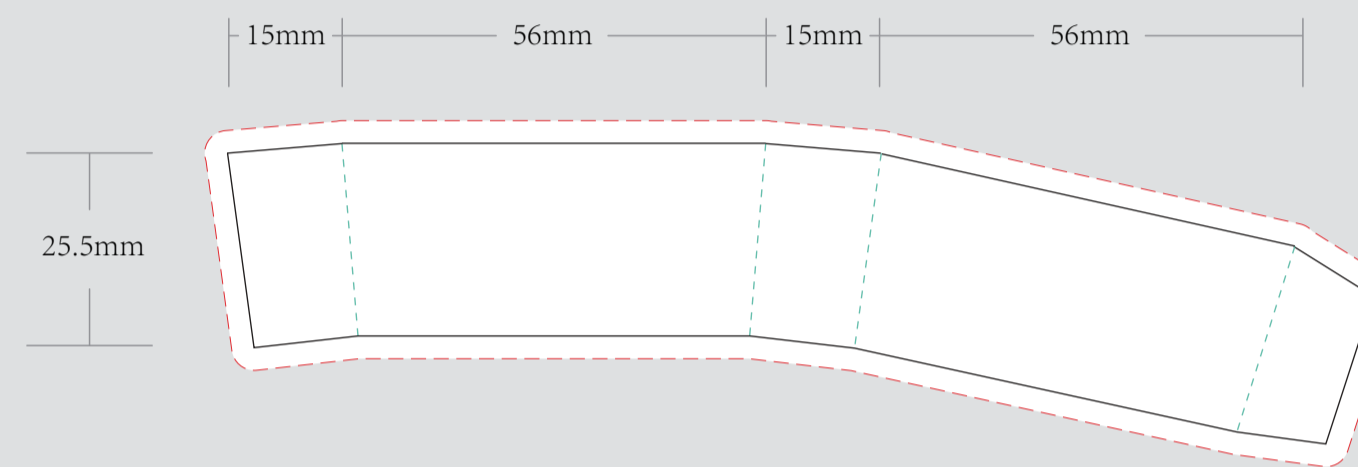
PRINT NAME:

APPROVAL SIGNATURE:

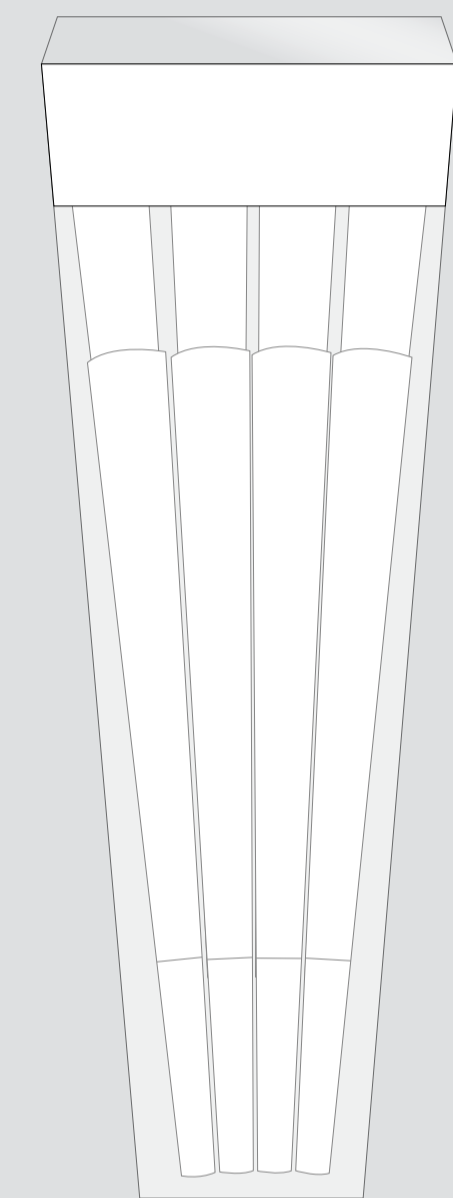
ACETATE BOX



ACETATE BOX SLEEVE



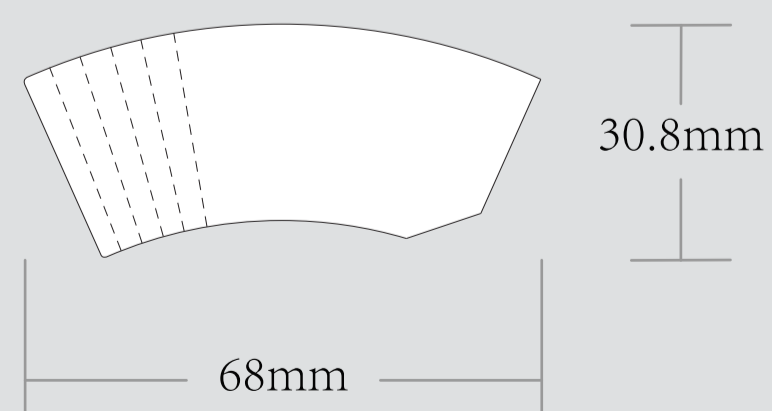
EXAMPLE



CONE PAPERS



TIPS/CRUTCH



OUTSIDE STICKER WRAPPED ON TIPS

