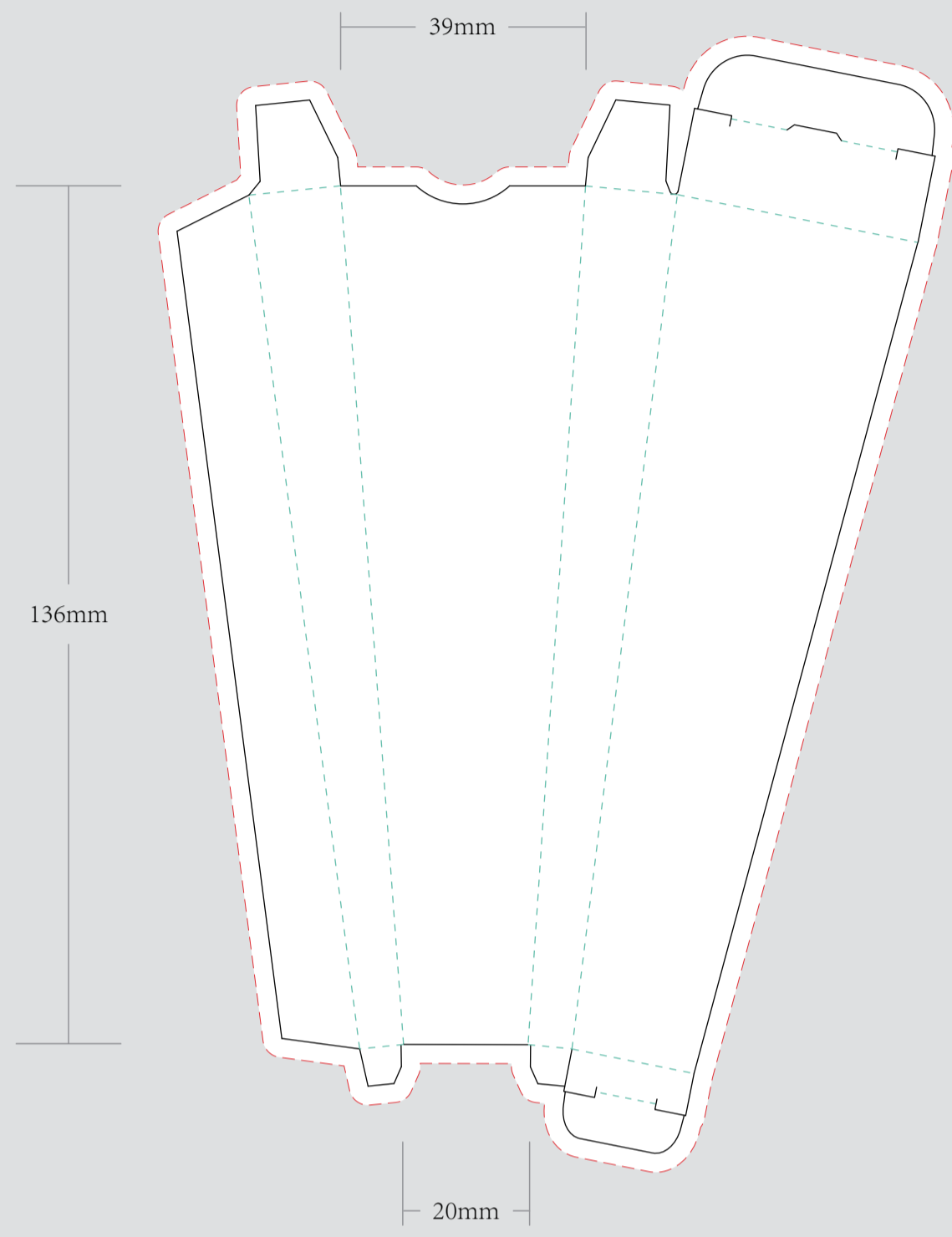
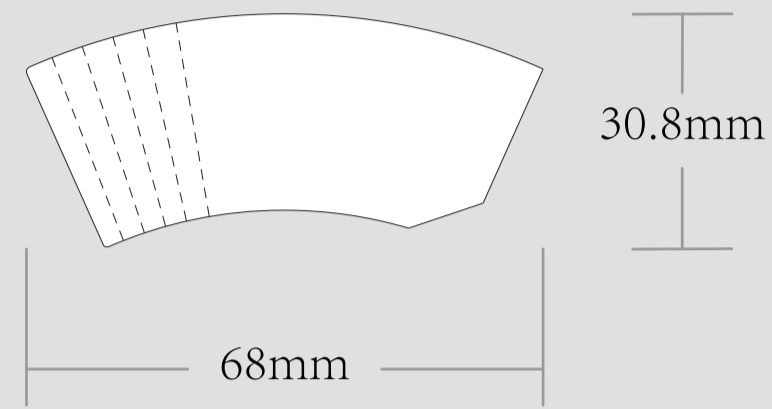


ORDER DETAILS		<p>— DIE CUT LINE - - - FOLD LINE · · · BLEED LINE</p>	<p>Please see the text and graphic direction guideline below.</p>	<p><input type="checkbox"/> I accept the artwork and understand that any mistakes or omissions is my responsibility.</p> <p>DATE:</p> <p>PRINT NAME:</p> <p>APPROVAL SIGNATURE:</p>
MOCKUP NO.	WUFOO.			
INQUIRY NO.	INQUIRY_V1			
ORDER NO.				
PRODUCT DETAILS				
SIZE	98 SIZE			
PAPER TYPE				
QUANTITY				
BOX PACKING	4 CONES PER PACK/30 PACKS PER BOX			
VALUE ADDITION				
PRINTING EFFECT	CMYK			
REMARKS:				
- Artwork should be submitted in AI, EPS, PDF, CDR, PSD.				
- For JPEG, PNG and PSD please submit your artwork with a minimum of 300dpi				

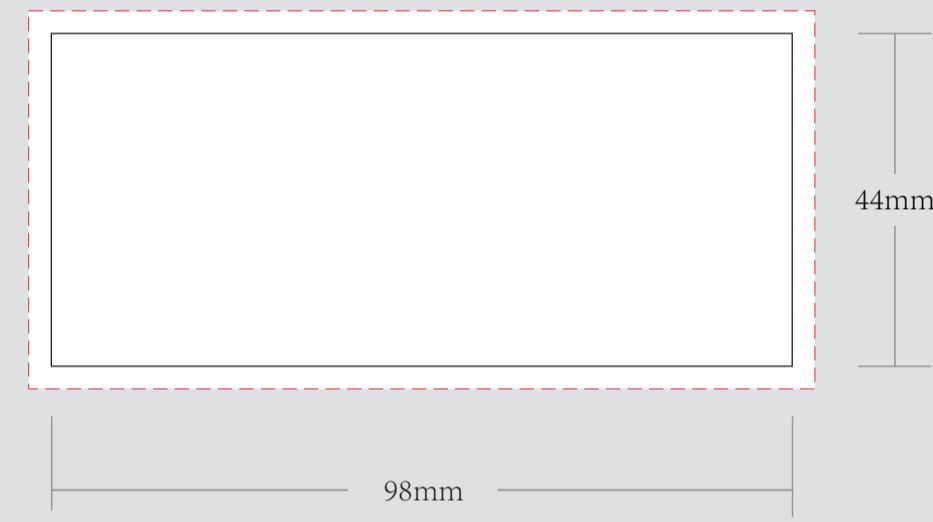
CONES BOX



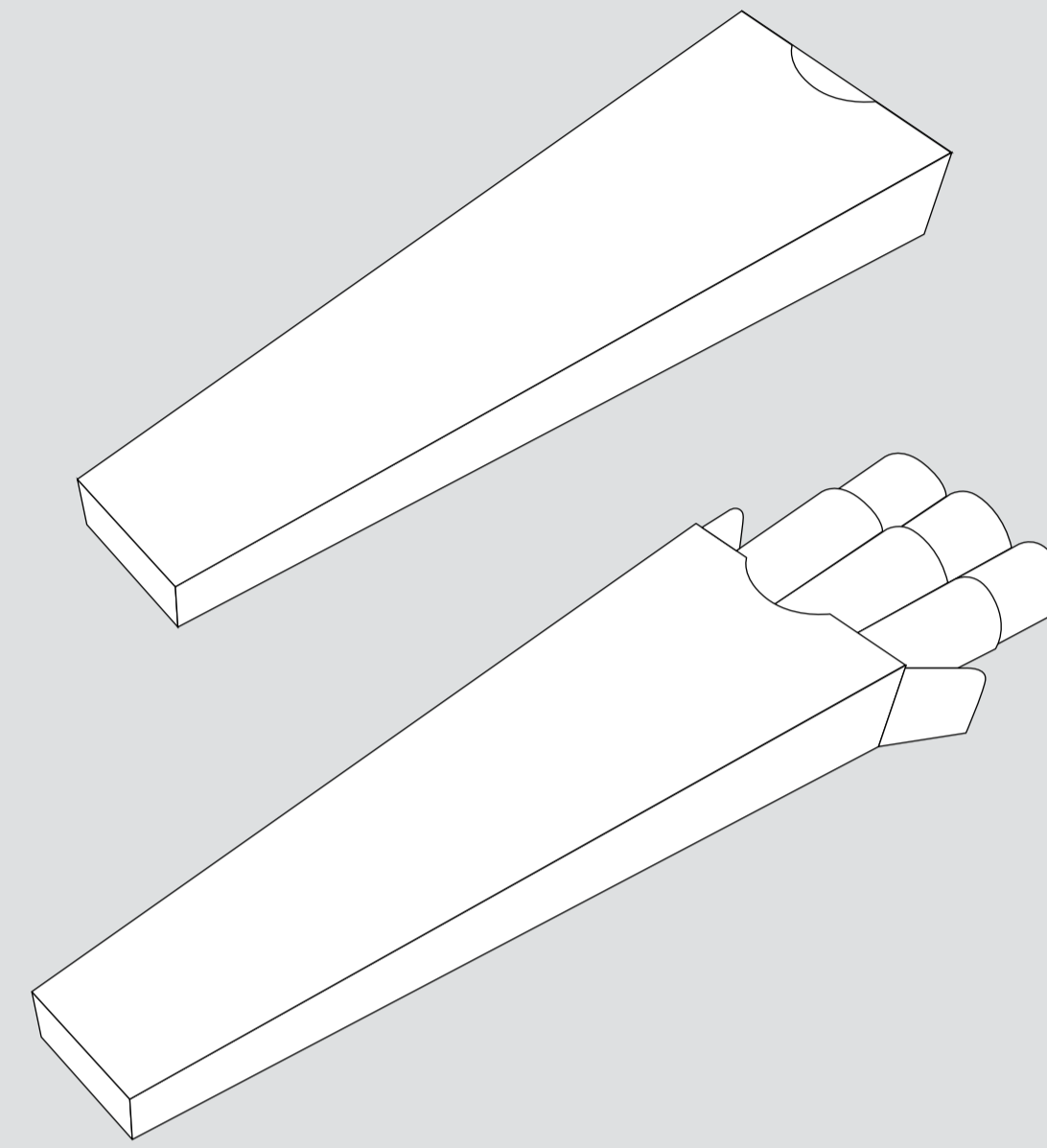
TIPS/CRUTCH



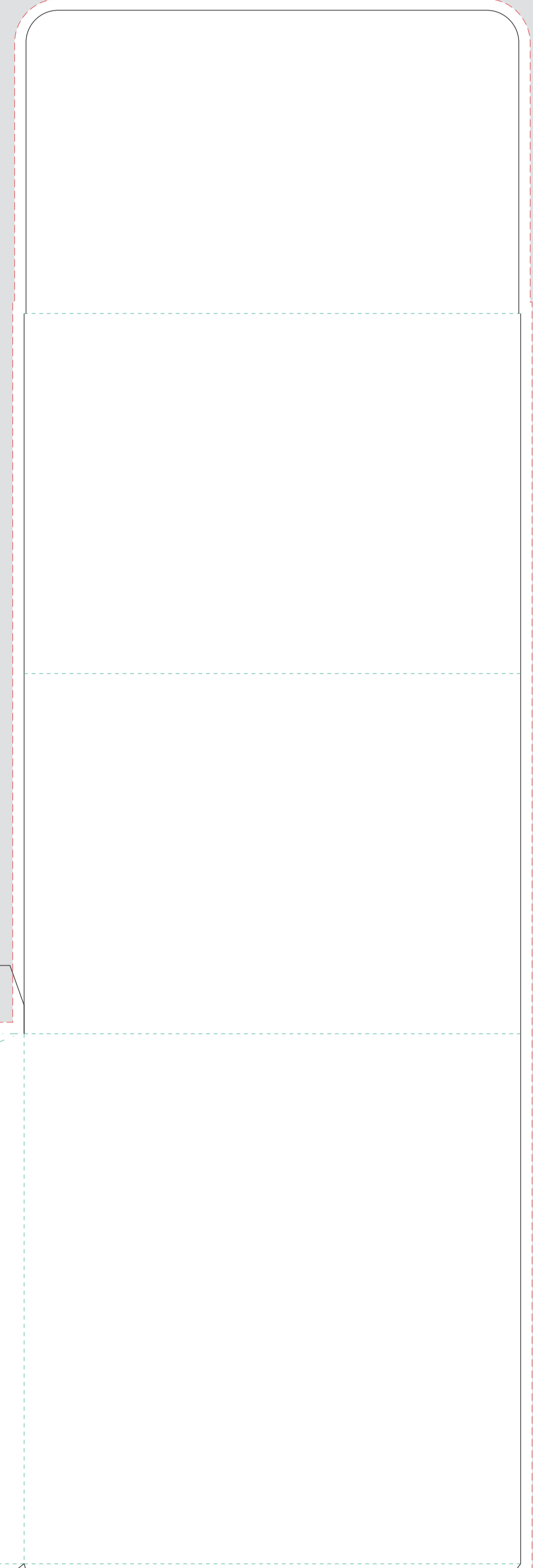
CONE PAPER



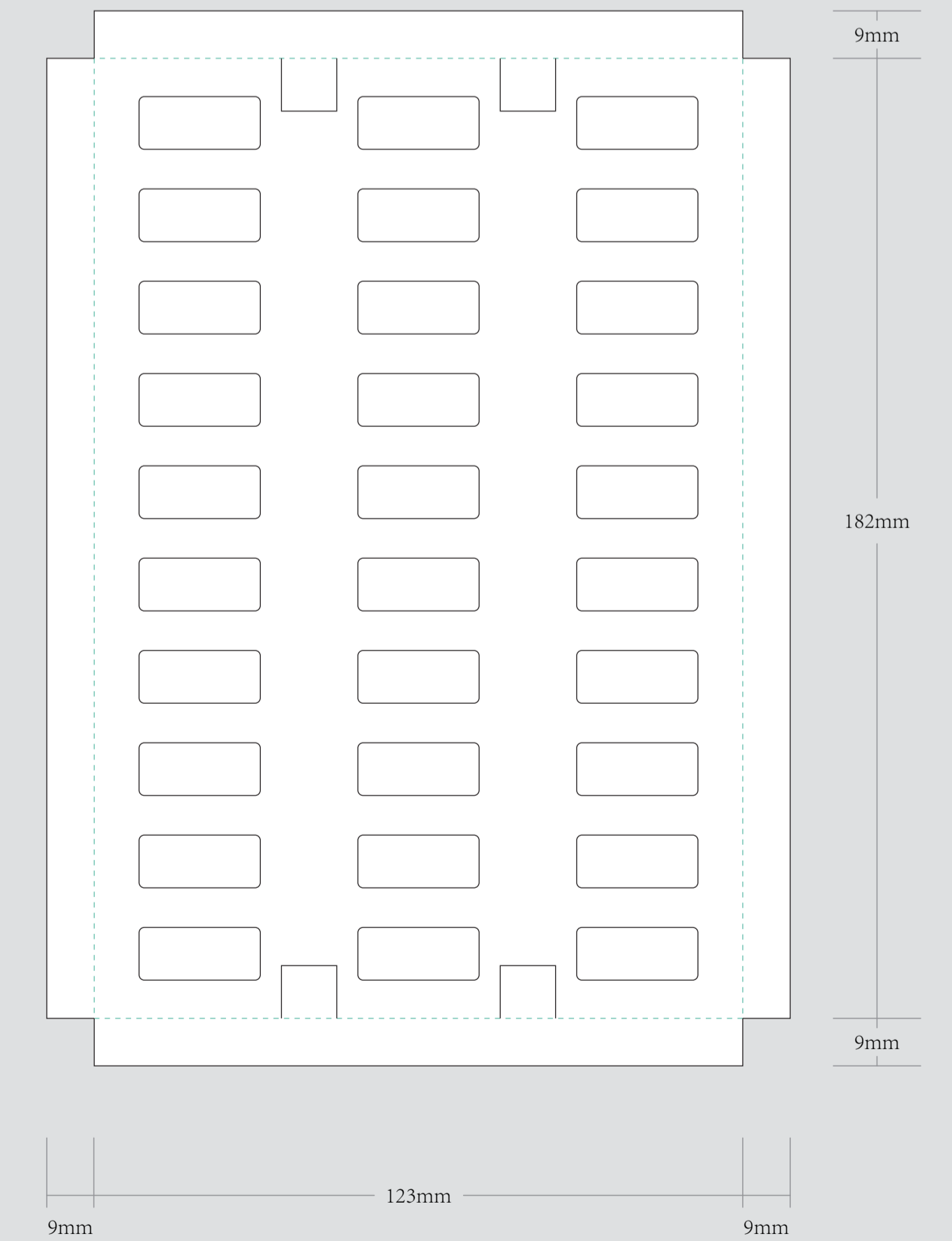
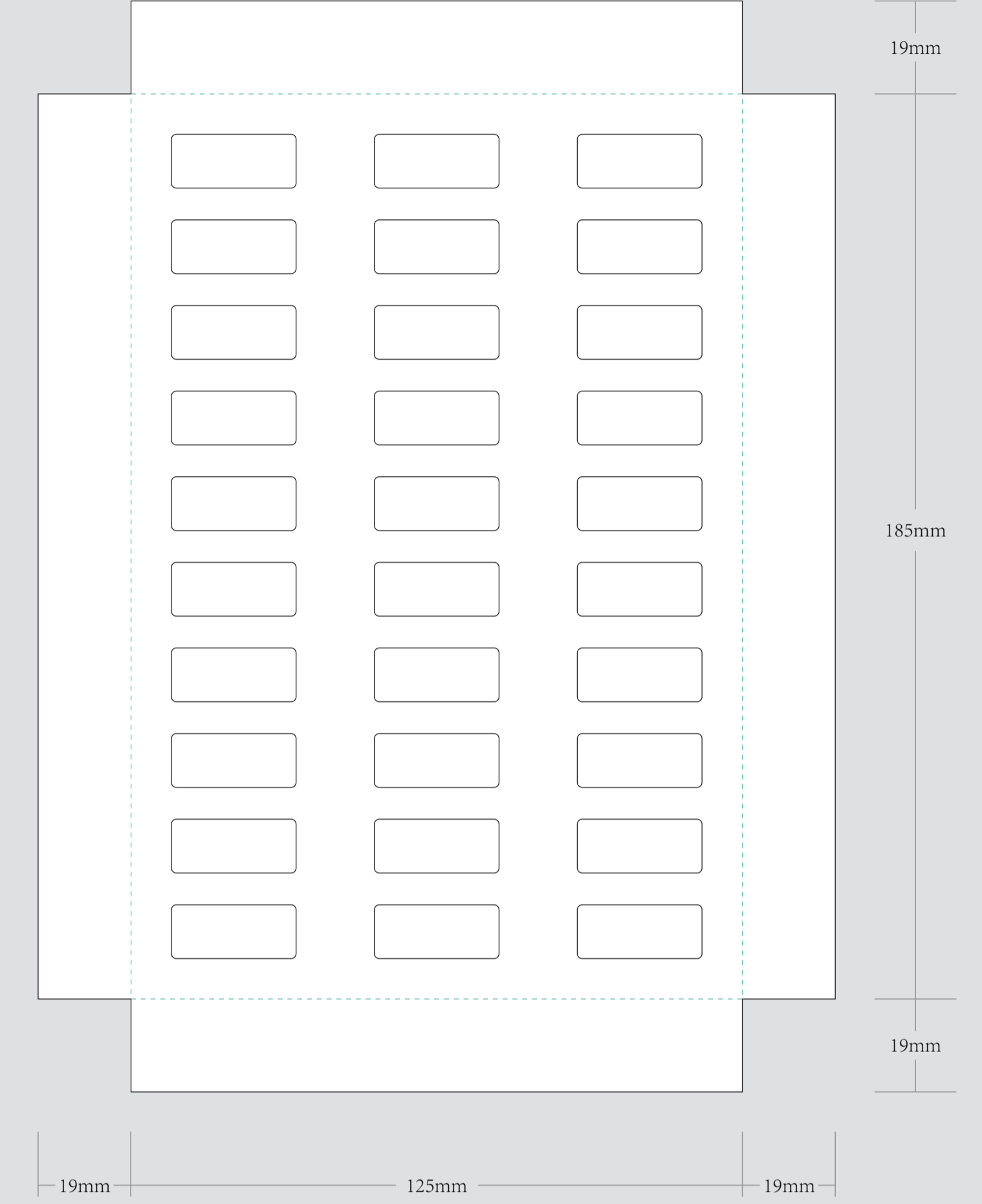
EXAMPLE



DISPLAY BOX



PAPER HODER



Tear Line
这条线做撕裂线

Tear Line
这两条线做撕裂线

