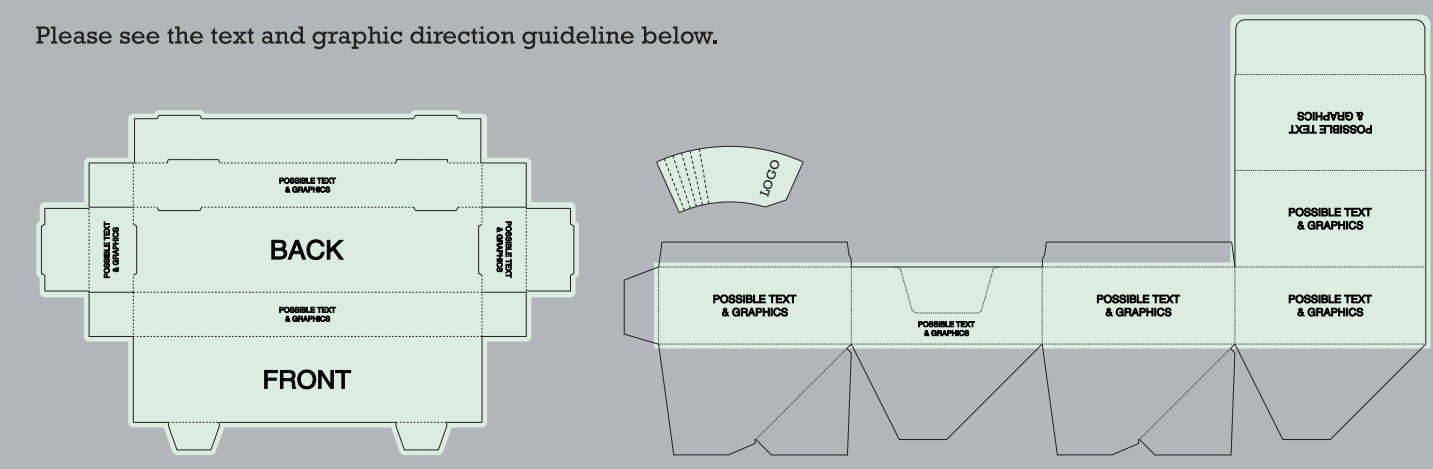


ORDER DETAILS	
MOCKUP NO.	WUFOO
INQUIRY NO.	ENQUIRY_V1
ORDER NO.	
PRODUCT DETAILS	
SIZE	CONE-88-88-38PC-12 BOX
PAPER TYPE	
QUANTITY	
BOX PACKING	32 CONES PER PACK / 12 PACKS PER BOX
VALUE ADDITION	
PRINTING EFFECT	CMYK

\_\_\_\_\_ DIE CUT LINE  
 - - - - - FOLD LINE  
 - - - - - BLEED LINE

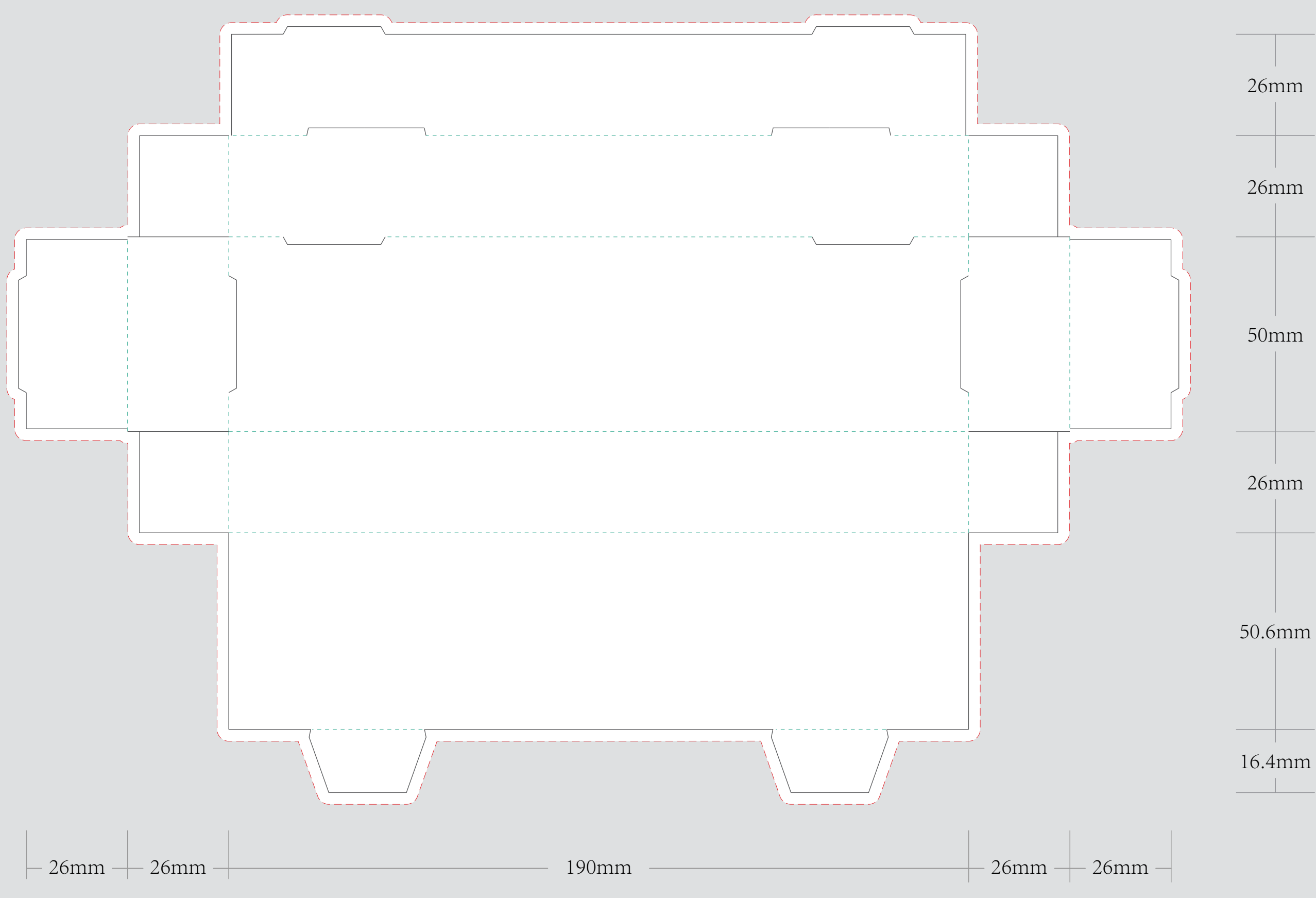
**REMARKS:**  
 - Artwork should be submitted in AI, EPS, PDF, CDR, PSD.  
 - For JPEG, PNG and PSD please submit your artwork with a minimum of 300dpi

Please see the text and graphic direction guideline below.

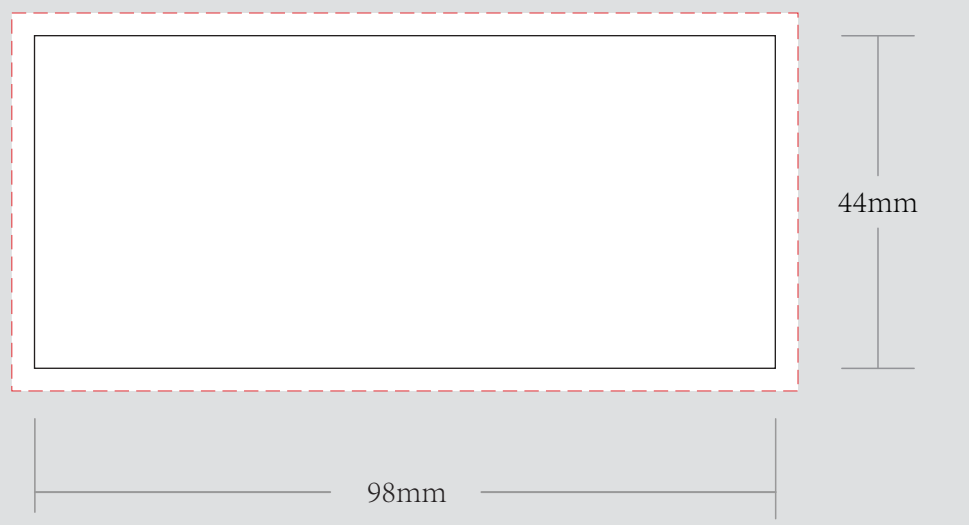


I accept the artwork and understand that any mistakes or omissions is my responsibility.  
 DATE: .....  
 PRINT NAME: .....  
 APPROVAL SIGNATURE: .....

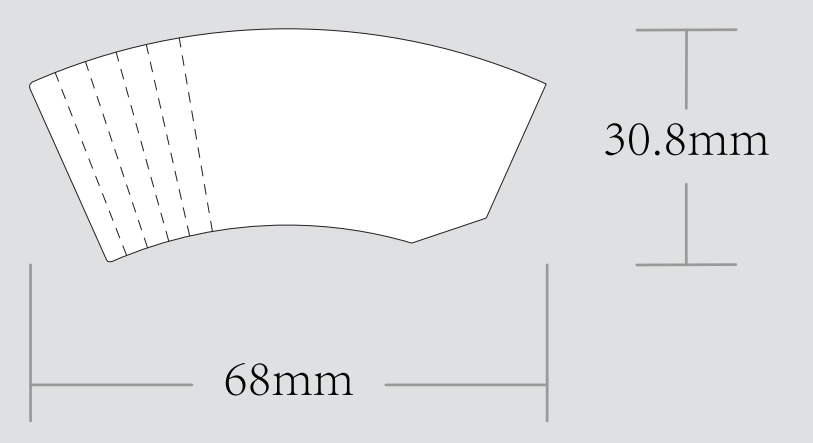
### CONE BOX



### CONE PAPER



### TIPS



### DISPLAY BOX

