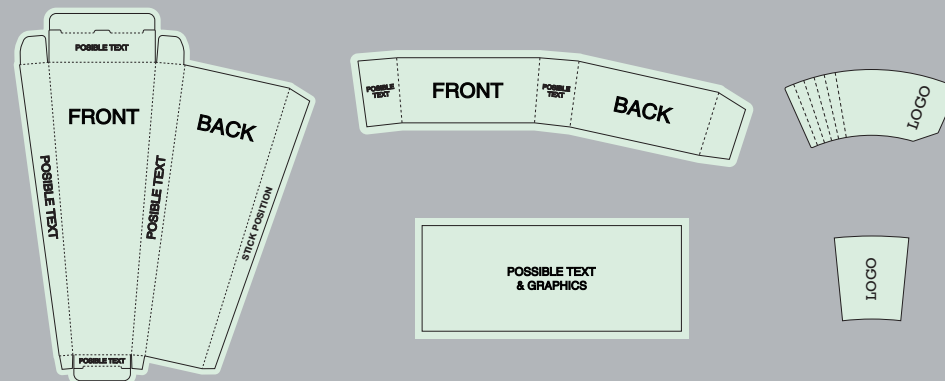


| ORDER DETAILS   |                      |
|-----------------|----------------------|
| MOCKUP NO.      | WUFOO.               |
| INQUIRY NO.     | INQUIRY.V1           |
| ORDER NO.       |                      |
| PRODUCT DETAILS |                      |
| SIZE            | 1 1/4 SIZE - 84/28MM |
| PAPER TYPE      |                      |
| QUANTITY        |                      |
| BOX PACKING     | 8 CONES PER PACK     |
| VALUE ADDITION  |                      |
| PRINTING EFFECT | CMYK                 |

- DIE CUT LINE
- - - FOLD LINE
- - - BLEED LINE

REMARKS:  
 - Artwork should be submitted in AI, EPS, PDF, CDR, PSD.  
 - For JPEG, PNG and PSD please submit your artwork with a minimum of 300dpi

Please see the text and graphic direction guideline below.



VISIBLE AREA

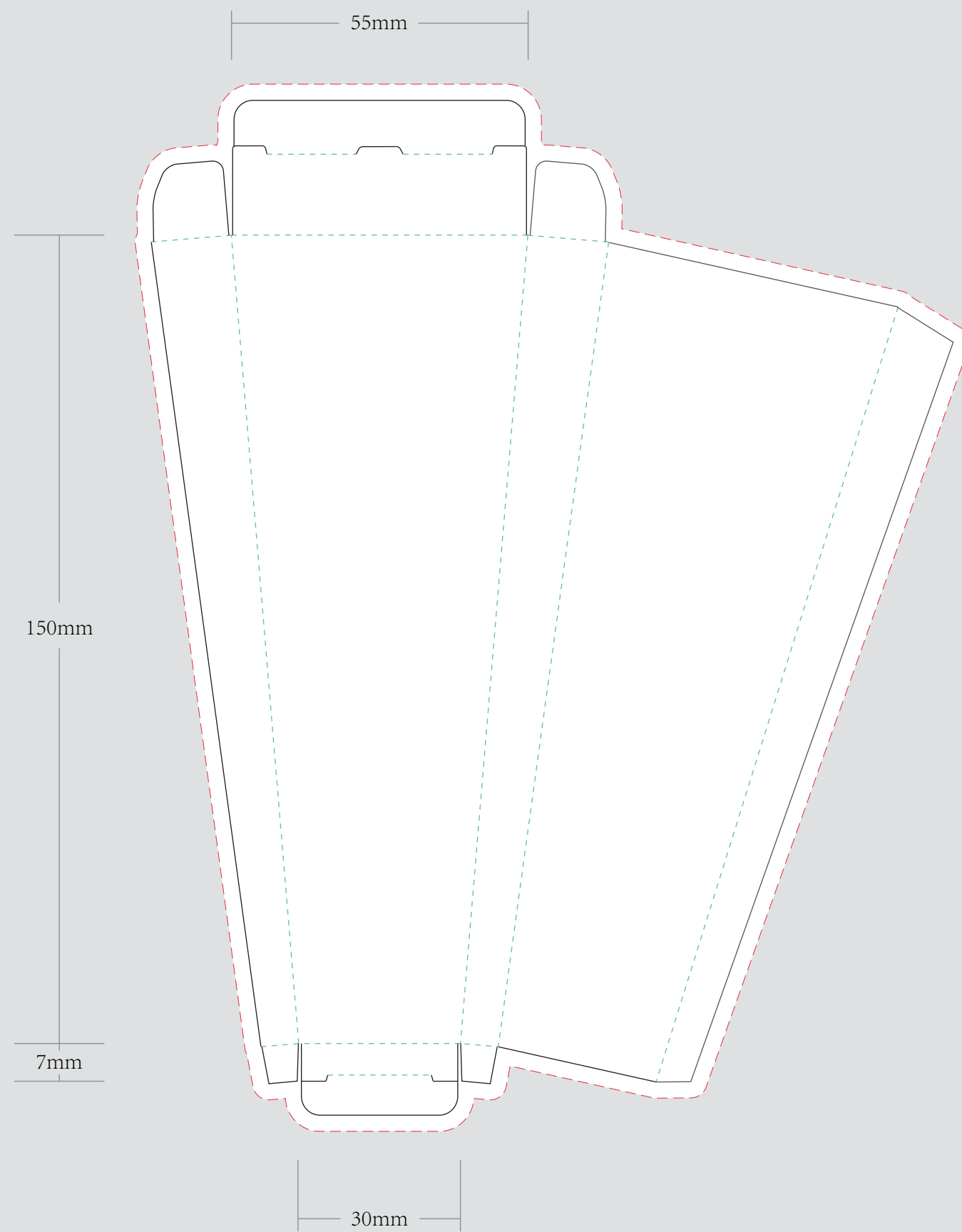
I accept the artwork and understand that any mistakes or omissions is my responsibility.

DATE: .....

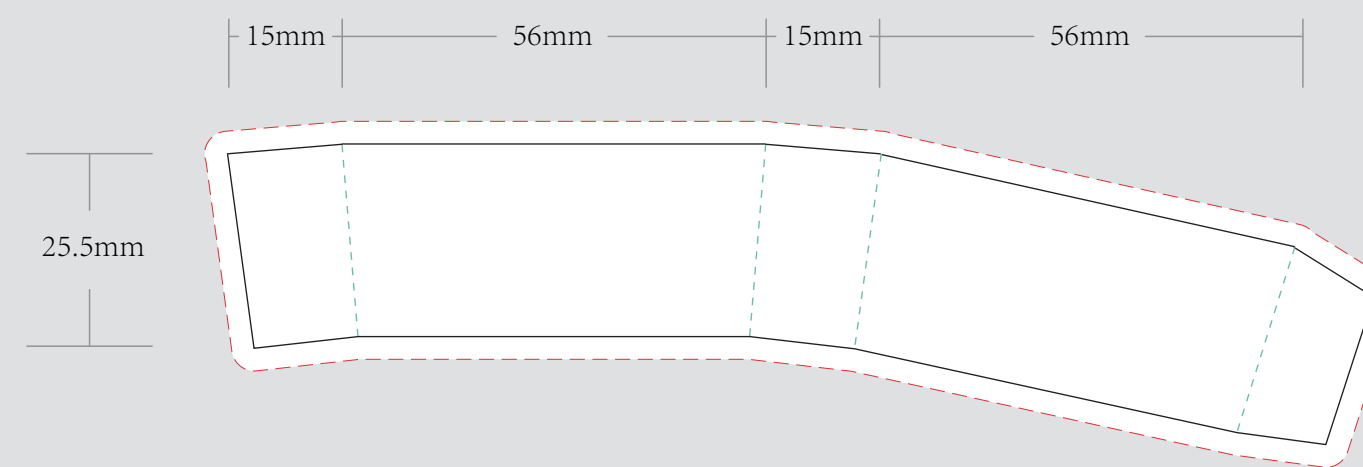
PRINT NAME: .....

APPROVAL SIGNATURE: .....

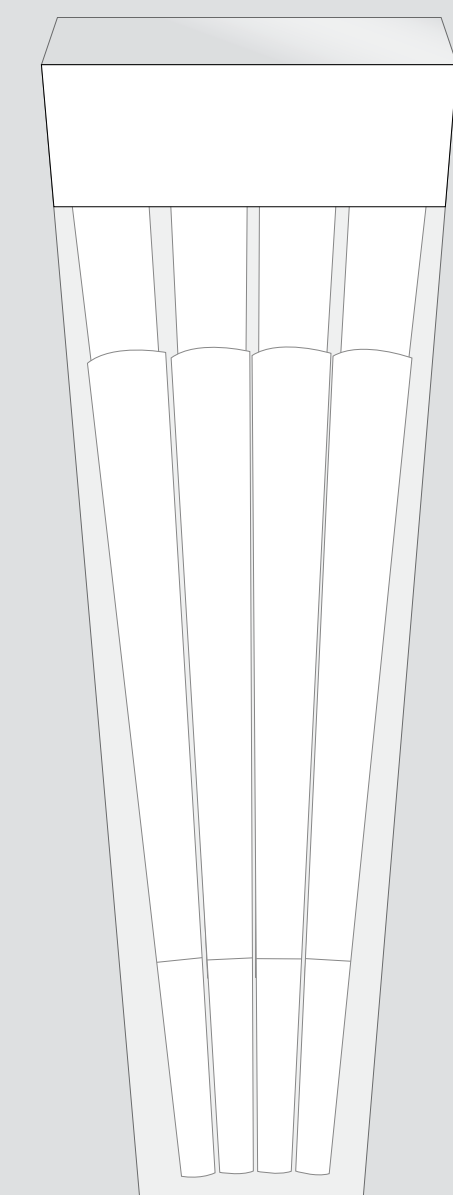
## ACETATE BOX



## ACETATE BOX SLEEVE



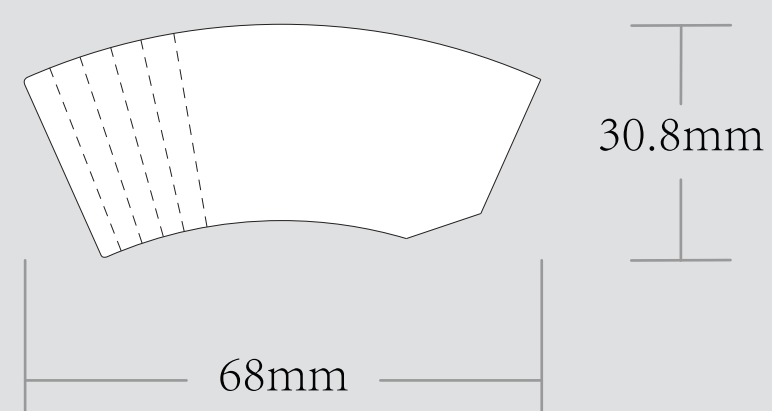
## EXAMPLE



## CONE PAPERS



## TIPS/CRUTCH



## OUTSIDE STICKER WRAPPED ON TIPS

