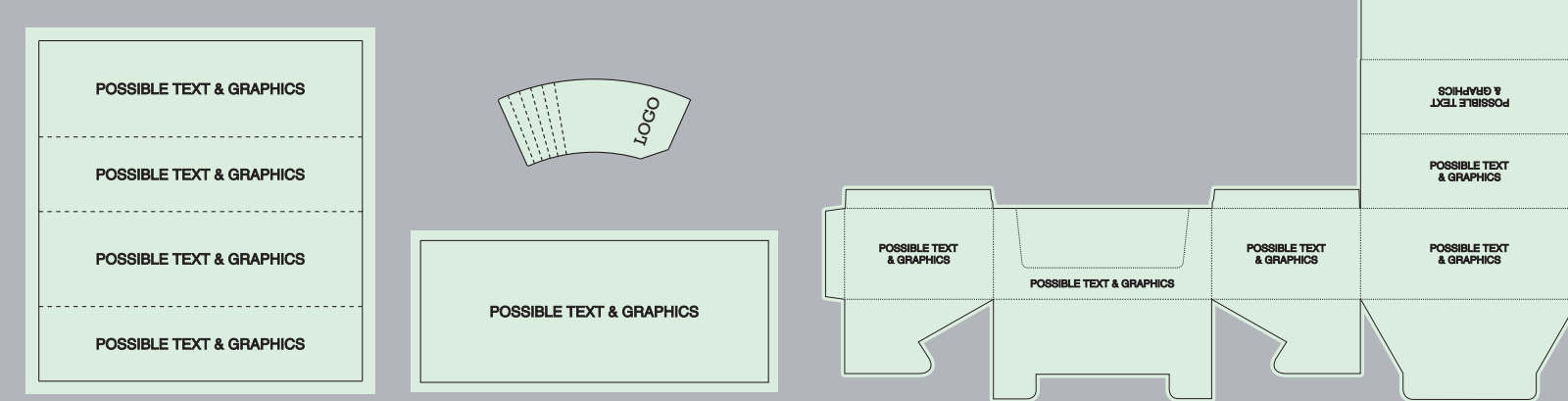


ORDER DETAILS	
MOCKUP NO.	WUFOO
INQUIRY NO.	INQUIRY.V1
ORDER NO.	
PRODUCT DETAILS	
SIZE	CONE-6 CONE PER PCS-ACETATE BOX-84/88MM
PAPER TYPE	
QUANTITY	
BOX PACKING	18 ACETATE BOXES PER DISPLAY
VALUE ADDITION	
PRINTING EFFECT	CMYK

_____ DIE CUT LINE
 - - - - - FOLD LINE
 - - - - - BLEED LINE

REMARKS:
 - Artwork should be submitted in AI, EPS, PDF, CDR, PSD.
 - For JPEG, PNG and PSD please submit your artwork with a minimum of 300dpi

Please see the text and graphic direction guideline below.



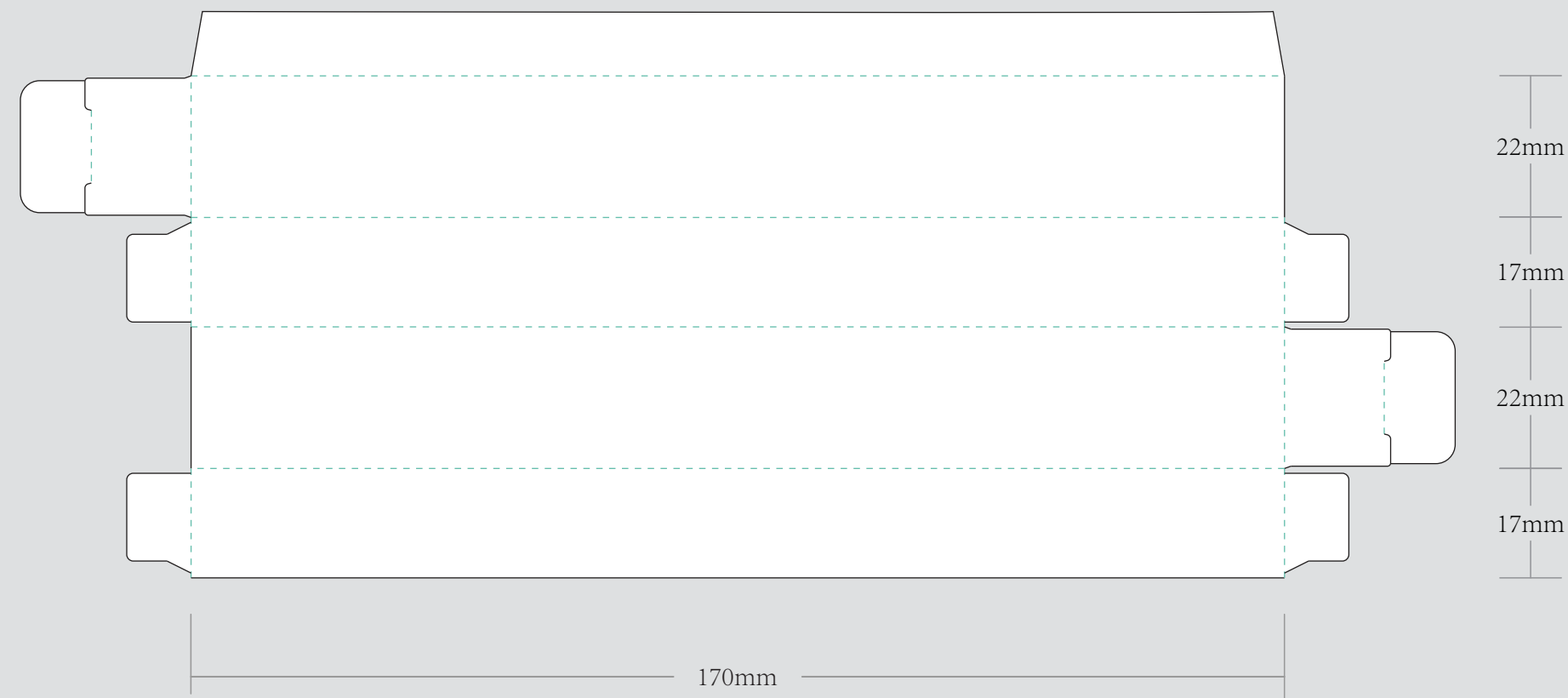
I accept the artwork and understand that any mistakes or omissions is my responsibility.

DATE:

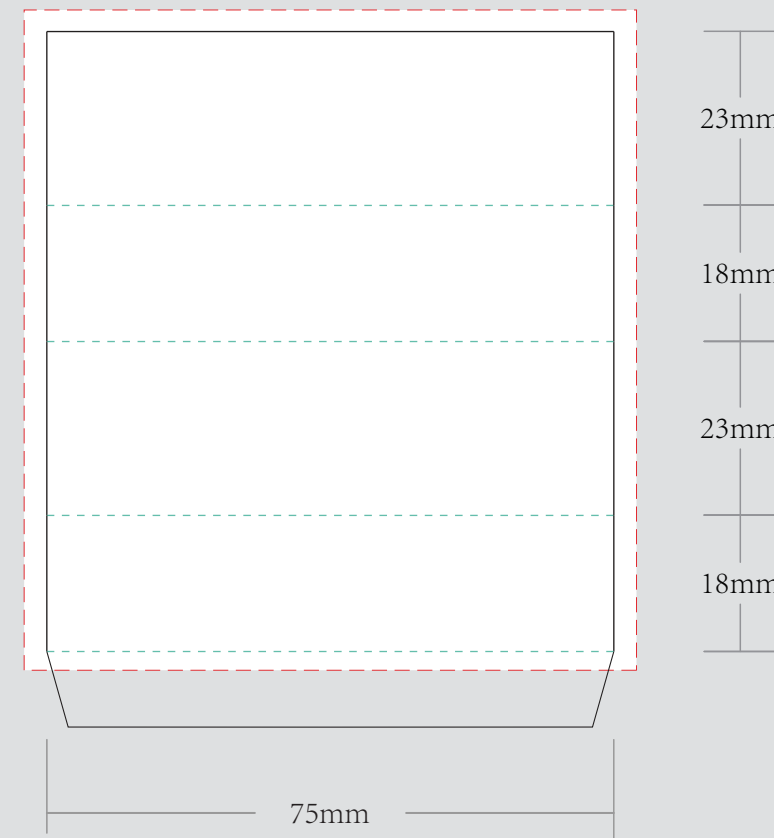
PRINT NAME:

APPROVAL SIGNATURE:

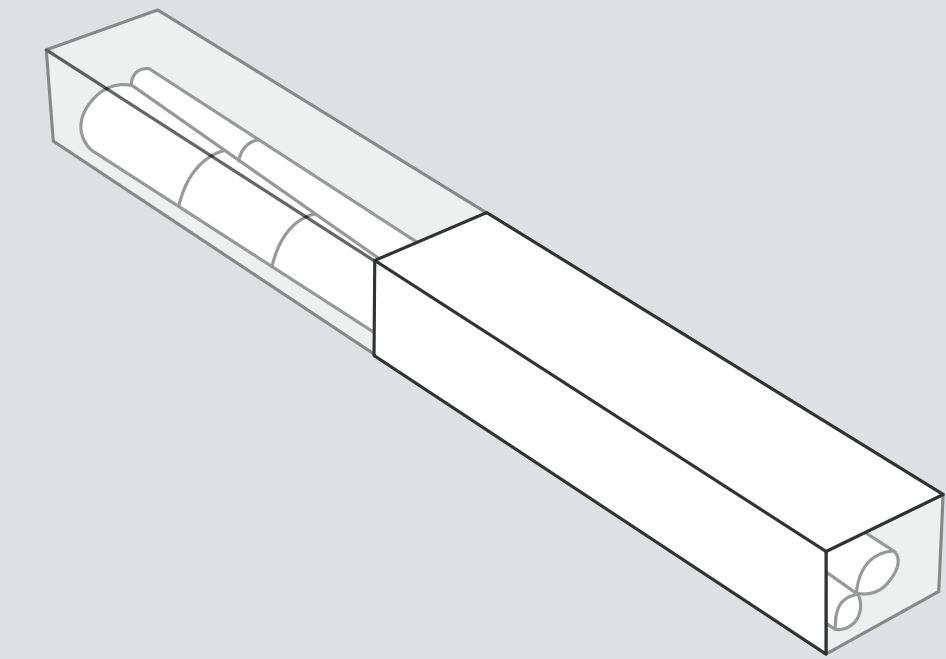
PLASTIC BOX



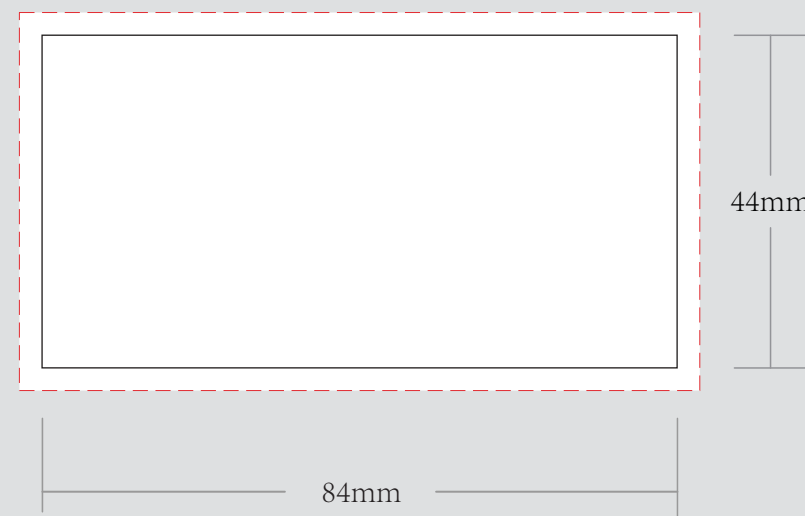
SLEEVE



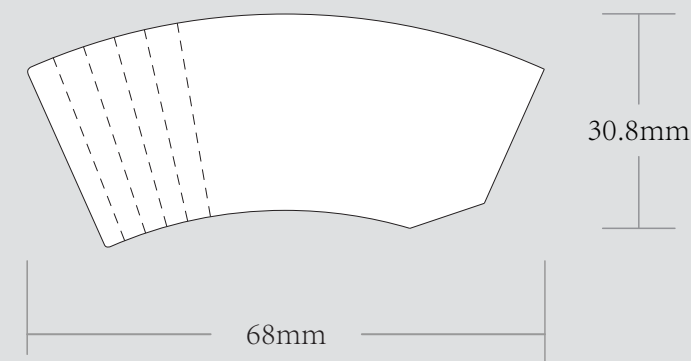
EXAMPLE



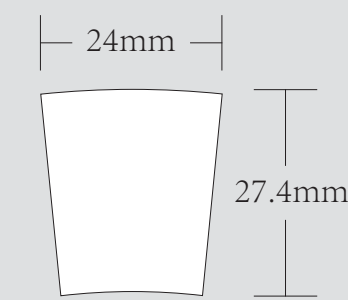
CONE PAPER



TIPS/CRUTCH



OUTSIDE STICKER WRAPPED ON TIPS



DISPLAY BOX

