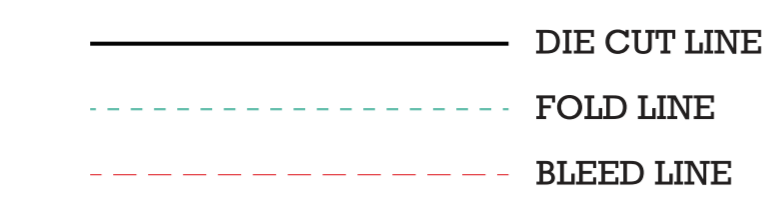
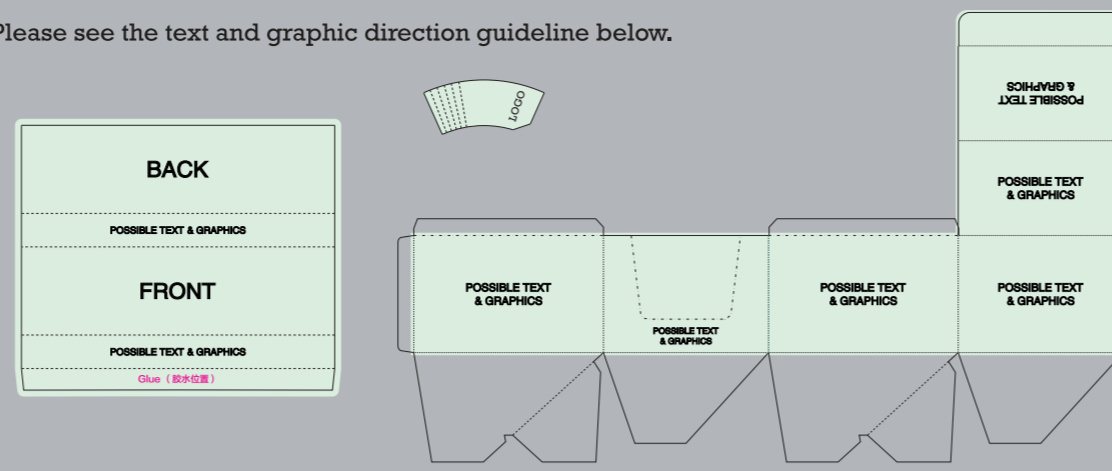


ORDER DETAILS	
MOCKUP NO.	WUFOO.
INQUIRY NO.	INQUIRY_V1
ORDER NO.	
PRODUCT DETAILS	
SIZE	1 1/4 SIZE
PAPER TYPE	
QUANTITY	
BOX PACKING	6 CONES PER TRAY/24 TRAYS PER BOX
VALUE ADDITION	
PRINTING EFFECT	CMYK



REMARKS:
 - Artwork should be submitted in AI, EPS, PDF, CDR, PSD.
 - For JPEG, PNG and PSD please submit your artwork with a minimum of 300dpi

Please see the text and graphic direction guideline below.



VISIBLE AREA

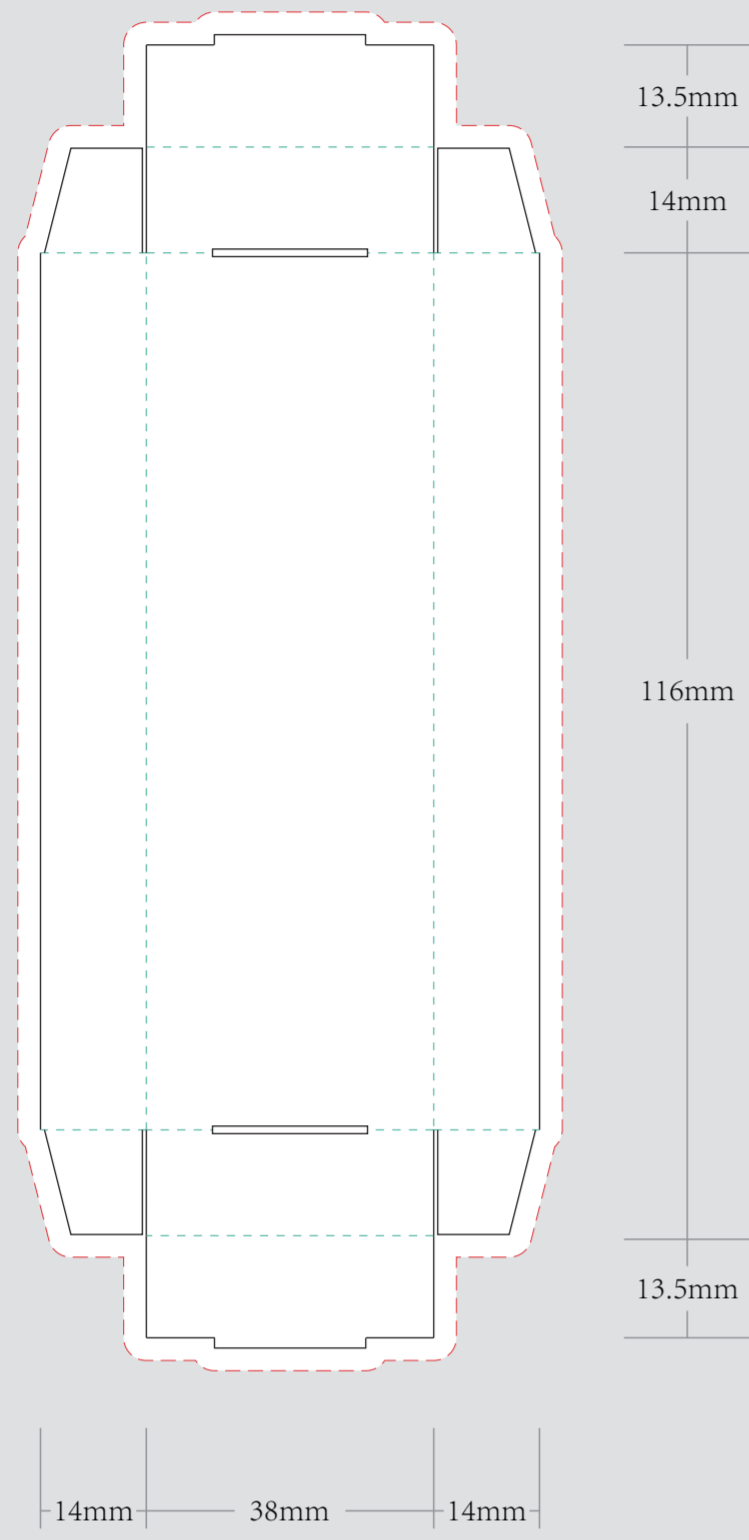
I accept the artwork and understand that any mistakes or omissions is my responsibility.

DATE:

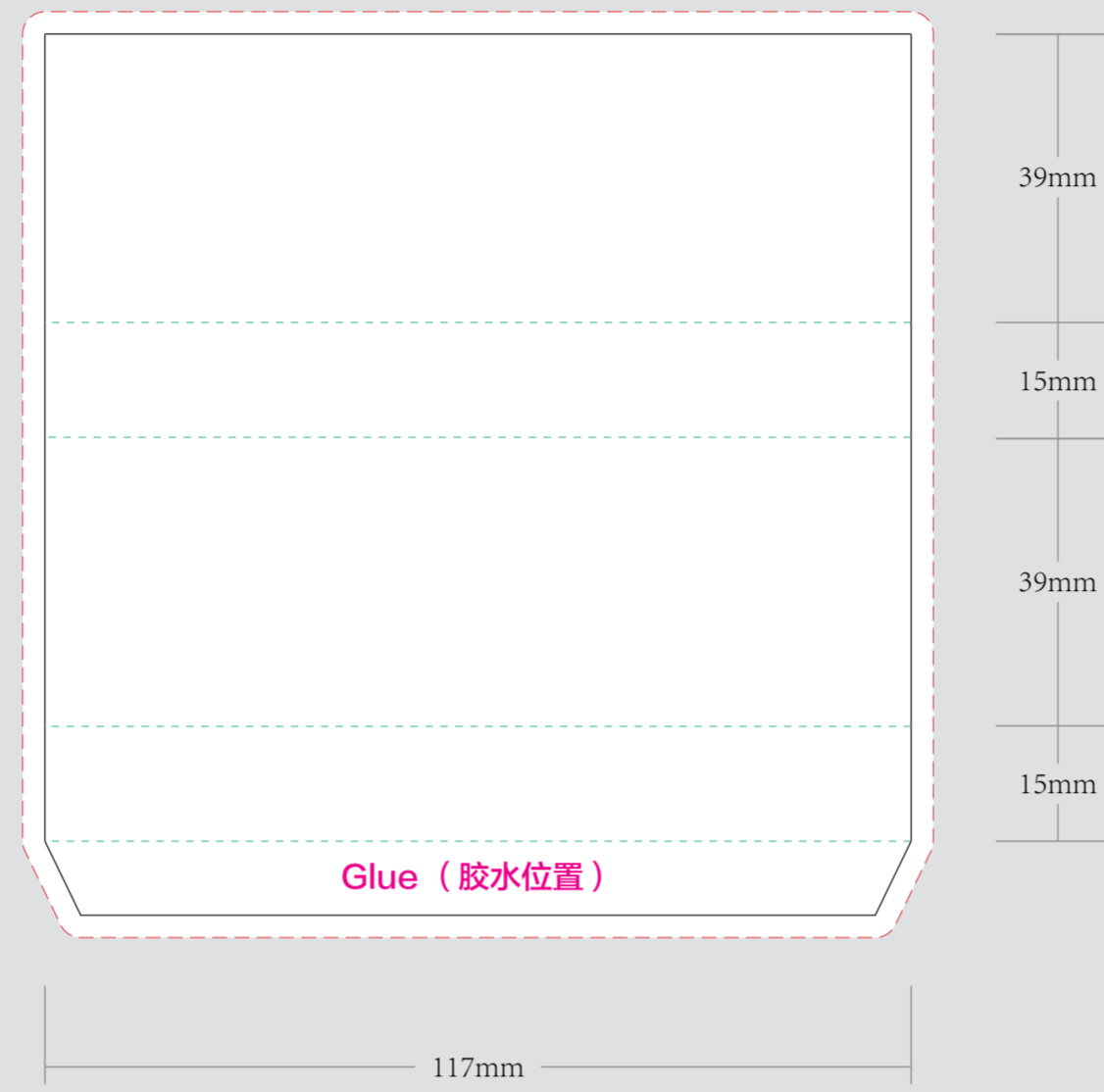
PRINT NAME:

APPROVAL SIGNATURE:

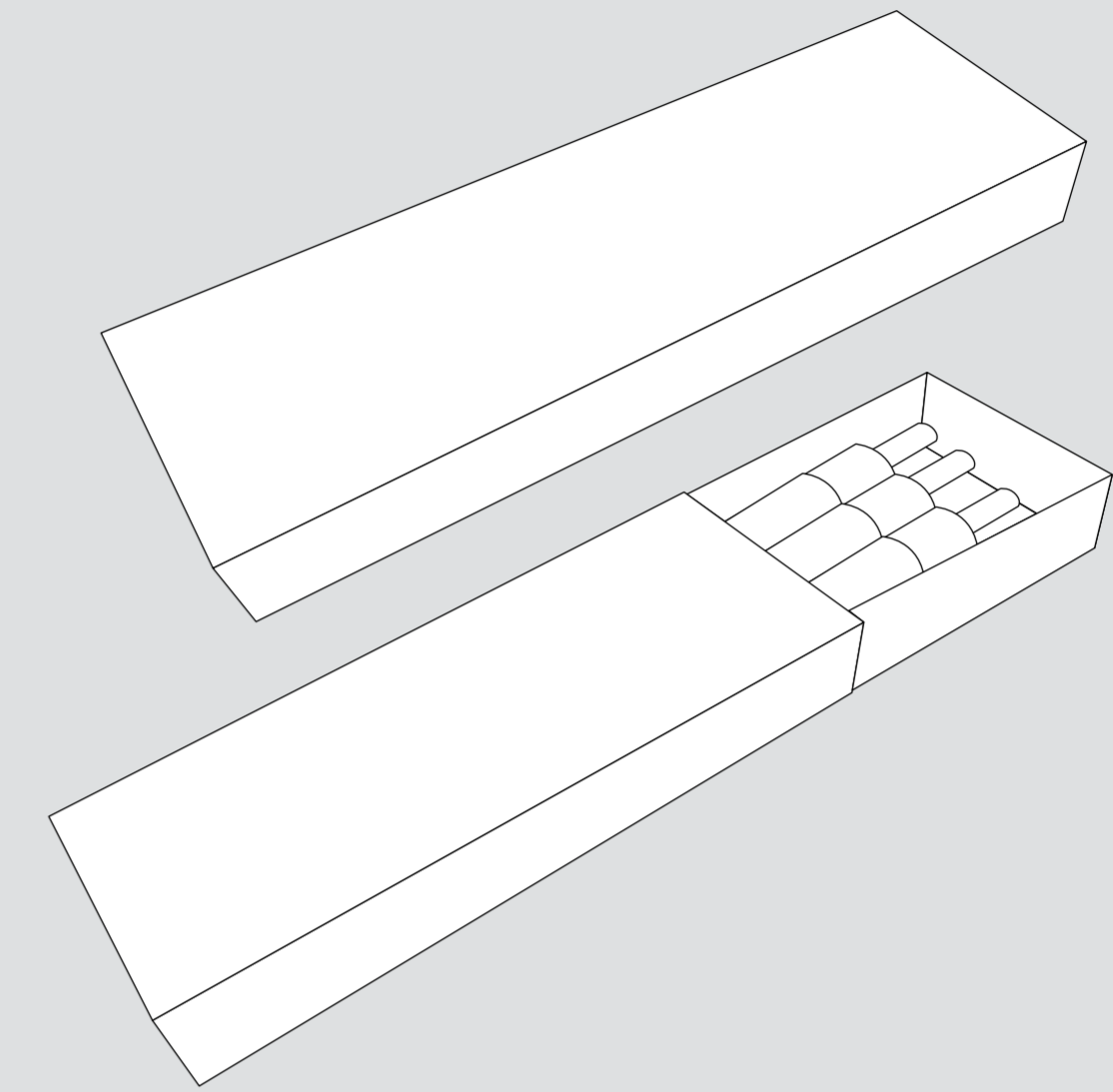
TRAY BOX



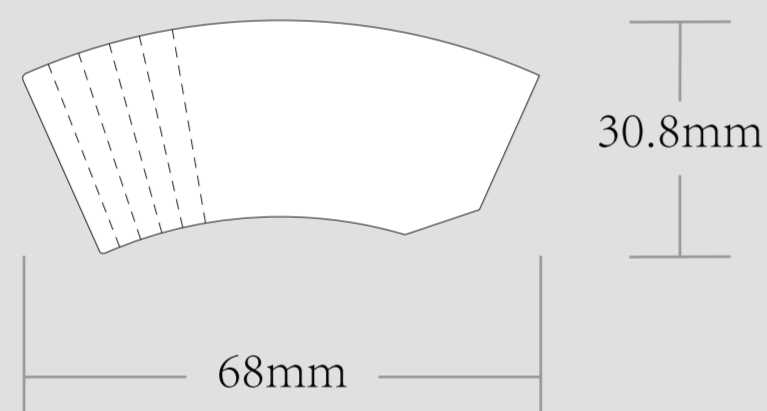
TRAY COVER



EXAMPLE



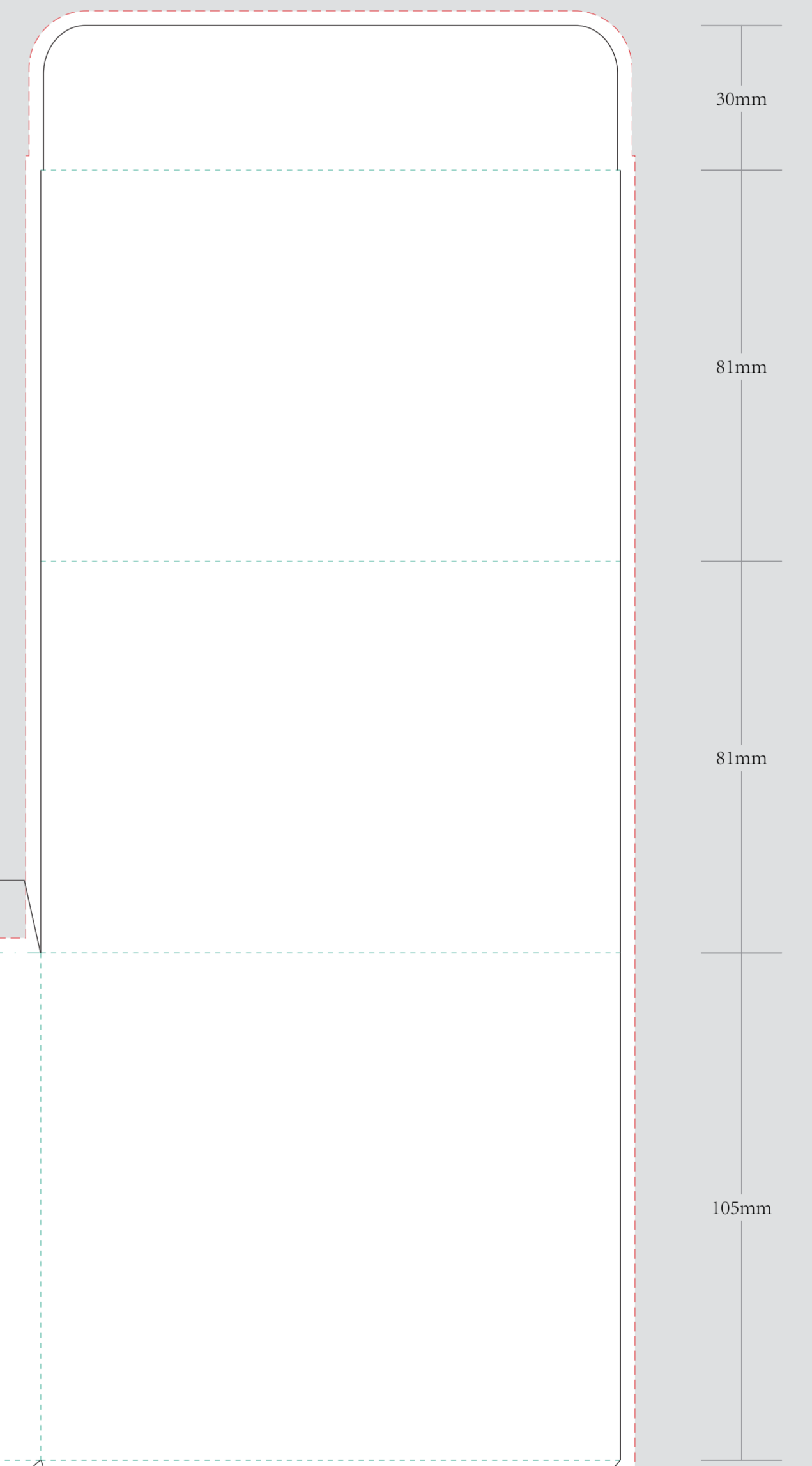
TIPS/CRUTCH



CONE PAPER



DISPLAY BOX



Tear Line
这条线做撕裂线

Tear Line
这条线做撕裂线

