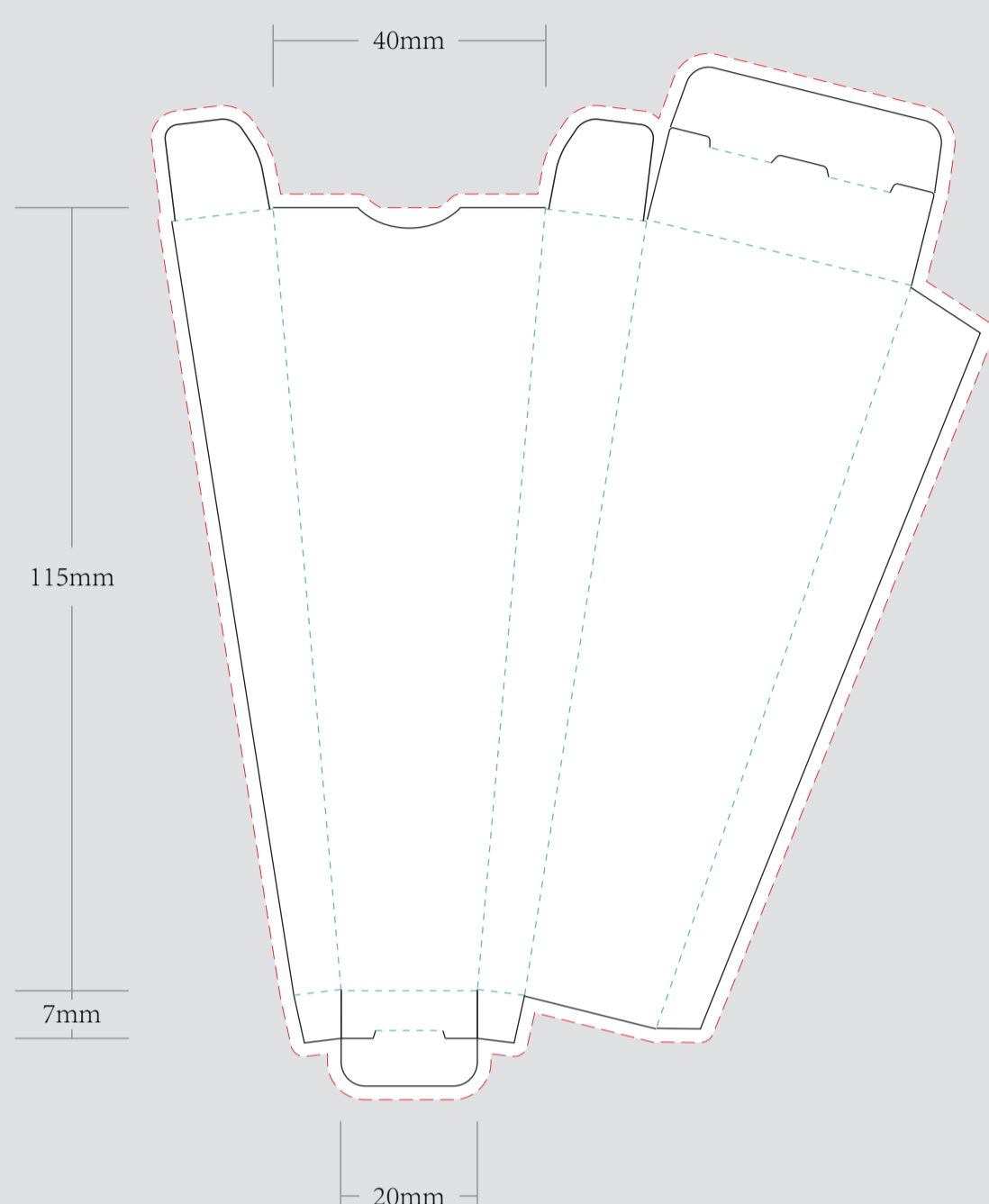


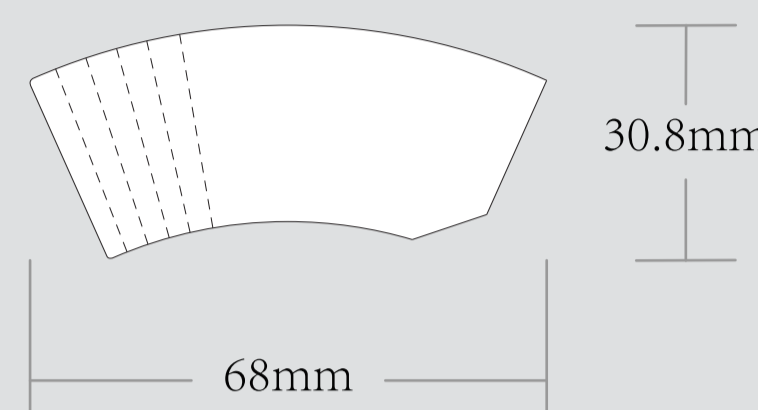
ORDER DETAILS			Please see the text and graphic direction guideline below. 	VISIBLE AREA <input type="checkbox"/> I accept the artwork and understand that any mistakes or omissions is my responsibility. DATE: PRINT NAME: APPROVAL SIGNATURE:
MOCKUP NO.	WUFOO.			
INQUIRY NO.	INQUIRY_V1			
ORDER NO.				
PRODUCT DETAILS				
SIZE	1 1/4 SIZE			
PAPER TYPE				
QUANTITY				
BOX PACKING	3 CONES PER PACK, 30 PACKS PER BOX			
VALUE ADDITION				
PRINTING EFFECT	CMYK			

REMARKS:
 - Artwork should be submitted in AI, EPS, PDF, CDR, PSD.
 - For JPEG, PNG and PSD please submit your artwork with a minimum of 300dpi

CONES BOX



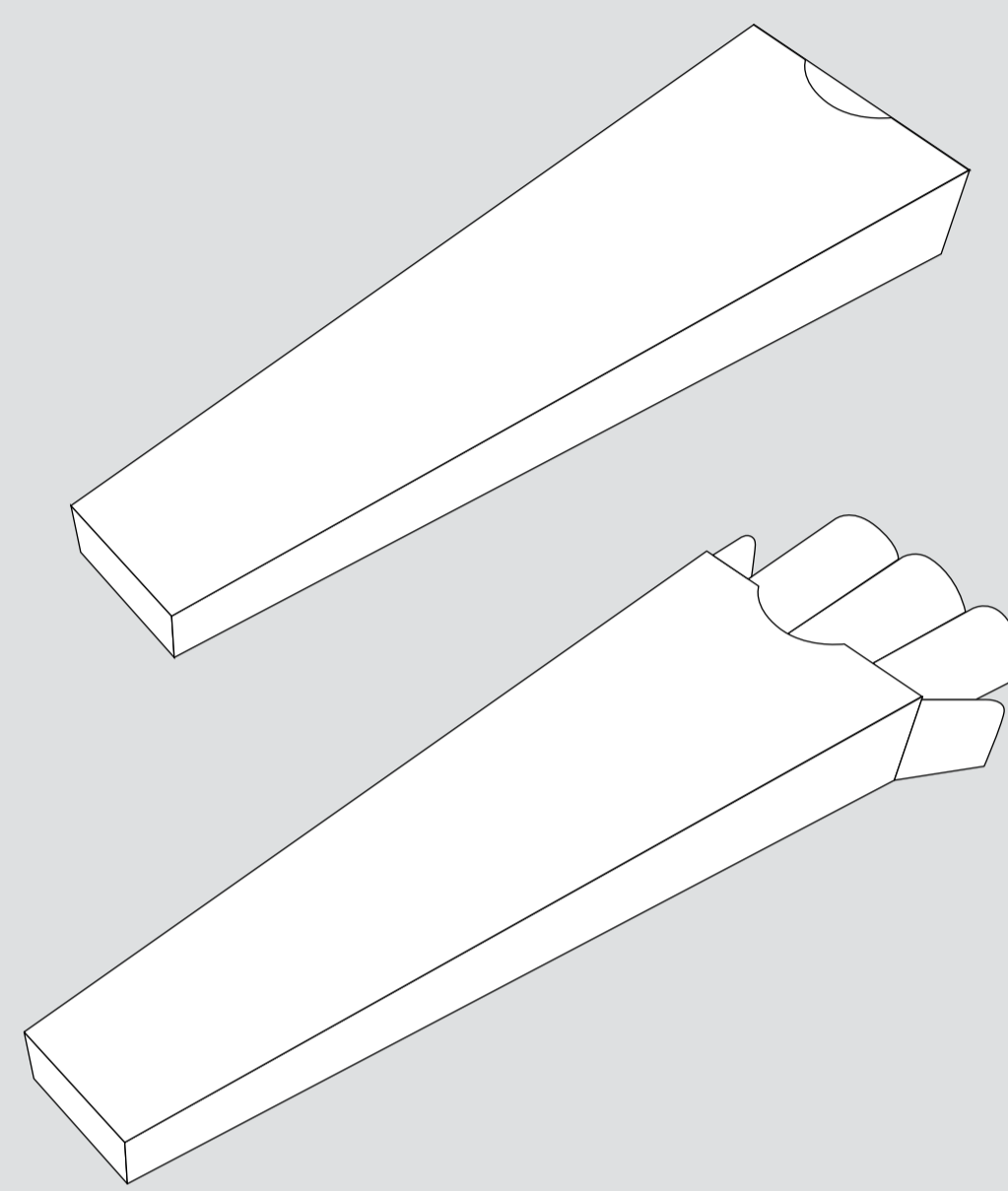
TIPS/CRUTCH



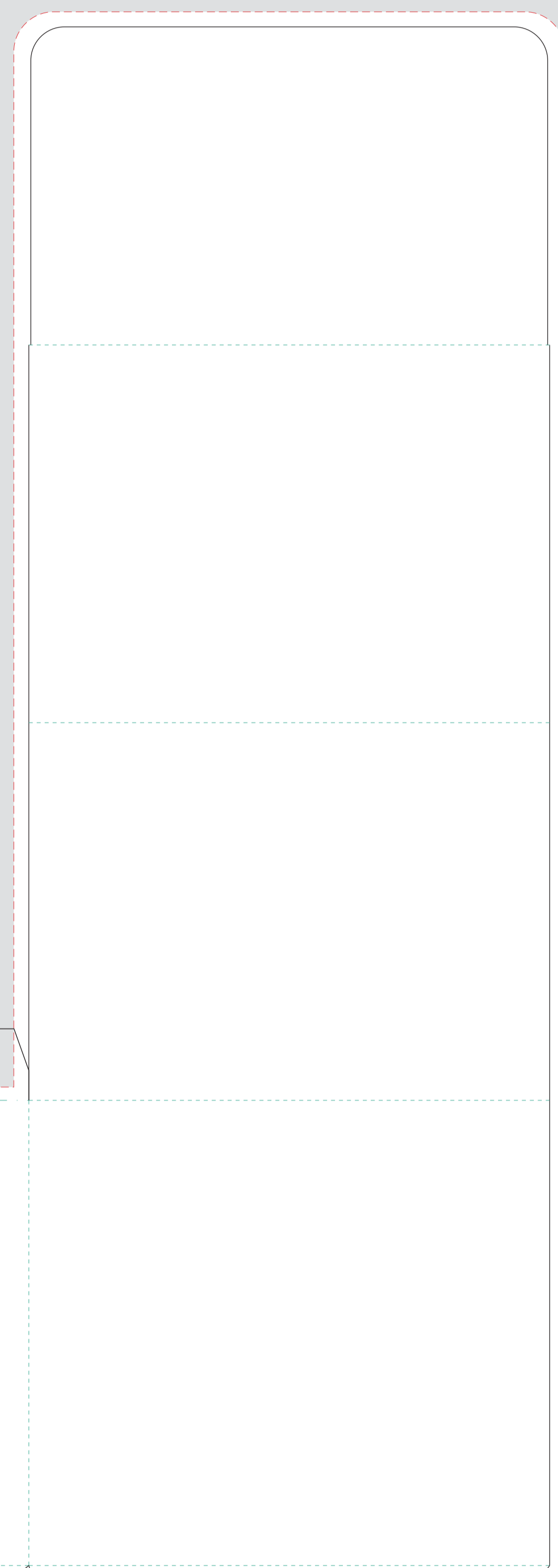
CONE PAPER



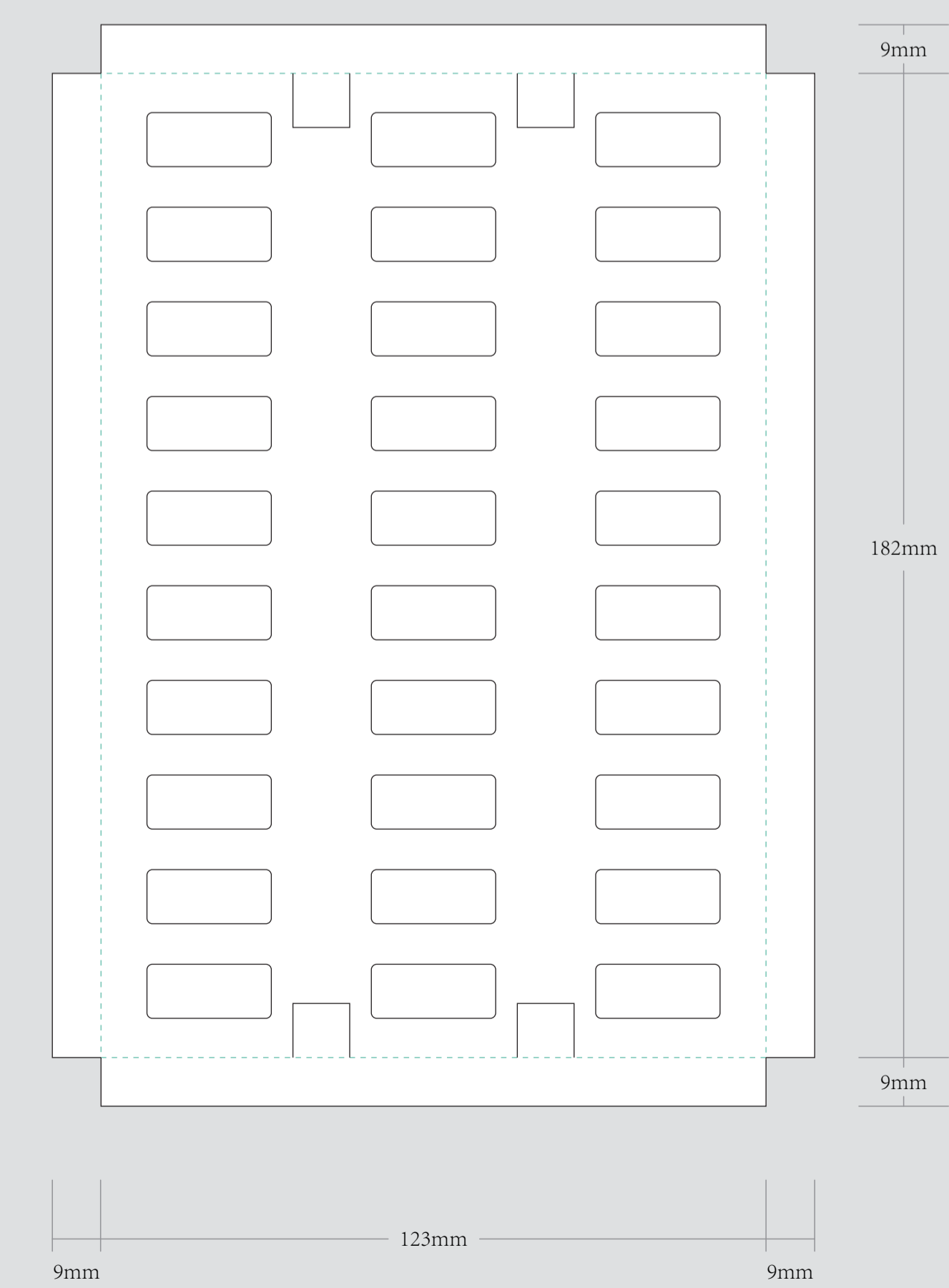
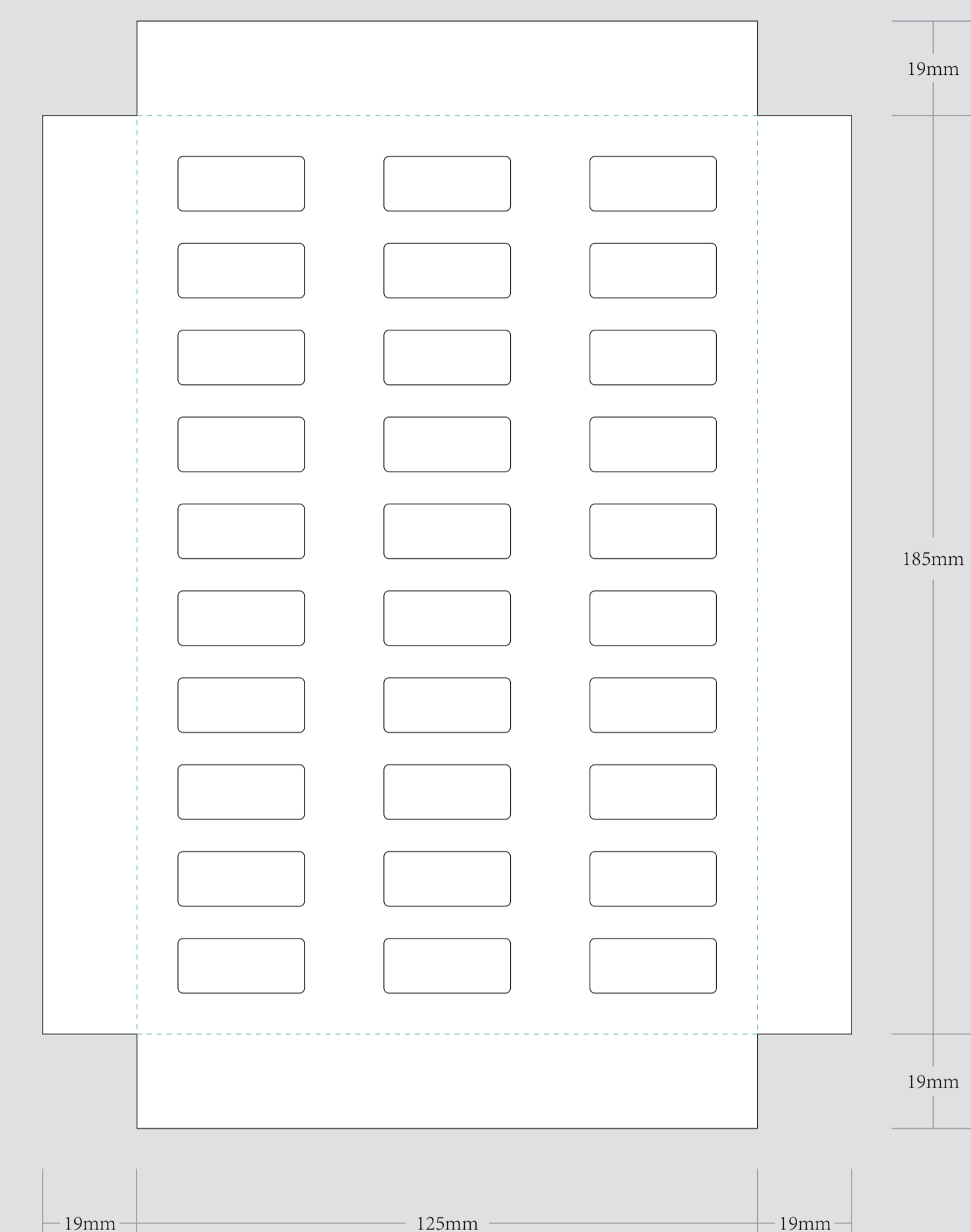
EXAMPLE



DISPLAY BOX



PAPER HODER



Tear Line
 这条线做撕裂线

Tear Line
 这条线做撕裂线

