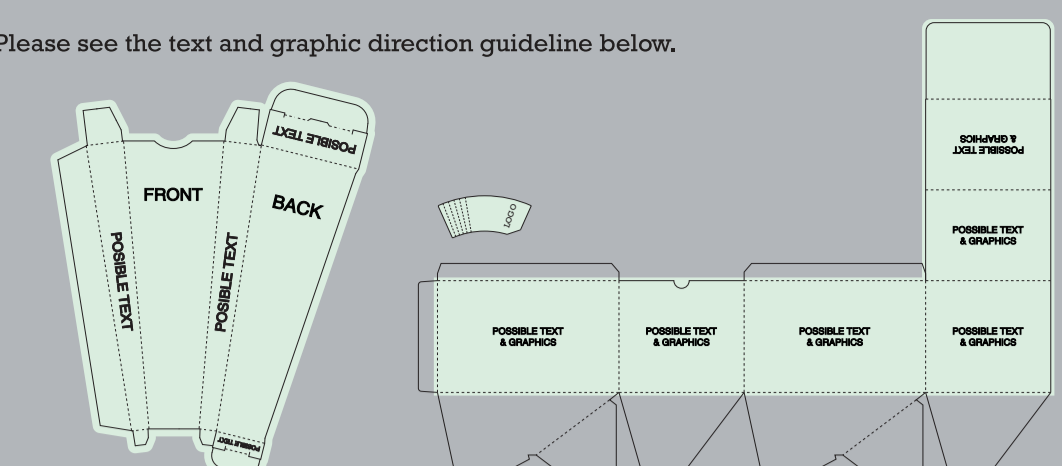
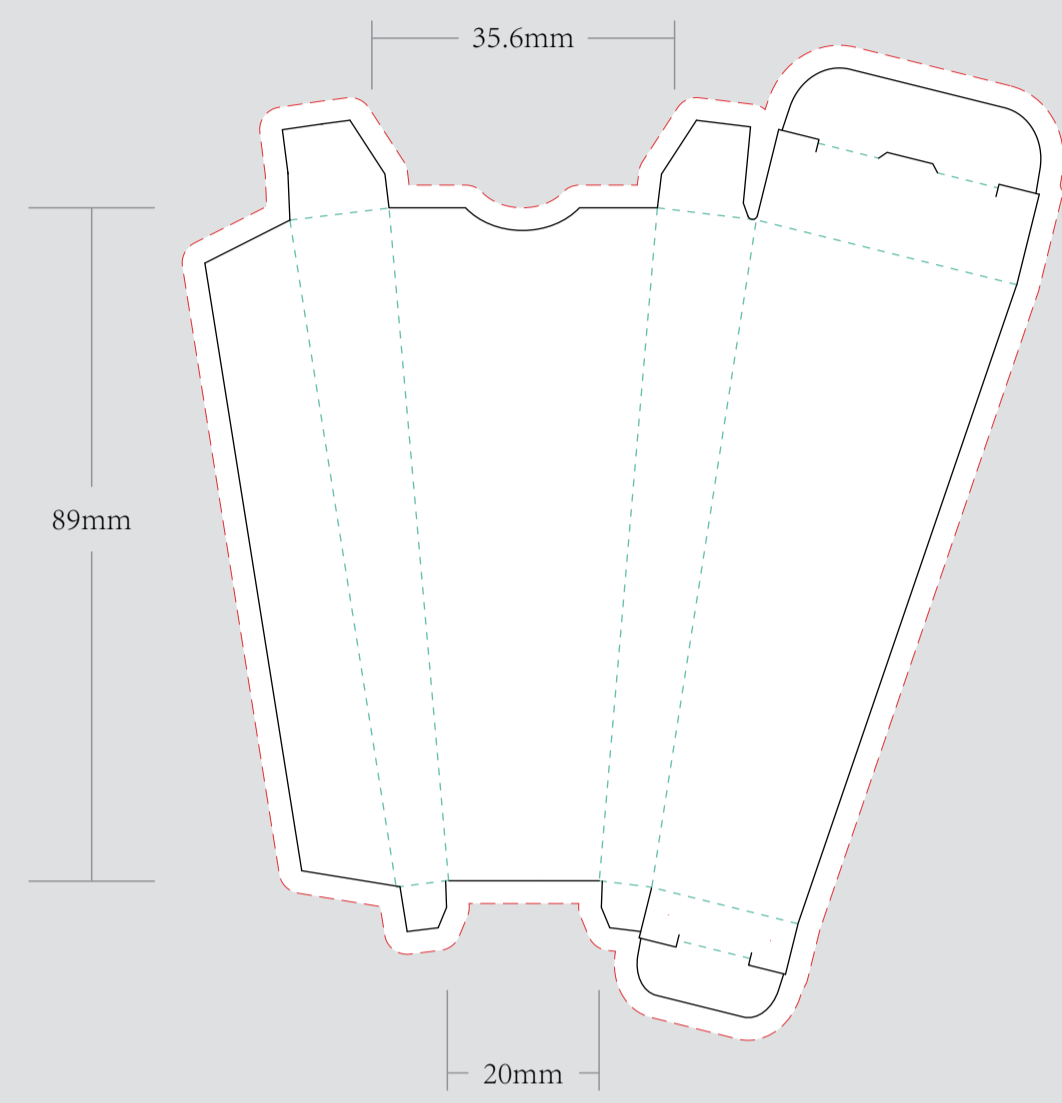
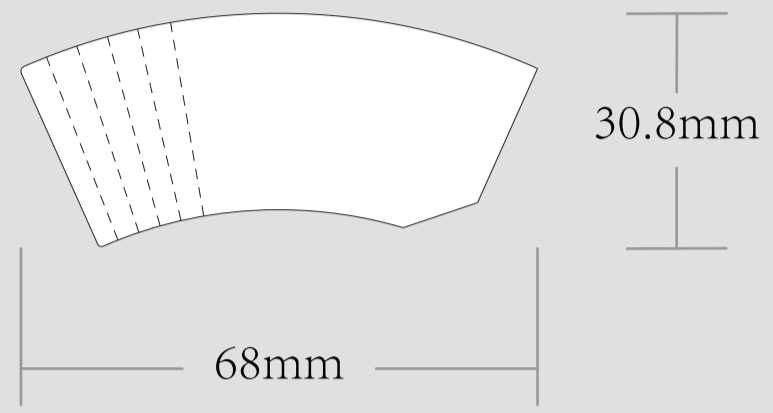


| | | | | |
|------------------------|------------------------------------|--|---|---|
| ORDER DETAILS | | <p>— DIE CUT LINE</p> <p>- - - FOLD LINE</p> <p>- - - BLEED LINE</p> | <p>Please see the text and graphic direction guideline below.</p>  | <p>VISIBLE AREA</p> <p><input type="checkbox"/> I accept the artwork and understand that any mistakes or omissions is my responsibility.</p> <p>DATE:</p> <p>PRINT NAME:</p> <p>APPROVAL SIGNATURE:</p> |
| MOCKUP NO. | WUFOO. | | | |
| INQUIRY NO. | INQUIRY_V1 | | | |
| ORDER NO. | | | | |
| PRODUCT DETAILS | | | | |
| SIZE | 1 1/4 SIZE | | | |
| PAPER TYPE | | | | |
| QUANTITY | | | | |
| BOX PACKING | 3 CONES PER PACK, 30 PACKS PER BOX | | | |
| VALUE ADDITION | | | | |
| PRINTING EFFECT | CMYK | | | |

CONES BOX



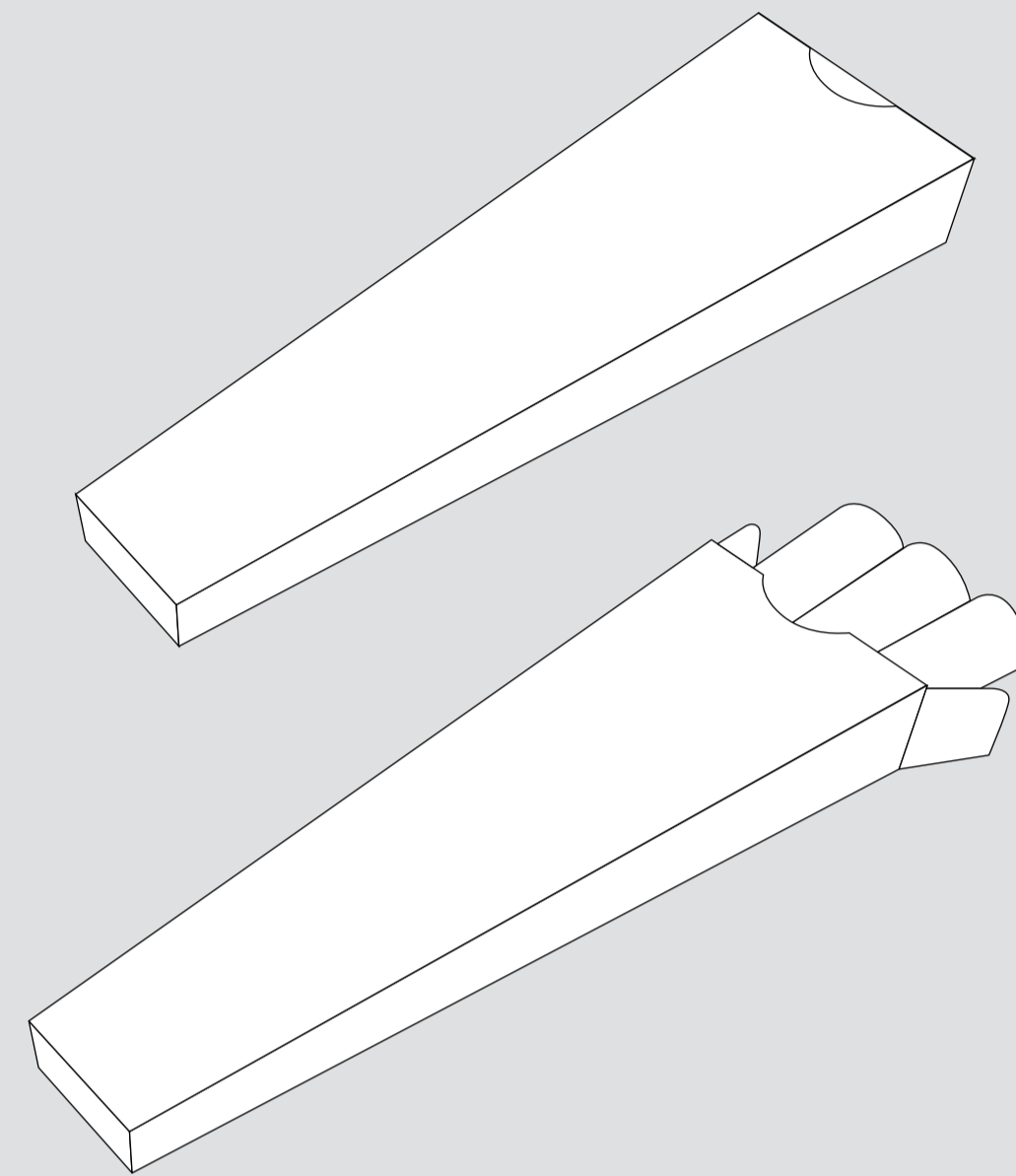
TIPS/CRUTCH



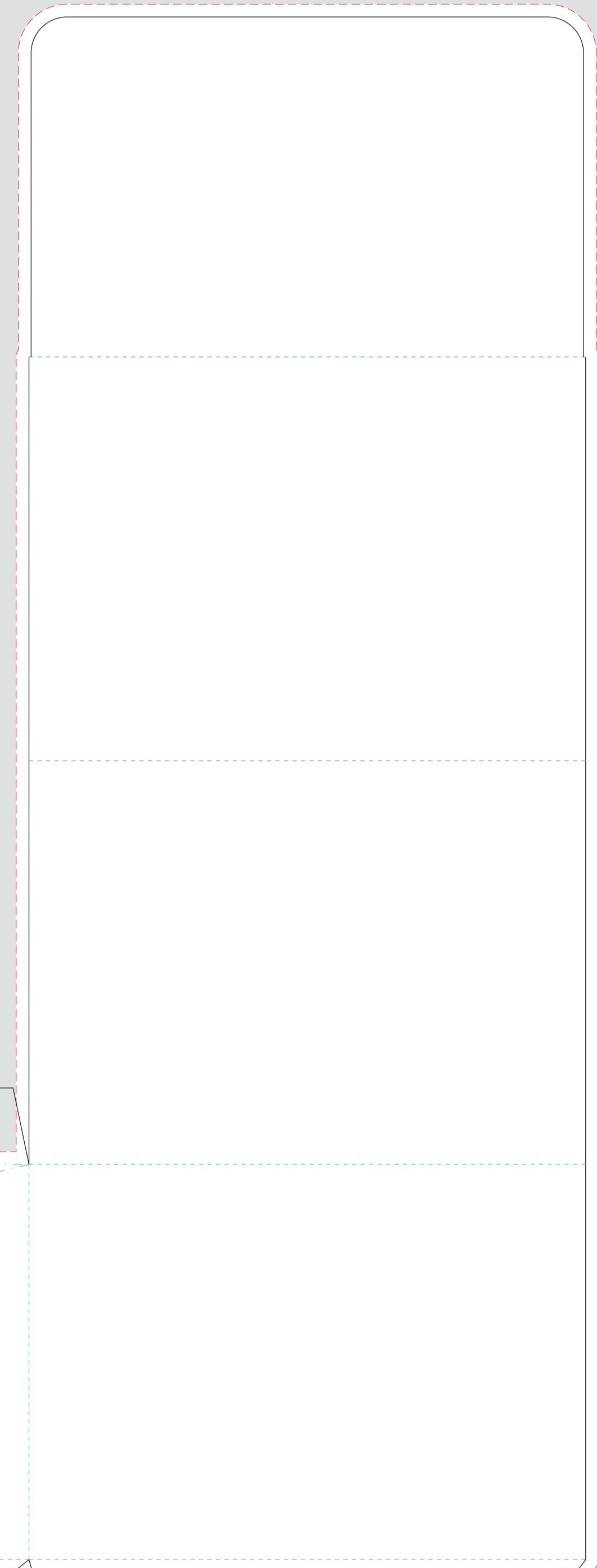
CONE PAPER



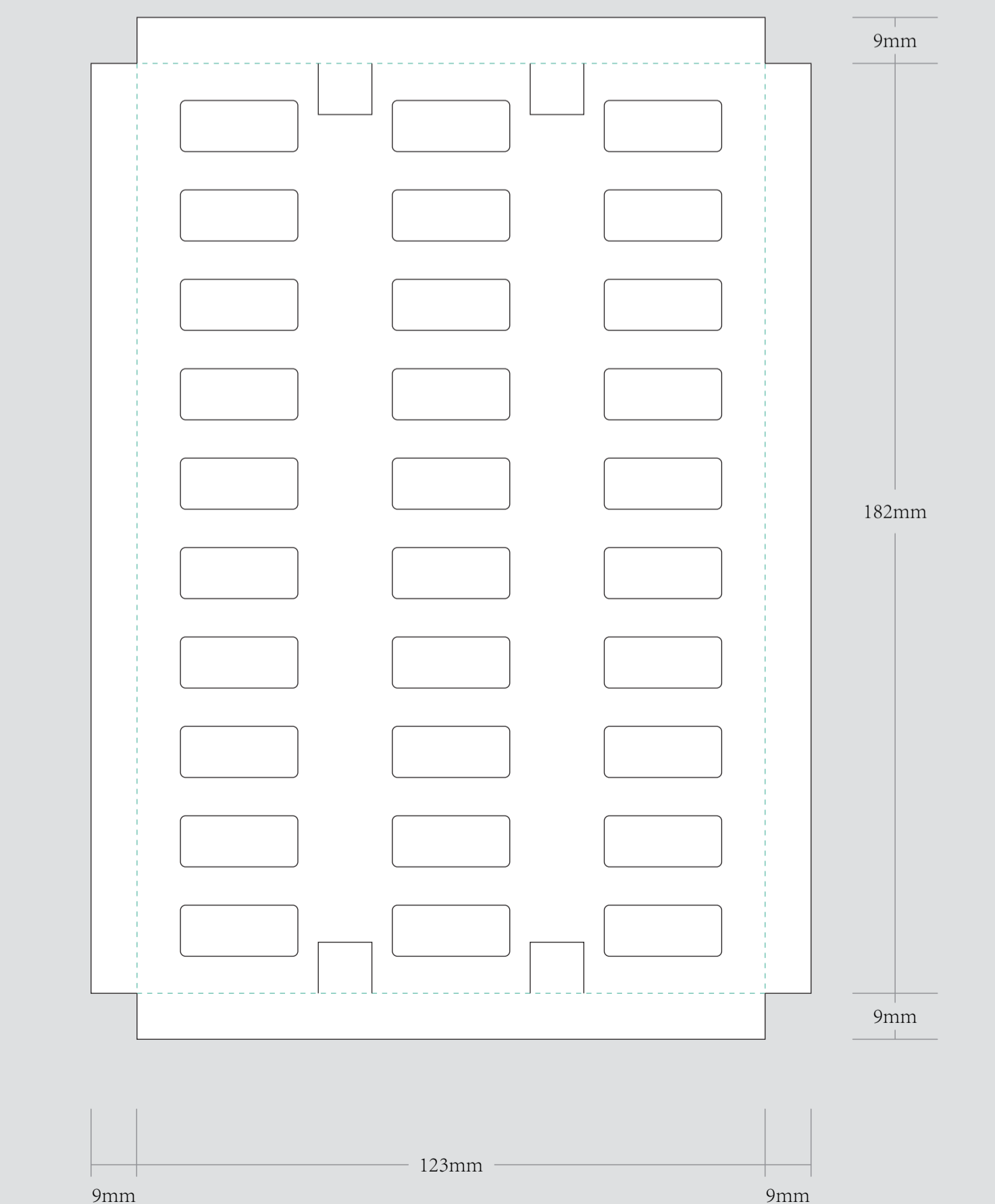
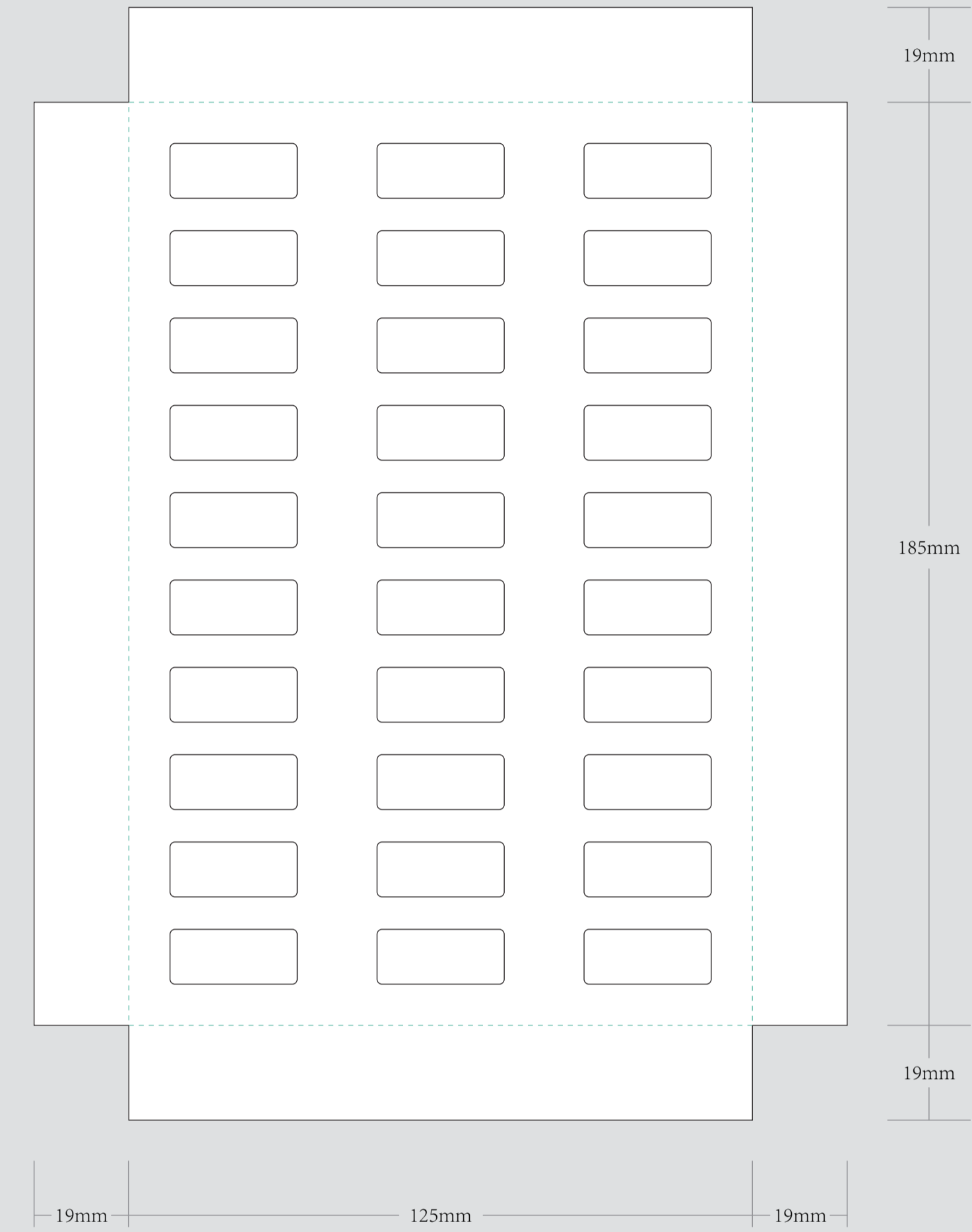
EXAMPLE



DISPLAY BOX



PAPER HODER



Tear Line
这条线做撕割线

Tear Line
这两条线做撕割线

