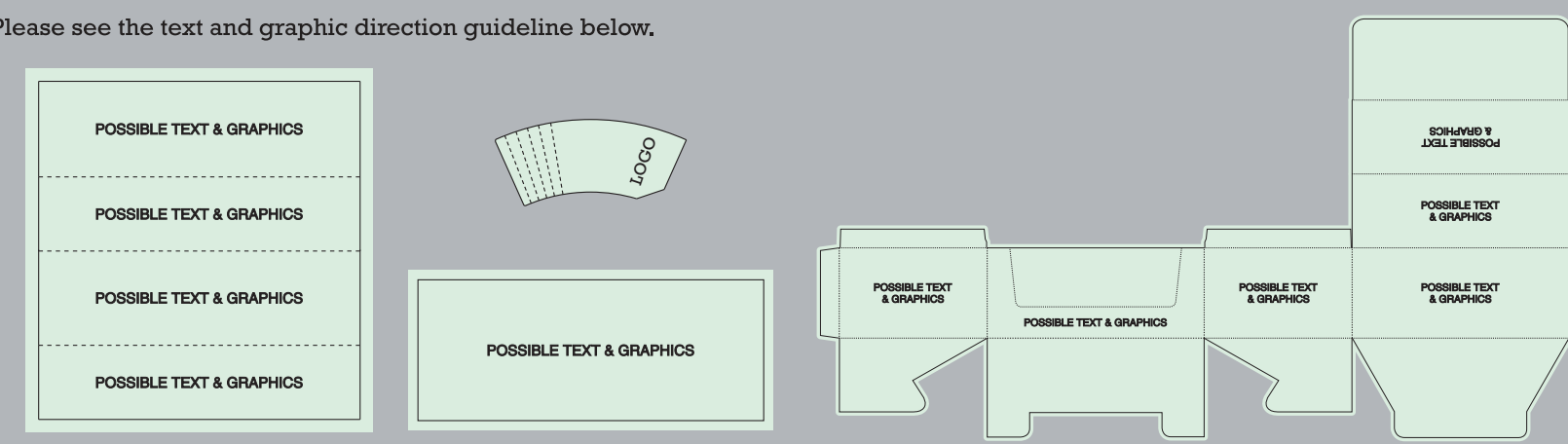


| ORDER DETAILS | |
|-----------------|--|
| MOCKUP NO. | WUFOO |
| INQUIRY NO. | INQUIRY.V1 |
| ORDER NO. | |
| PRODUCT DETAILS | |
| SIZE | CONE-6 CONE PER PCS-ACETATE BOX-109/28MM |
| PAPER TYPE | |
| QUANTITY | |
| BOX PACKING | 18 ACETATE BOXES PER DISPLAY |
| VALUE ADDITION | |
| PRINTING EFFECT | CMYK |

_____ DIE CUT LINE
 - - - - - FOLD LINE
 - - - - - BLEED LINE

REMARKS:
 - Artwork should be submitted in AI, EPS, PDF, CDR, PSD.
 - For JPEG, PNG and PSD please submit your artwork with a minimum of 300dpi

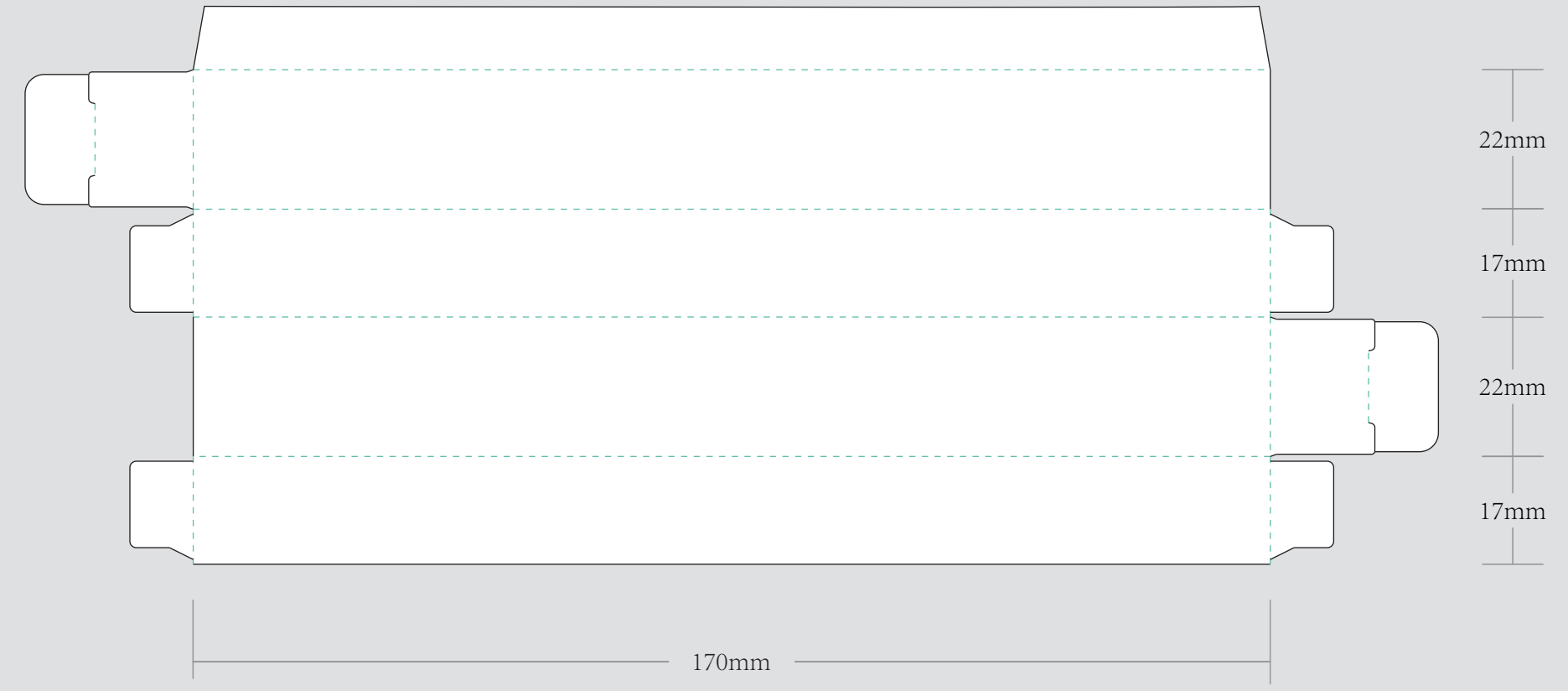
Please see the text and graphic direction guideline below.



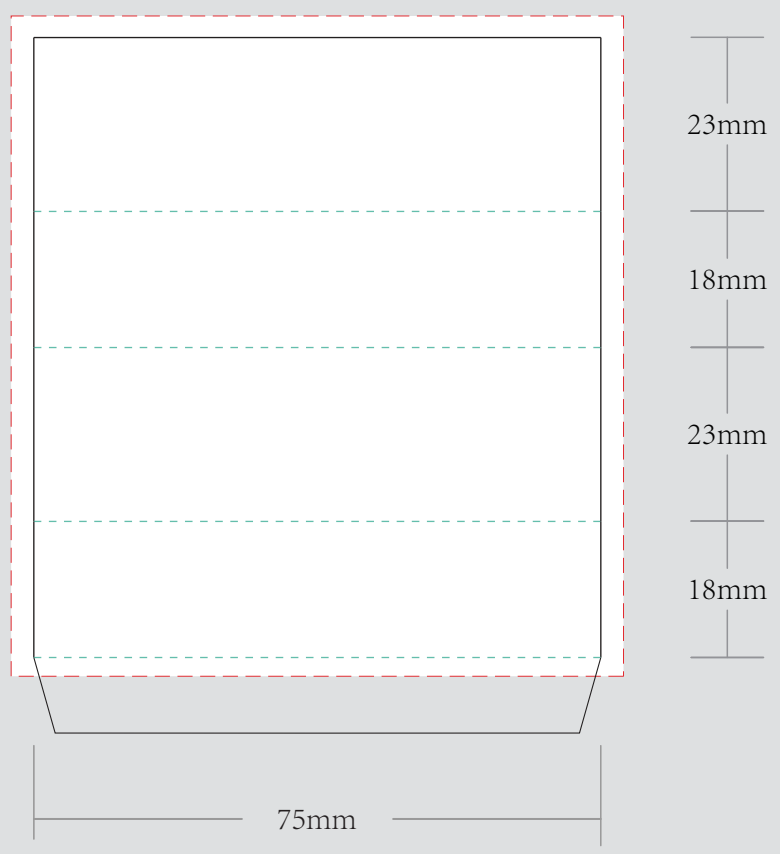
VISIBLE AREA

I accept the artwork and understand that any mistakes or omissions is my responsibility.
 DATE:
 PRINT NAME:
 APPROVAL SIGNATURE:

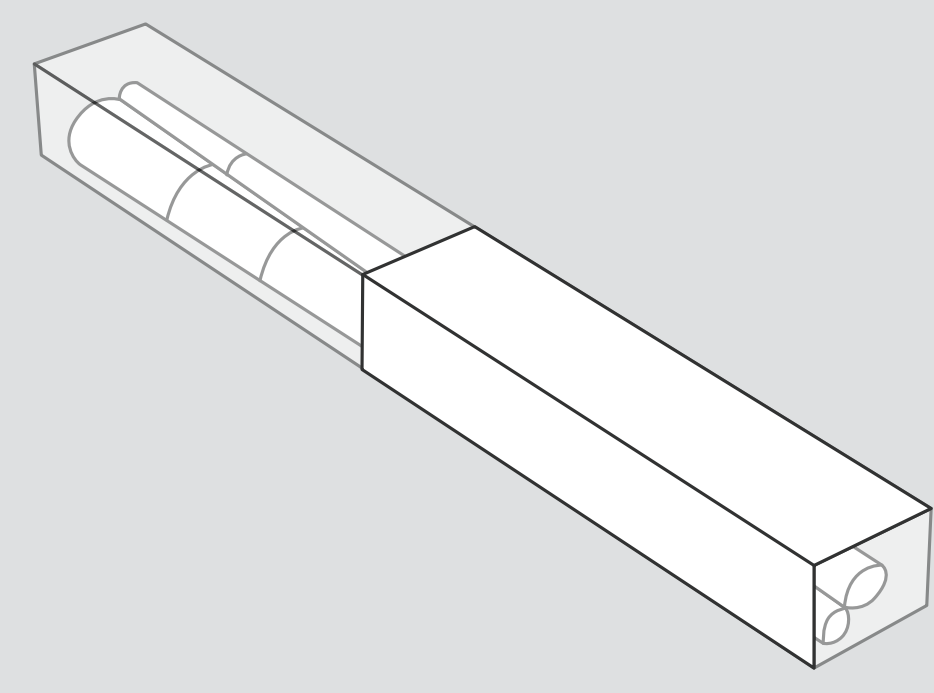
PLASTIC BOX



SLEEVE



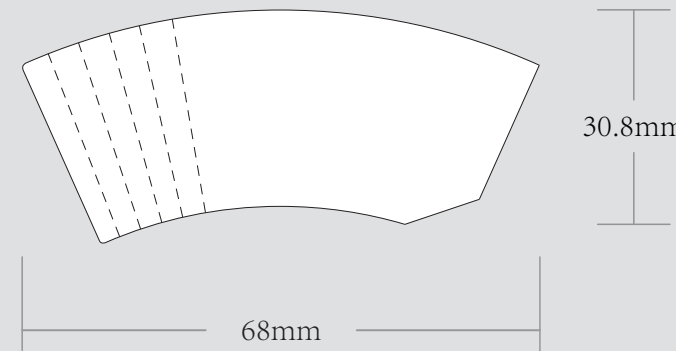
EXAMPLE



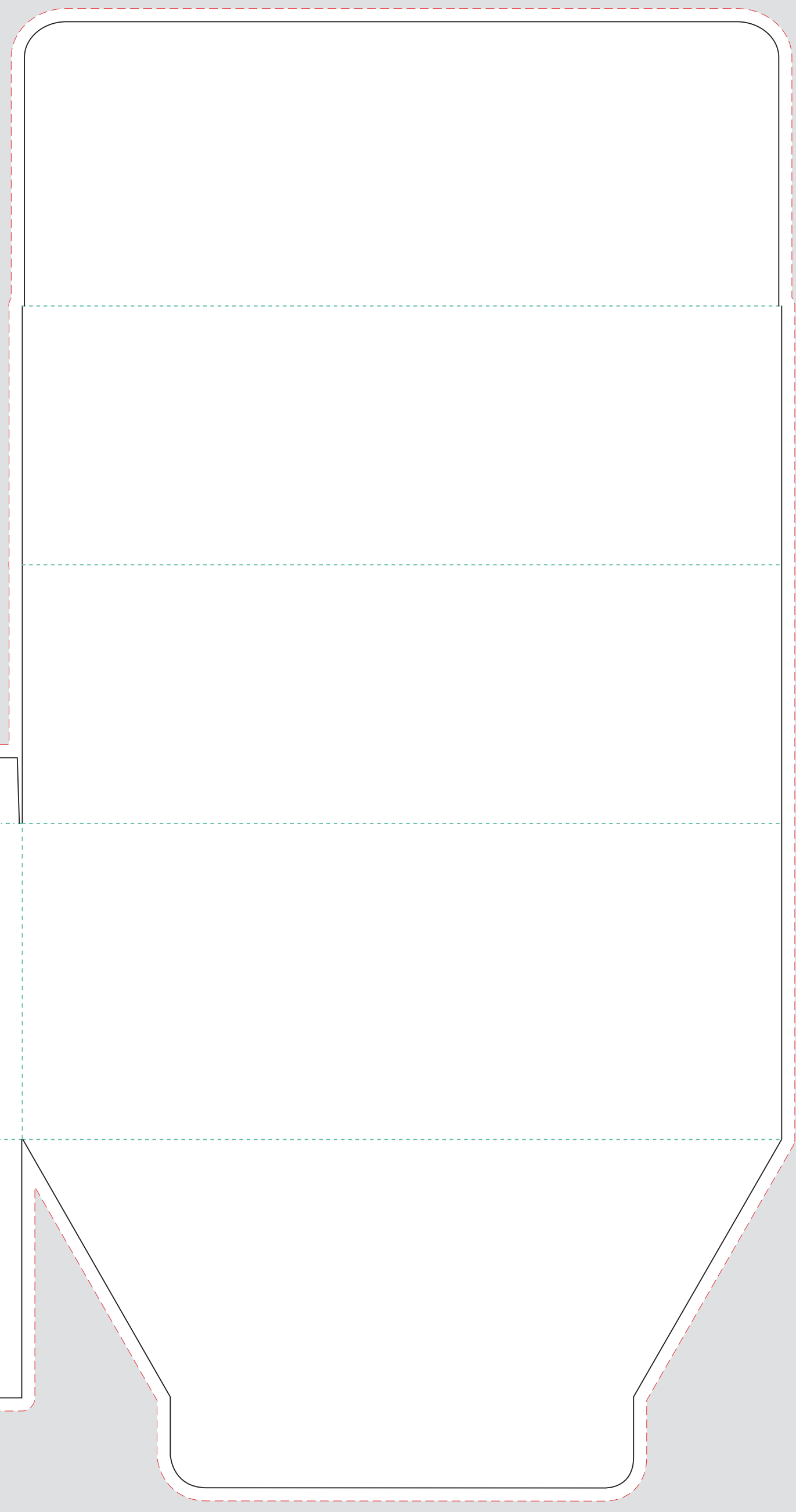
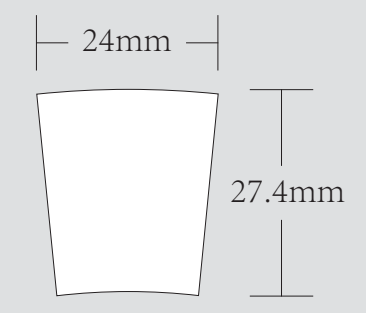
CONE PAPER



TIPS/CRUTCH



OUTSIDE STICKER WRAPPED ON TIPS



Tear Line
这条线做撕割线

Tear Line
这条线做撕割线

DISPLAY BOX

