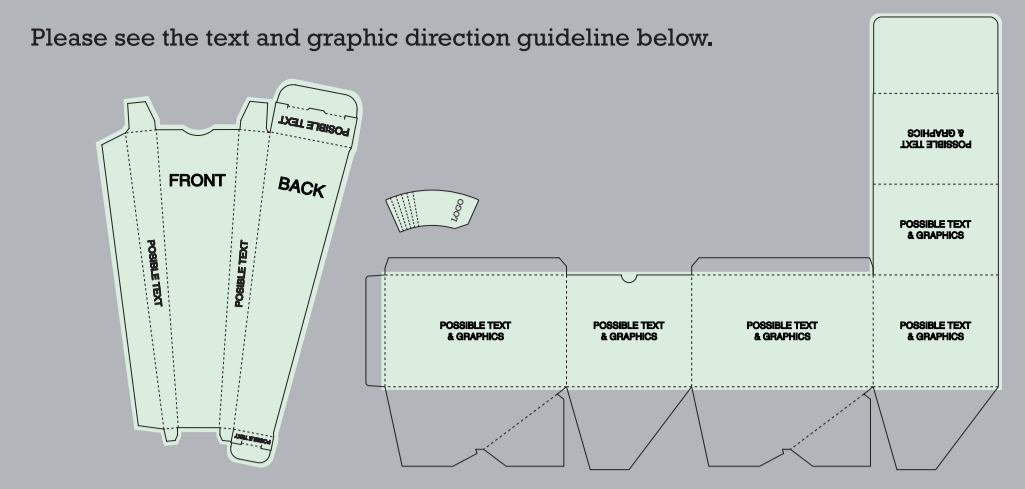
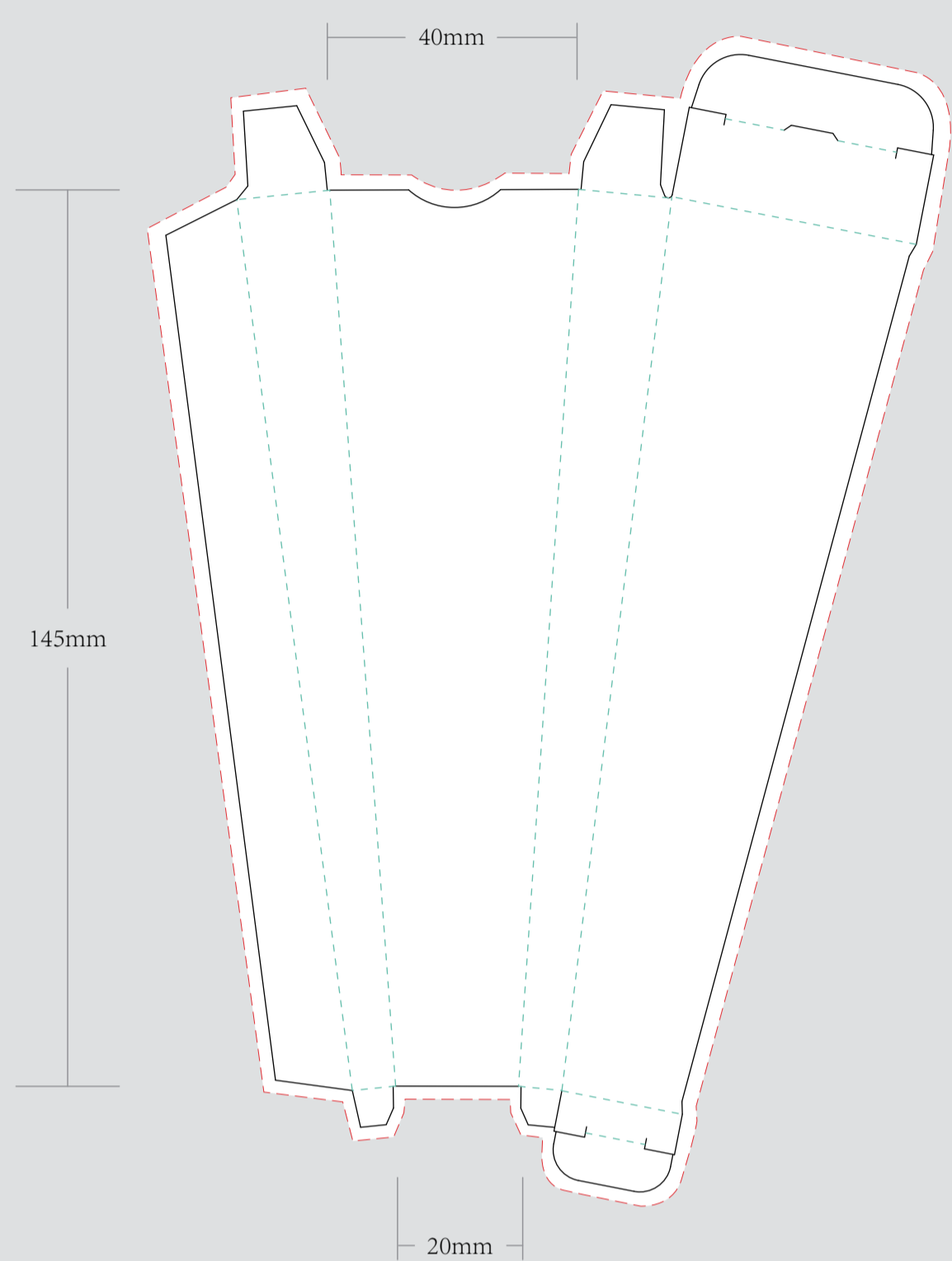
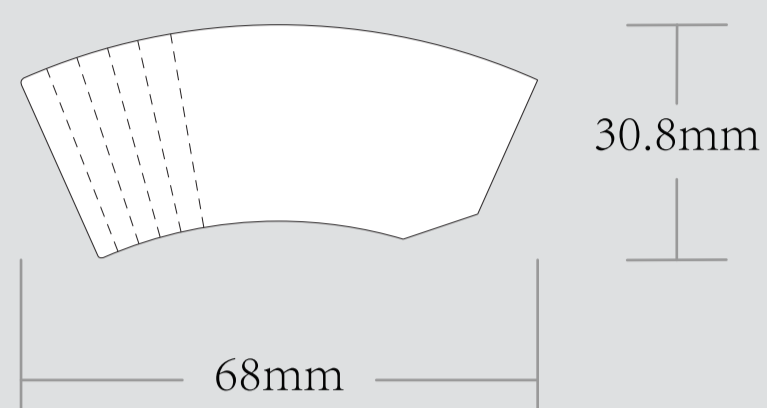


| | | | | |
|---|-----------------------------------|--|---|---|
| ORDER DETAILS | | <p>————— DIE CUT LINE</p> <p>----- FOLD LINE</p> <p>----- BLEED LINE</p> | <p>Please see the text and graphic direction guideline below.</p>  | <p><input type="checkbox"/> I accept the artwork and understand that any mistakes or omissions is my responsibility.</p> <p>DATE:</p> <p>PRINT NAME:</p> <p>APPROVAL SIGNATURE:</p> |
| MOCKUP NO. | WUFOO. | | | |
| INQUIRY NO. | INQUIRY_V1 | | | |
| ORDER NO. | | | | |
| PRODUCT DETAILS | | | | |
| SIZE | KING TALL TIP | | | |
| PAPER TYPE | | | | |
| QUANTITY | | | | |
| BOX PACKING | 4 CONES PER PACK/30 PACKS PER BOX | | | |
| VALUE ADDITION | | | | |
| PRINTING EFFECT | CMYK | | | |
| REMARKS: | | | | |
| - Artwork should be submitted in AI, EPS, PDF, CDR, PSD. | | | | |
| - For JPEG, PNG and PSD please submit your artwork with a minimum of 300dpi | | | | |

CONES BOX



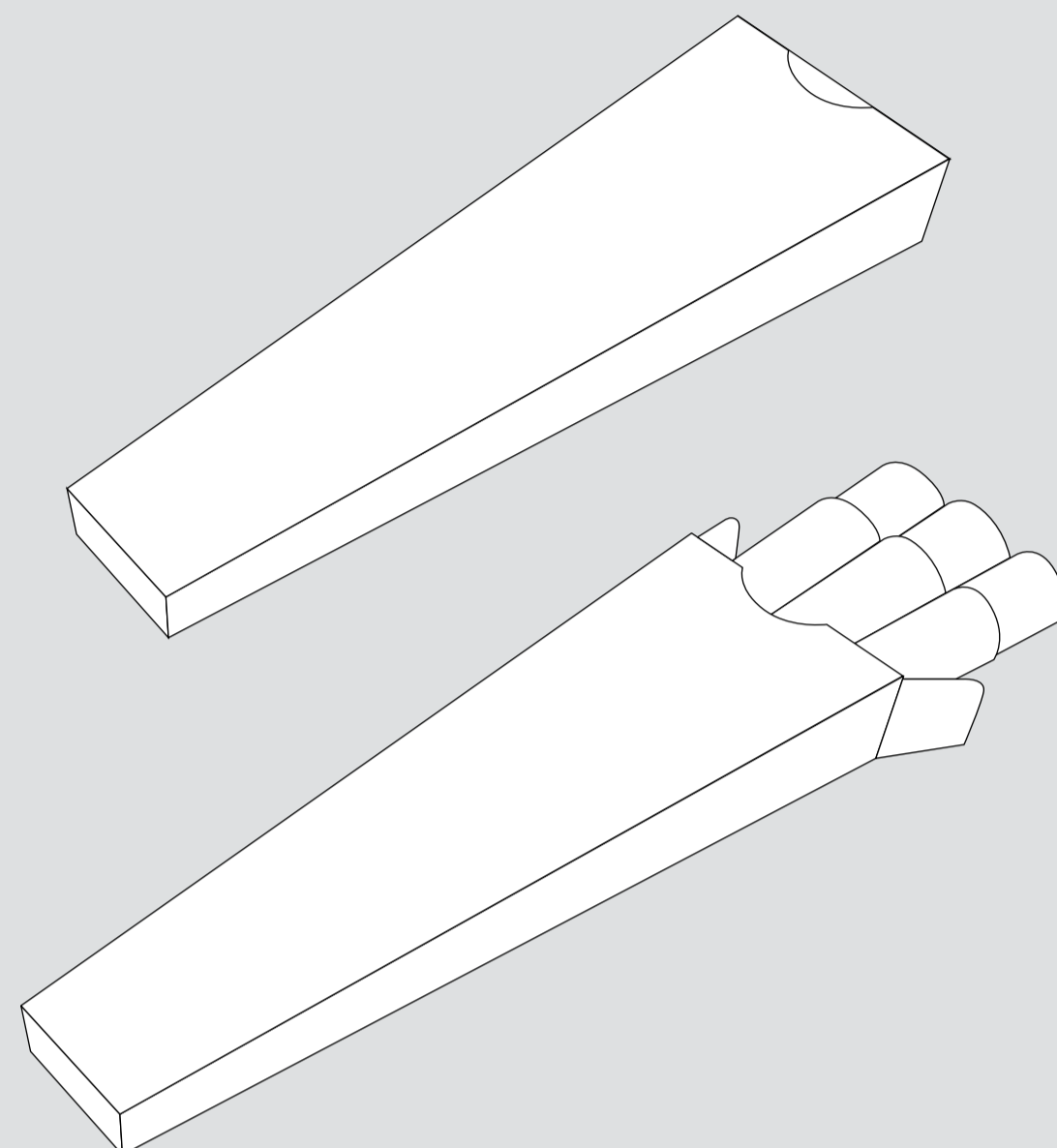
TIPS/CRUTCH



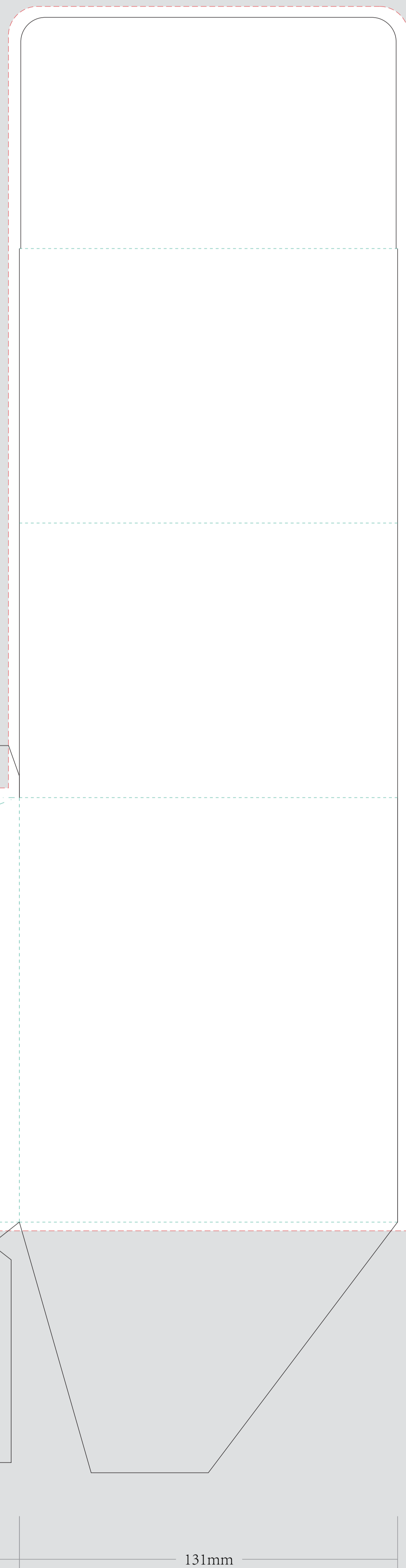
CONE PAPER



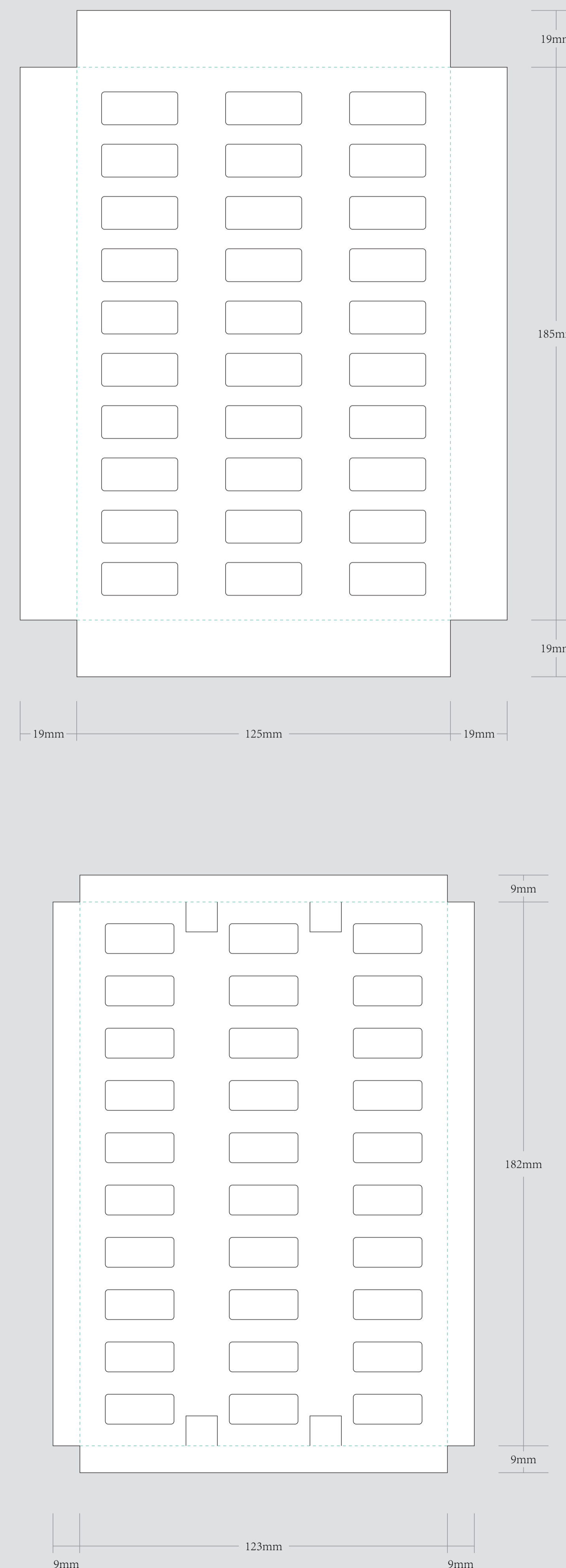
EXAMPLE



DISPLAY BOX



PAPER HODER



Tear Line
这条线做撕割线

Tear Line
这两条线做撕割线