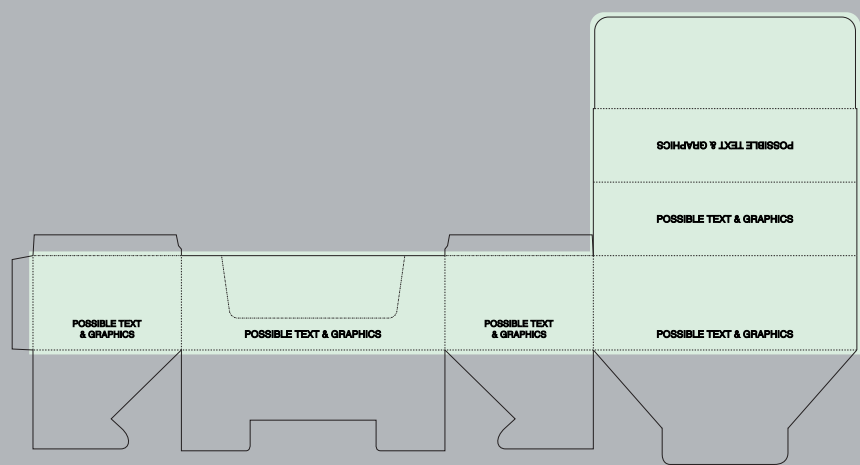
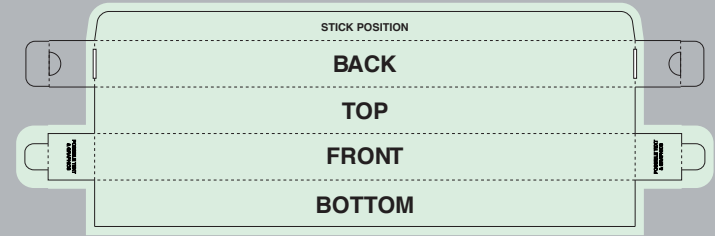


ORDER DETAILS	
MOCKUP NO.	WUFOO
INQUIRY NO.	INQUIRY.V1
ORDER NO.	
PRODUCT DETAILS	
SIZE	CONE-109-26-4PC-24 BOX
PAPER TYPE	
QUANTITY	
BOX PACKING	24 TUBES A BOX
VALUE ADDITION	
PRINTING EFFECT	CMYK

- DIE CUT LINE
- - - FOLD LINE
- - - BLEED LINE

REMARKS:
 - Artwork should be submitted in AI, EPS, PDF, CDR, PSD.
 - For JPEG, PNG and PSD please submit your artwork with a minimum of 300dpi

Please see the text and graphic direction guideline below.



VISIBLE AREA

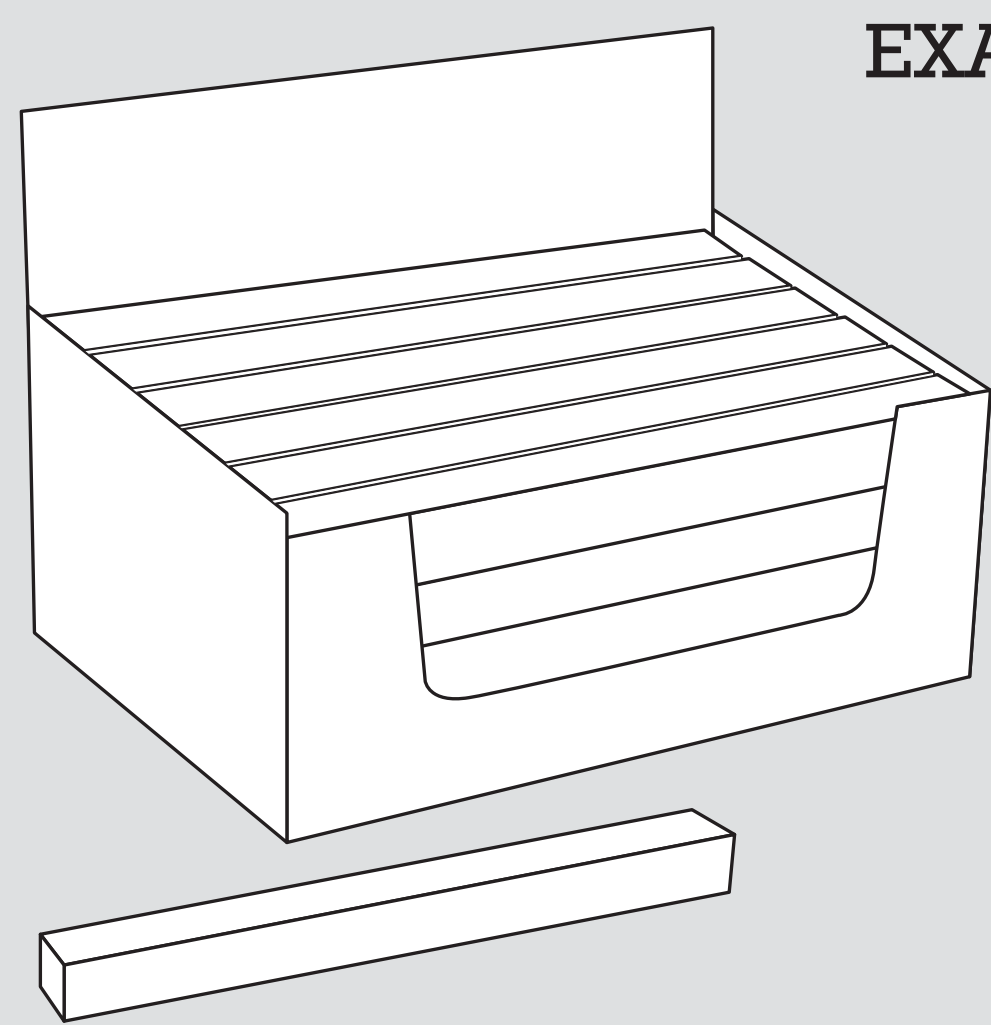
I accept the artwork and understand that any mistakes or omissions is my responsibility.

DATE:

PRINT NAME:

APPROVAL SIGNATURE:

SMALL BOX

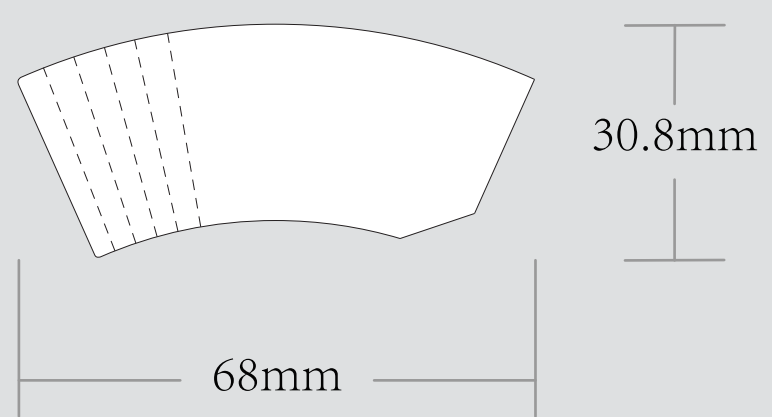


EXAMPLE

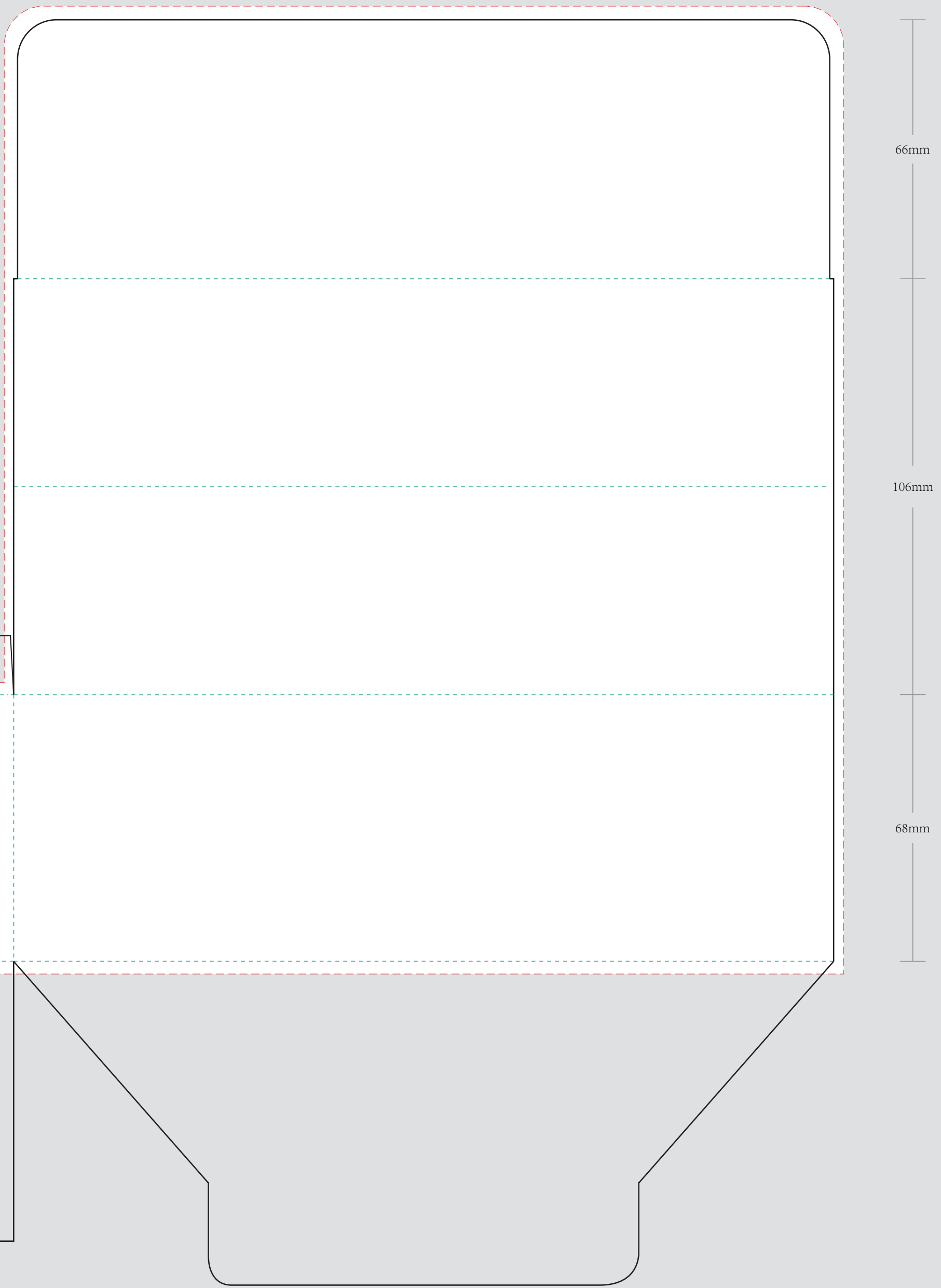
PAPER



TIPS/CRUTCH



DISPLAY BOX



Tear Line
这条线做撕割线

Tear Line
这条线做撕割线

107mm

209mm

107mm

209mm