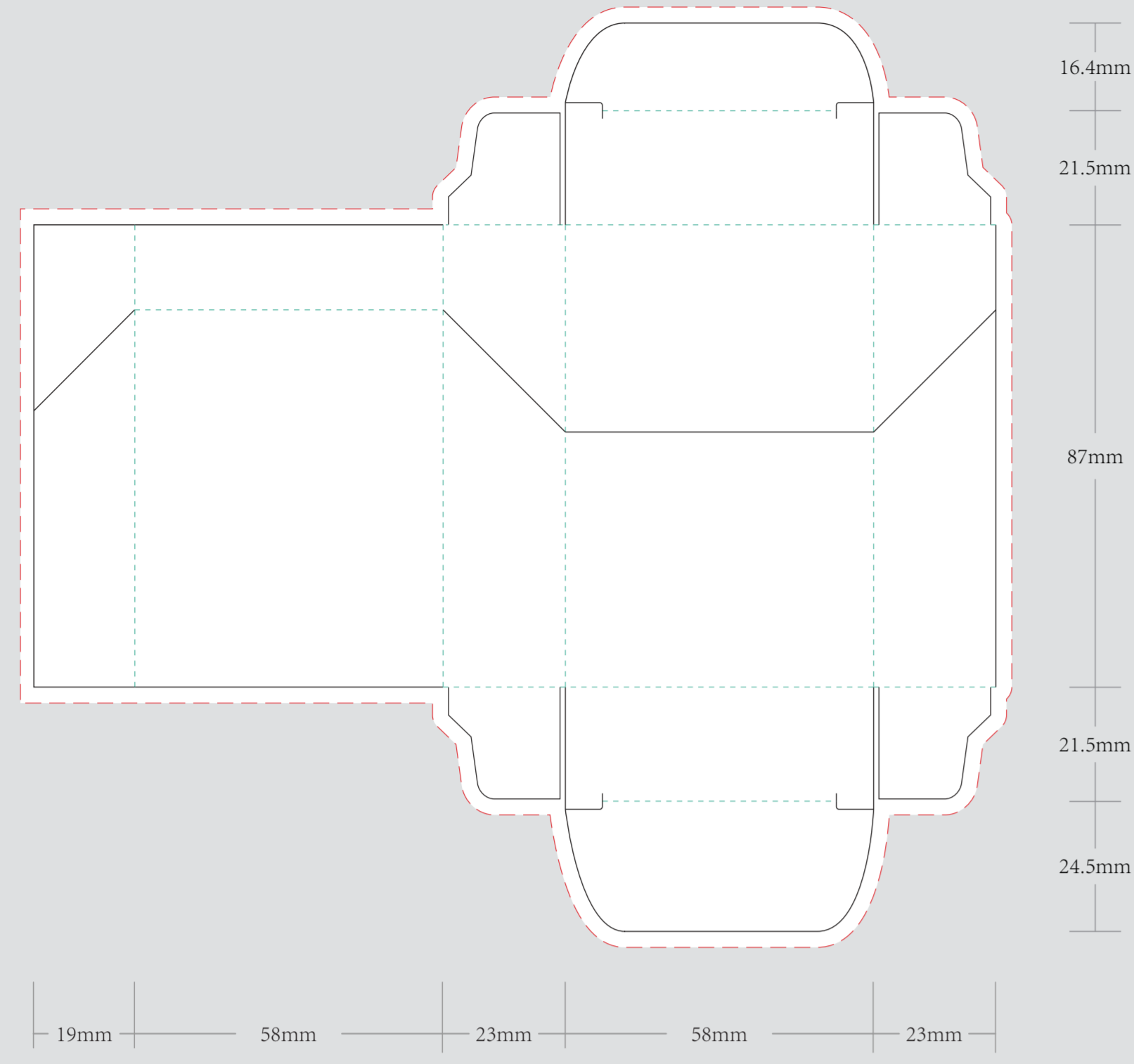
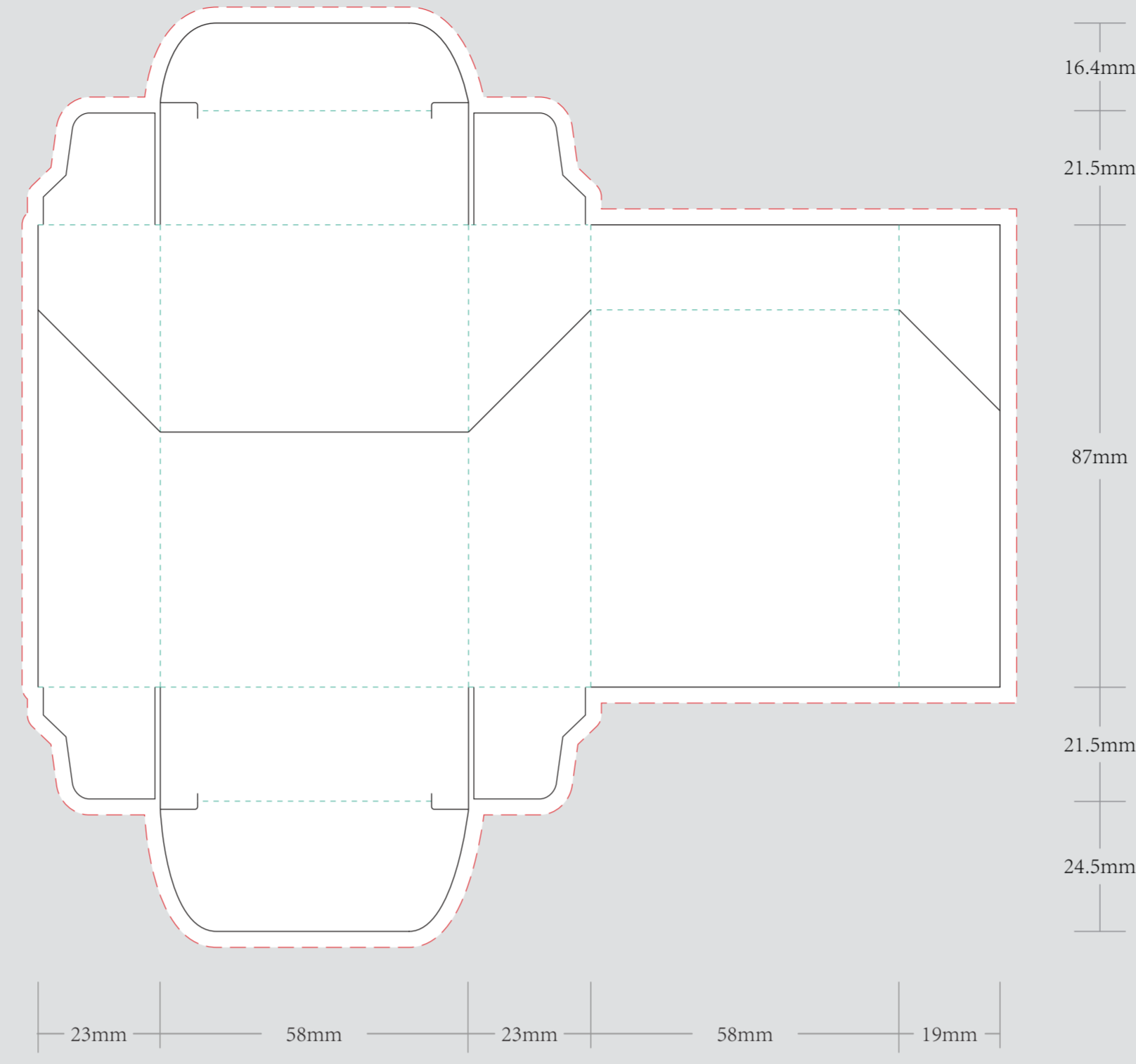


ORDER DETAILS		<p>————— DIE CUT LINE</p> <p>- - - - - FOLD LINE</p> <p>..... BLEED LINE</p>	<p>Please see the text and graphic direction guideline below.</p> 	<p>VISIBLE AREA</p> <p><input type="checkbox"/> I accept the artwork and understand that any mistakes or omissions is my responsibility.</p> <p>DATE: .....</p> <p>PRINT NAME: .....</p> <p>APPROVAL SIGNATURE: .....</p>
MOCKUP NO.	WYFQD.			
INQUIRY NO.	(INQUIRY #838 YF-J)			
PRODUCT DETAILS		<p>REMARKS:</p> <p>- Artwork should be submitted in AI, EPS, PDF, CDR, PSD.</p> <p>- For JPEG, PNG and PSD please submit your artwork with a minimum of 300dpi</p>		
SIZE	BURN KIT			
PAPER TYPE				
QUANTITY				
BOX PACKING				
VALUE ADDITION				
PRINTING EFFECT	CMYK			

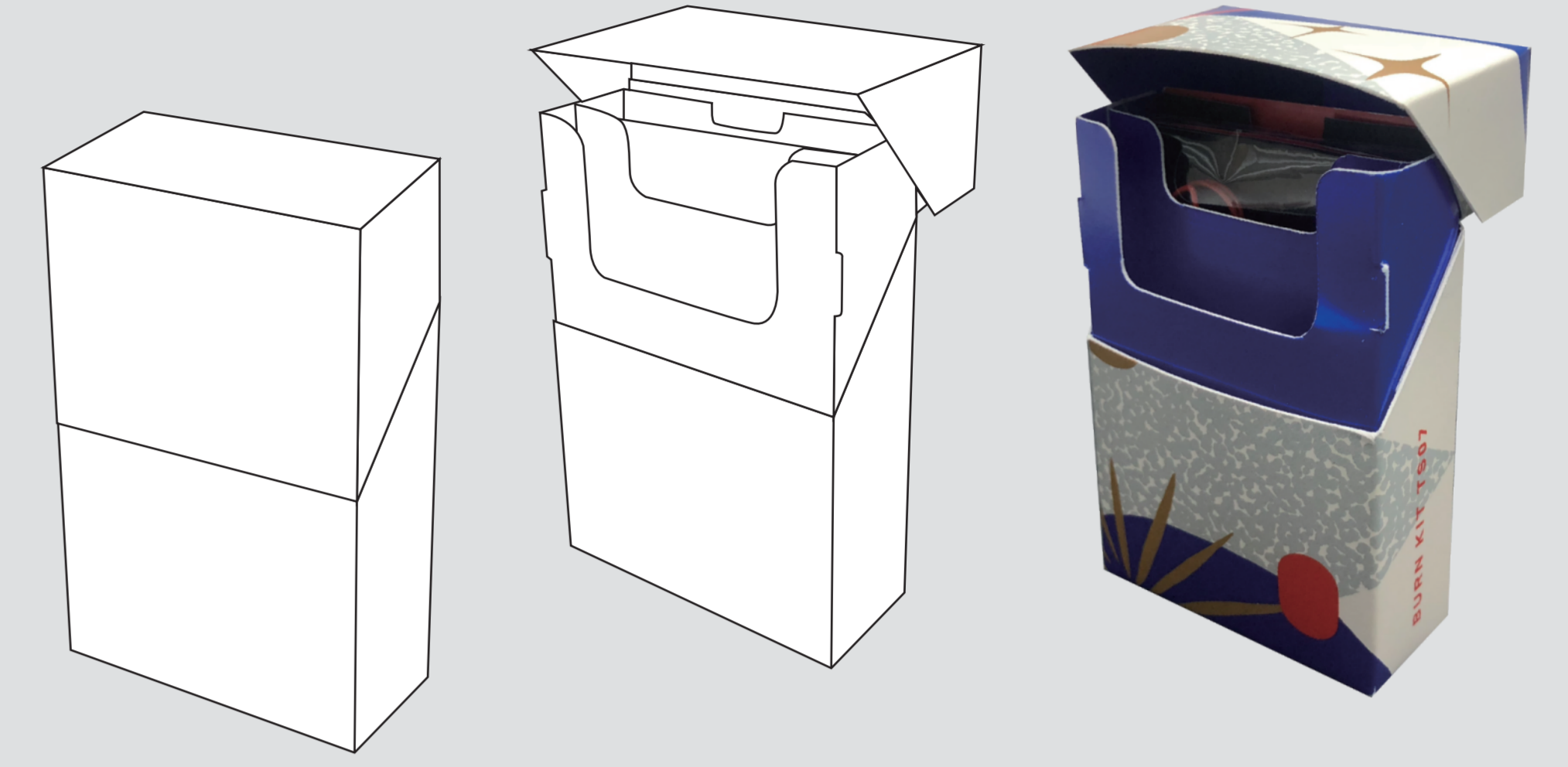
**350g单铜纸**  
**CIGARETTE BOX**  
**OUTSIDE**



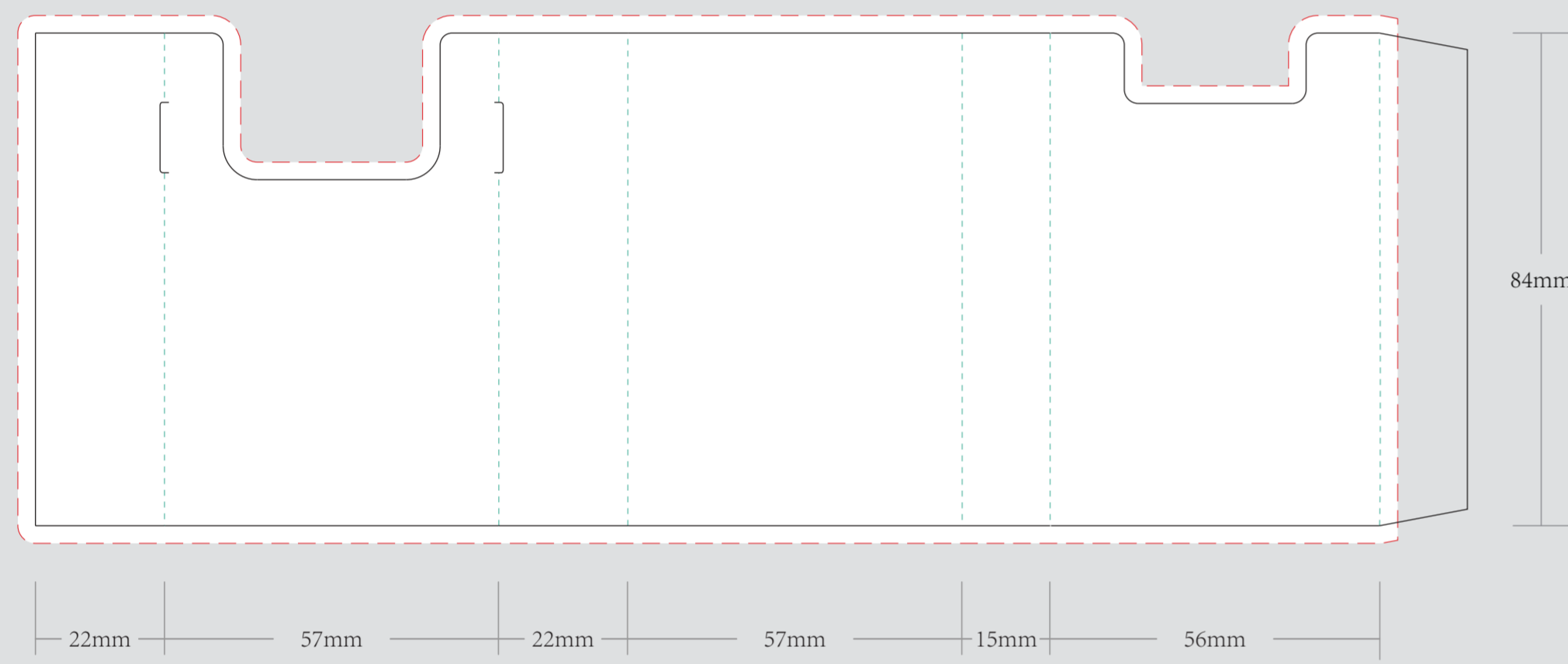
**350g单铜纸**  
**CIGARETTE BOX**  
**INSIDE**



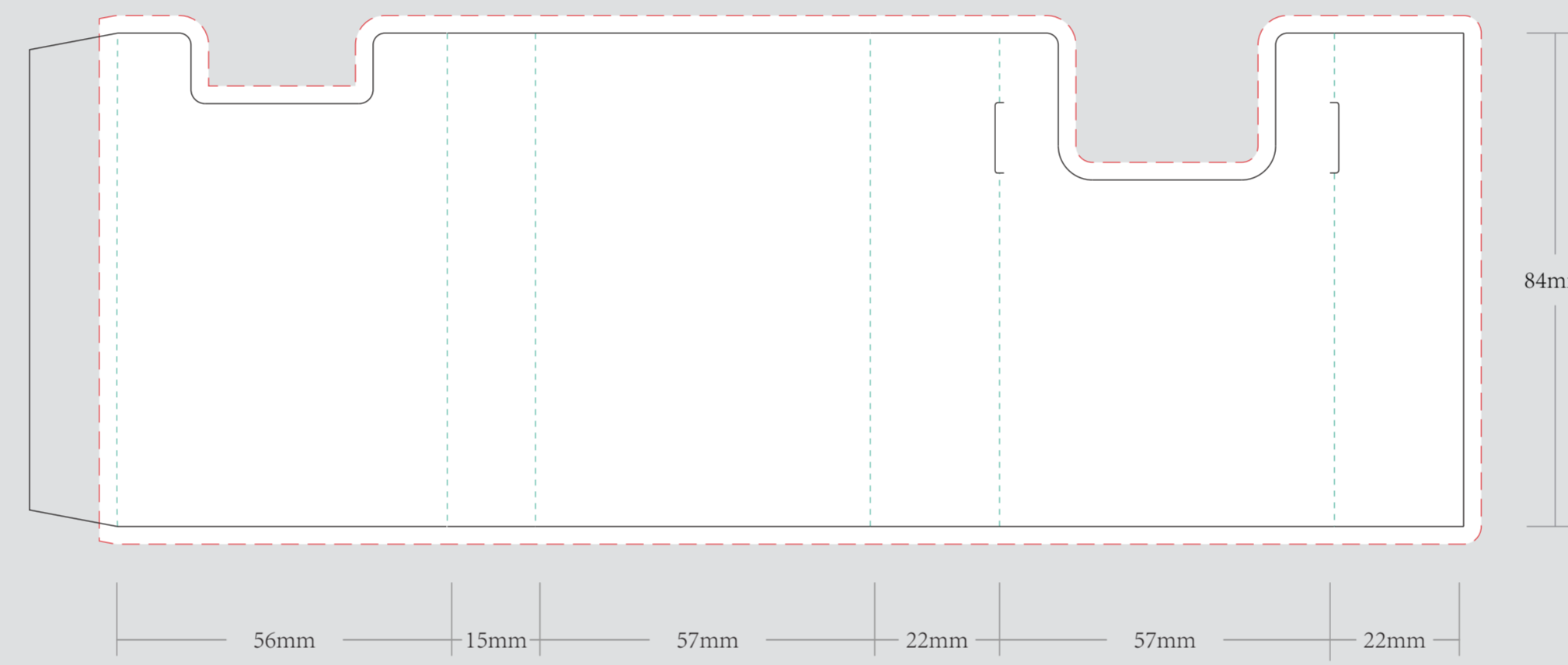
**EXAMPLE**



**250g单铜纸**  
**HOLDER OUTSIDE**



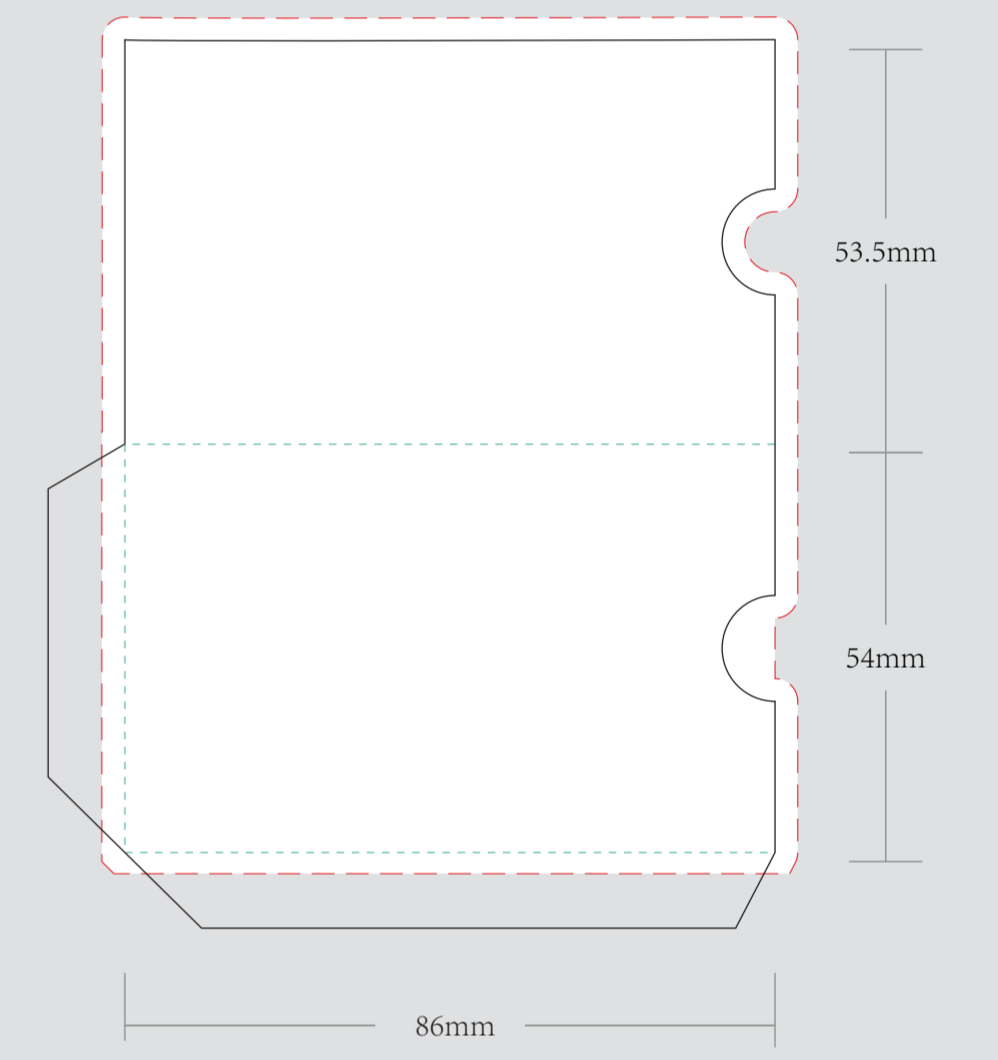
**250g单铜纸**  
**HOLDER INSIDE**



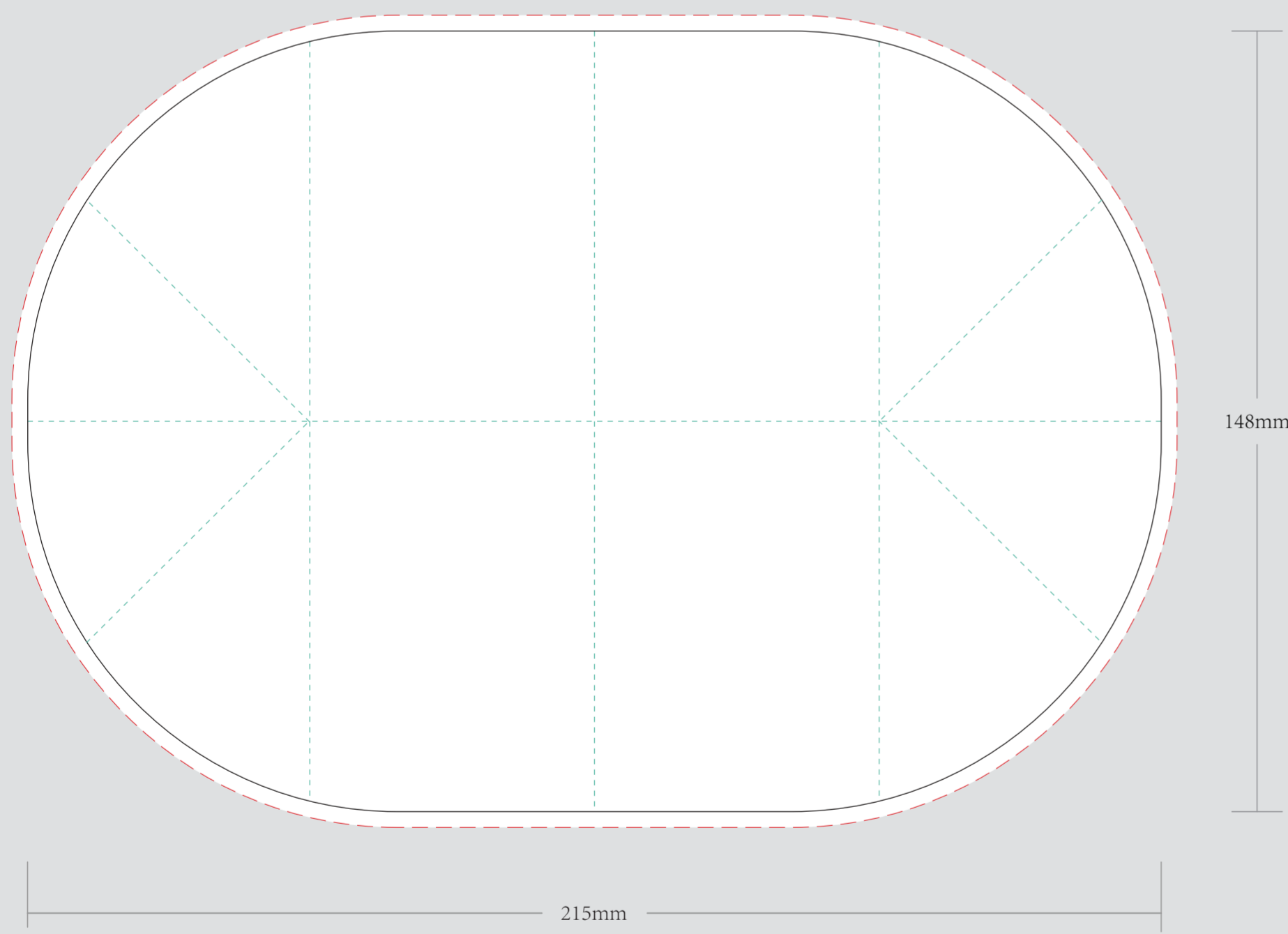
**250g单铜纸**  
**PAPER CARD**



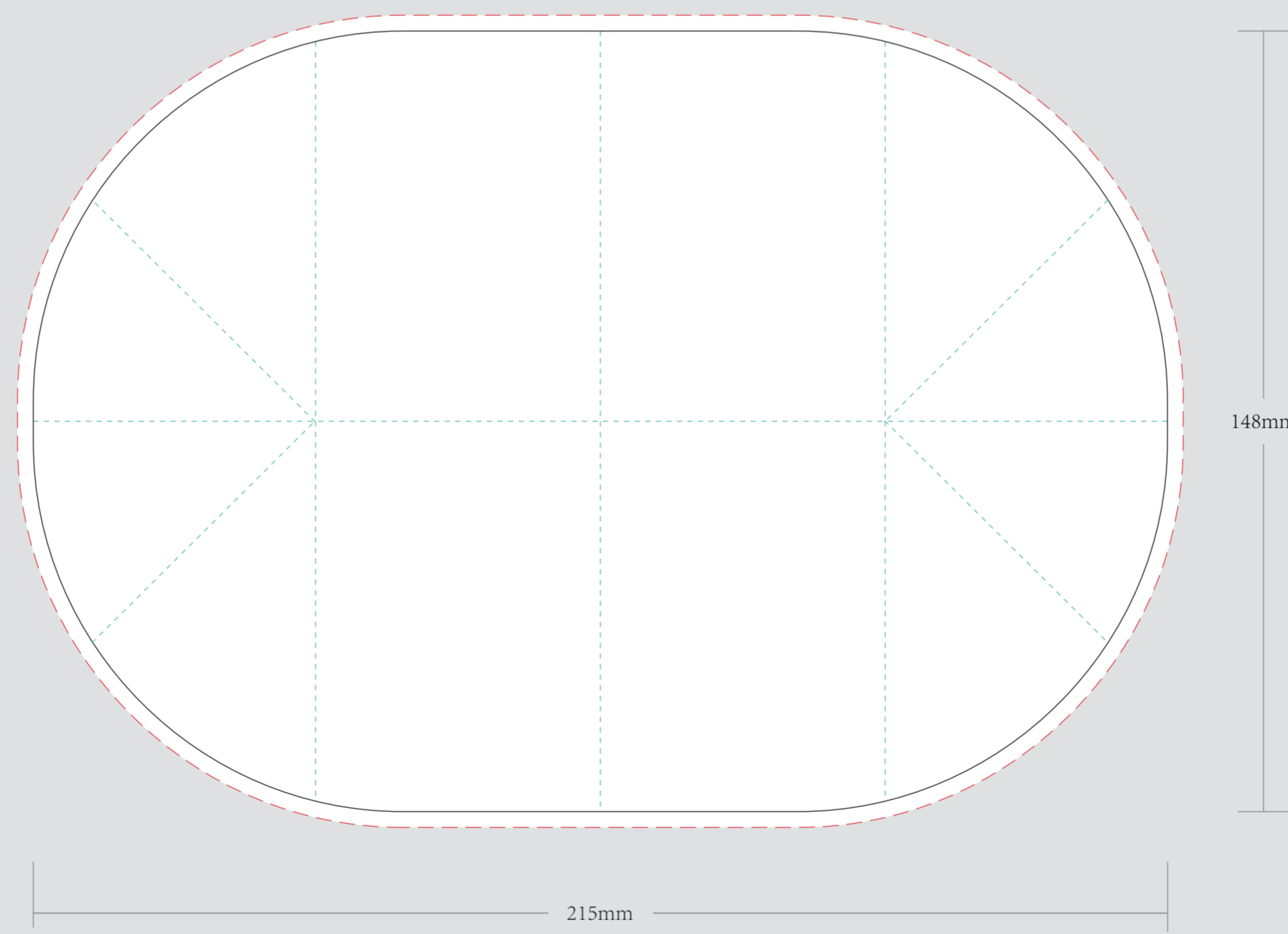
**250g单铜纸**  
**PAPER SLEEVE**



**300g单铜纸**  
**PAPER TRAY OUTSIDE**



**300g单铜纸**  
**PAPER TRAY INSIDE**



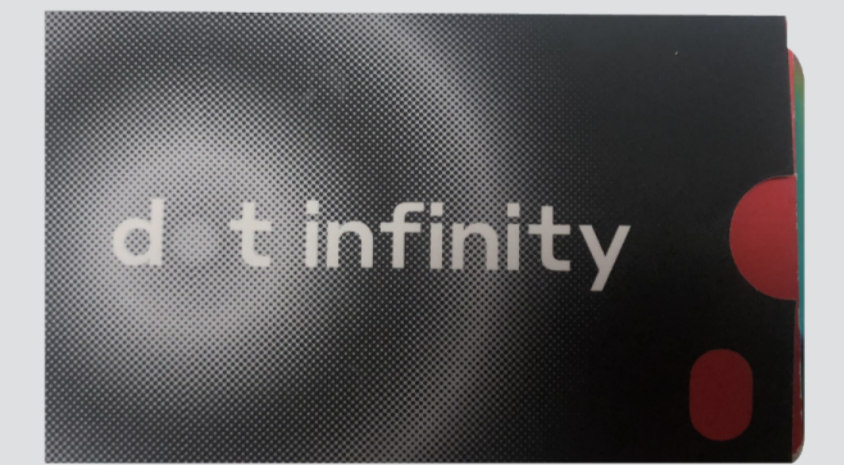
**GRINDER CARD**  
**FRONT**



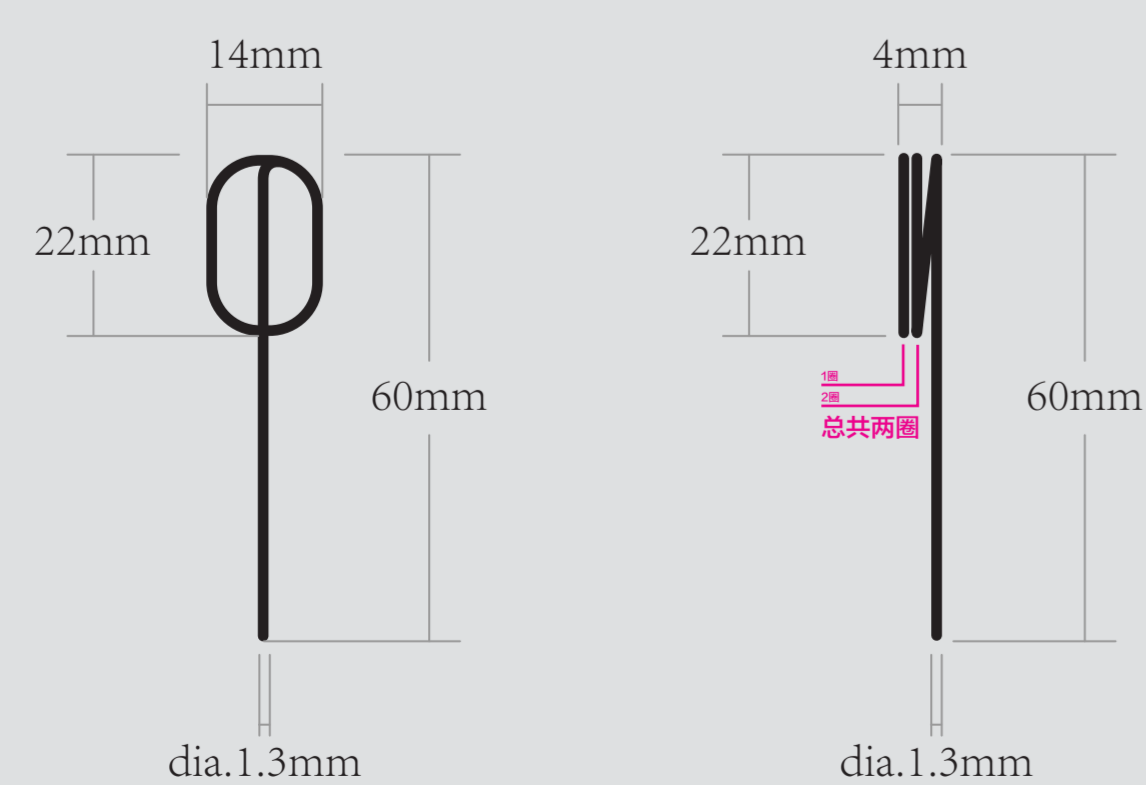
**GRINDER CARD**  
**BACK**



金属卡片、纸卡放在卡套里面  
效果图如下：



**IRON WIRE**



回形针正视图

回形针右视图

椭圆纸盘和回形针放在透明小袋子里面，  
效果图如右：



**包装：**  
**B8飞机盒尺寸23X16X5cm**  
**10个烟盒装一个B8飞机盒**  
**6个B8飞机盒装一个3号纸箱**



ORDER DETAILS	
MOCKUP NO.	WUFOO
INQUIRY NO.	INQUIRY.9635.V3-J
ORDER NO.	
PRODUCT DETAILS	
SIZE	ONE AND QUARTER WITH ROUND MAGNET
PAPER TYPE	
QUANTITY	
BOX PACKING	22 BOOKLETS A BOX
VALUE ADDITION	
PRINTING EFFECT	CMYK

\_\_\_\_\_ DIE CUT LINE  
 - - - - - FOLD LINE  
 - - - - - BLEED LINE

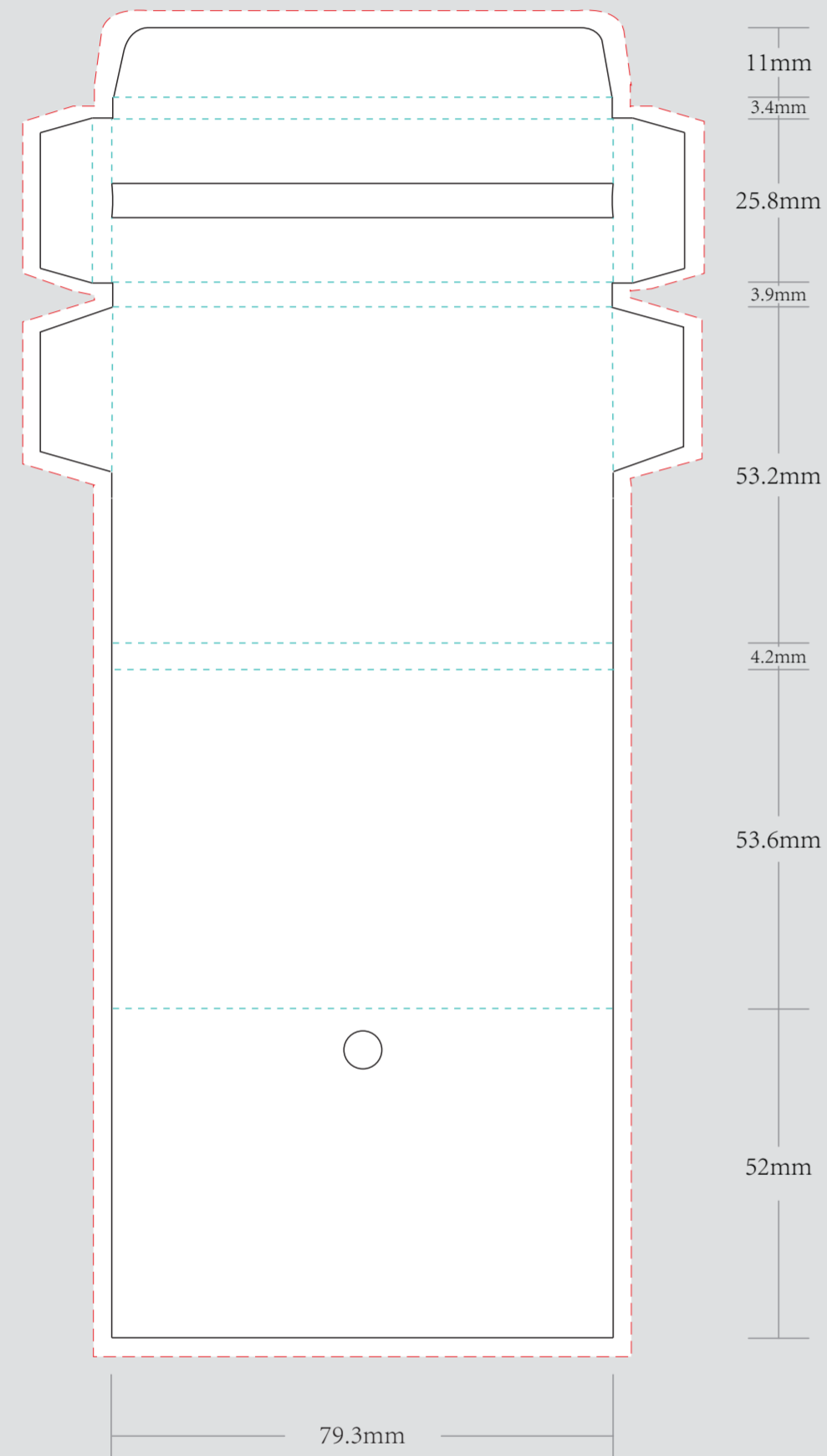
**REMARKS:**  
 - Artwork should be submitted in AI, EPS, PDF, CDR, PSD.  
 - For JPEG, PNG and PSD please submit your artwork with a minimum of 300dpi

Please see the text and graphic direction guideline below.

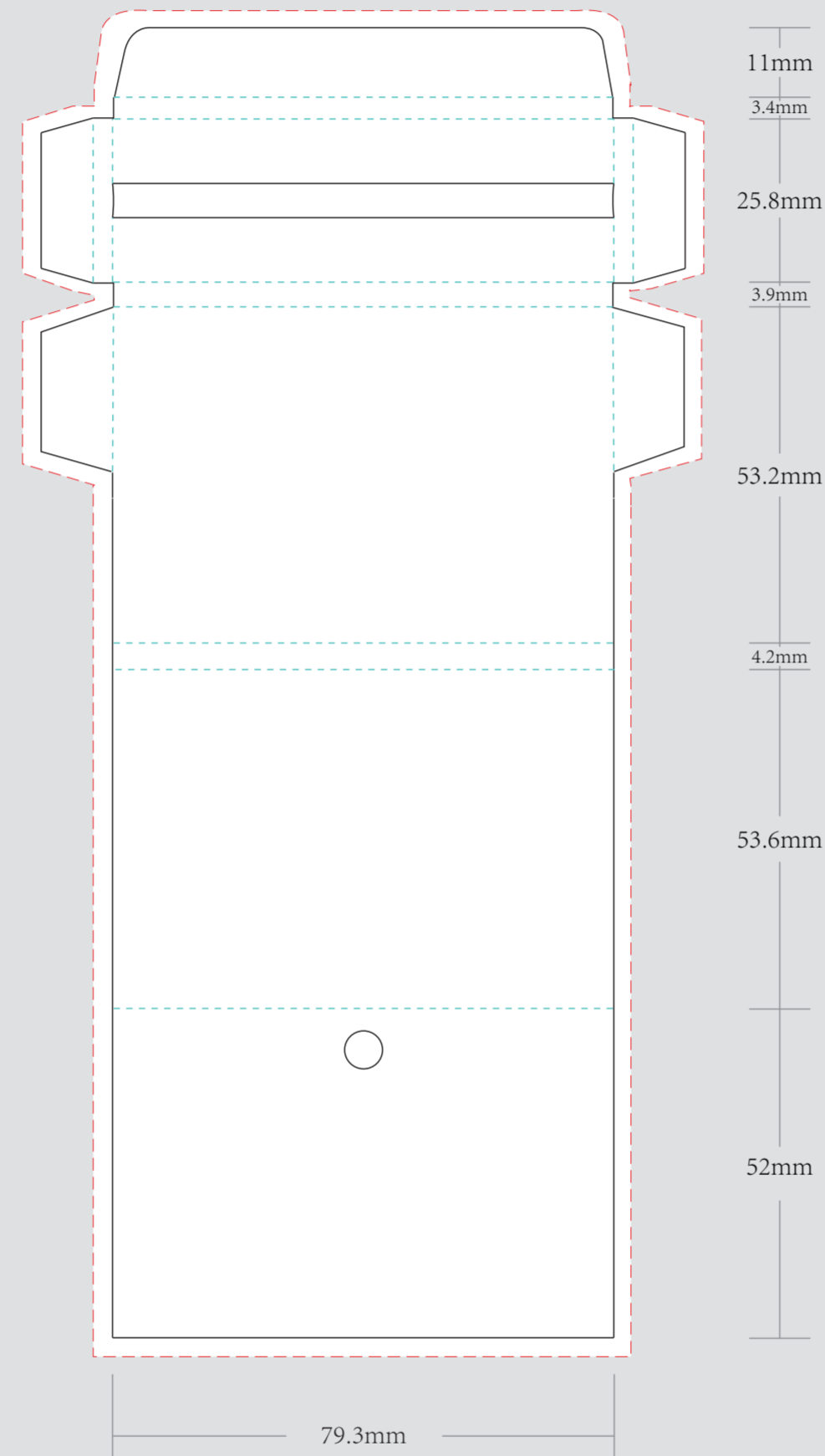
VISIBLE AREA

I accept the artwork and understand that any mistakes or omissions is my responsibility.  
 DATE: .....  
 PRINT NAME: .....  
 APPROVAL SIGNATURE: .....

**OUTSIDE**



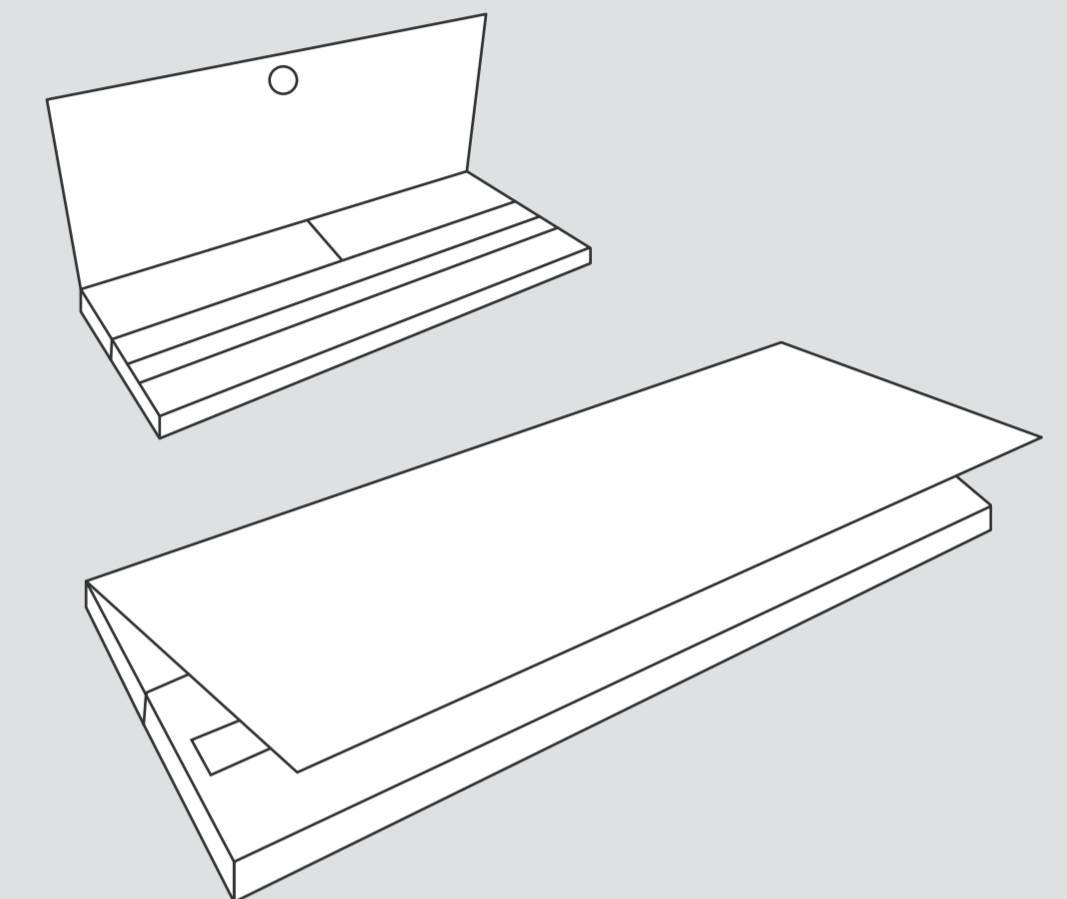
**INSIDE**



GRINDER CARD & TRAY

ROLLING PAPERS

**EXAMPLE**



**WHITE TIPS  
 WITH 3 PERFORATED LINES  
 白色滤纸 (需要3条撕割线)**

