

ORDER DETAILS	
MOCKUP NO.	
INQUIRY NO.	INQUIRY..V1
ORDER NO.	
PRODUCT DETAILS	
SIZE	8.3*5.6*0.63 INCHES (21.2*14.2*1.6CM)
QUANTITY	
COLOR	WHITE BASE / BLACK BASE
VALUE ADDITION	
PRINTING EFFECT	

————— DIE CUT LINE
 - - - - - PATTERN DIE CUT LINE

REMARKS:
 - Artwork should be submitted in AI, EPS, PDF, CDR, PSD.
 - For JPEG, PNG and PSD please submit your artwork with a minimum of 300dpi

Please see the text and graphic direction guideline below.

VISIBLE AREA

I accept the artwork and understand that any mistakes or omissions is my responsibility.

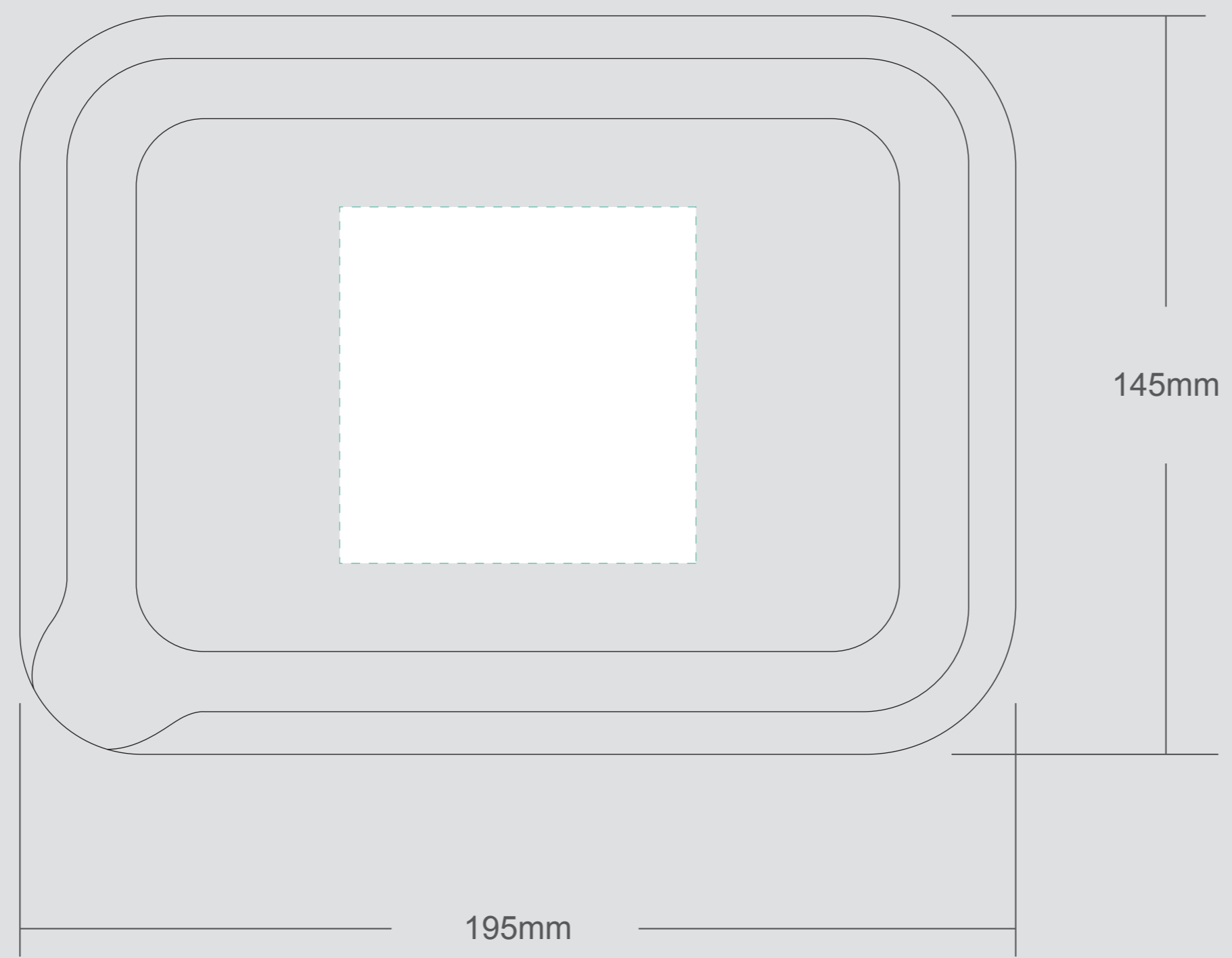
DATE:

PRINT NAME:

APPROVAL SIGNATURE:

BIODEGRADABLE PLASTIC ROLLING TRAY

EXAMPLE



1. PLEASE PUT THE DESIGN IN GREEN DOTTED LINE AREA
2. LOGO SILK PRINT, MAXIMUM 2 COLORS PRINTING
3. ROLLING TRAY COLORS: BLACK OR WHITE