

ORDER DETAILS	
MOCKUP NO.	WUFOO
INQUIRY NO.	INQUIRY.V1
ORDER NO.	
PRODUCT DETAILS	
SIZE	133*97*50MM
QUANTITY	
VALUE ADDITION	
PRINTING EFFECT	CMYK

——— DIE CUT LINE
 - - - FOLD LINE
 - - - BLEED LINE

REMARKS:
 - Artwork should be submitted in AI, EPS, PDF, CDR, PSD.
 - For JPEG, PNG and PSD please submit your artwork with a minimum of 300dpi

Please see the text and graphic direction guideline below.

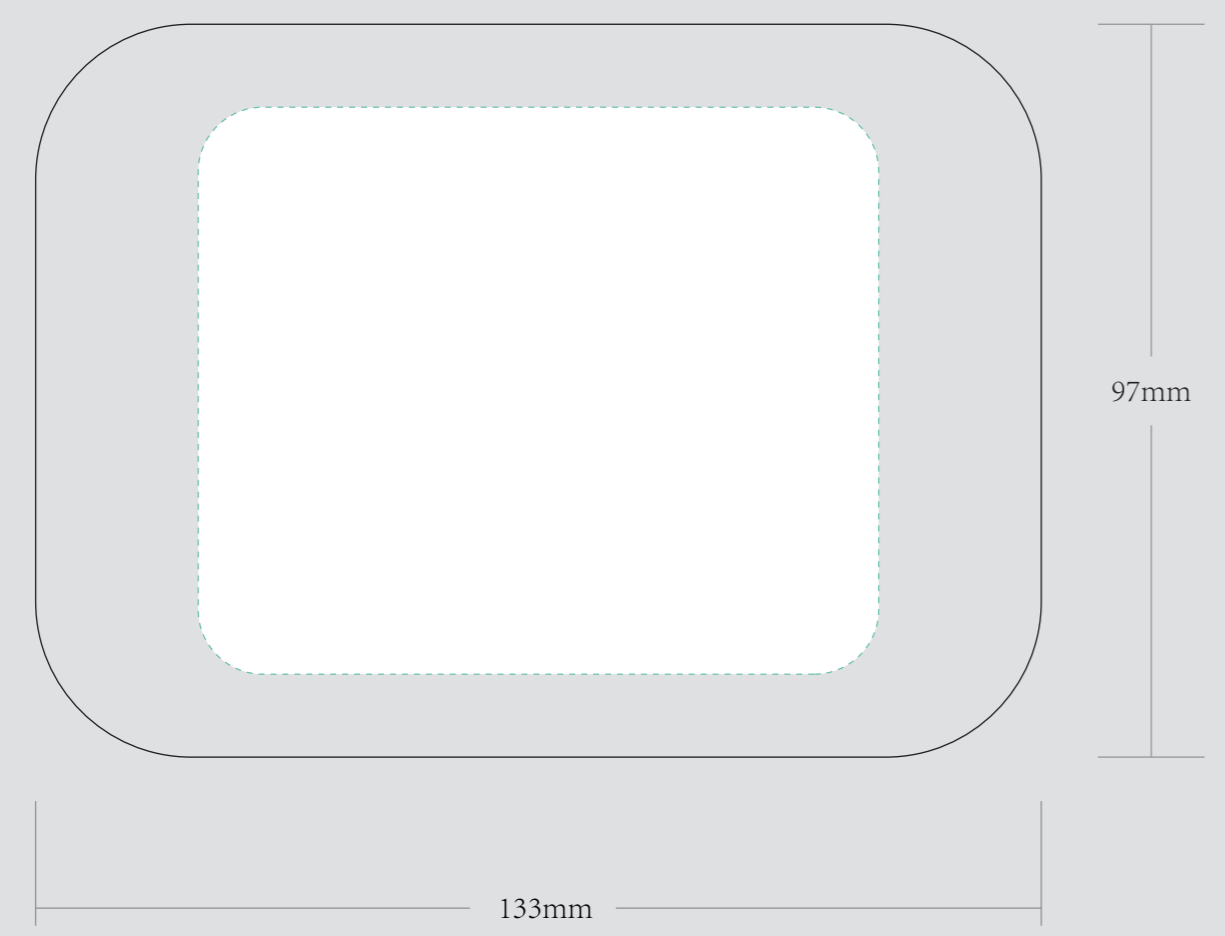
I accept the artwork and understand that any mistakes or omissions is my responsibility.

DATE:

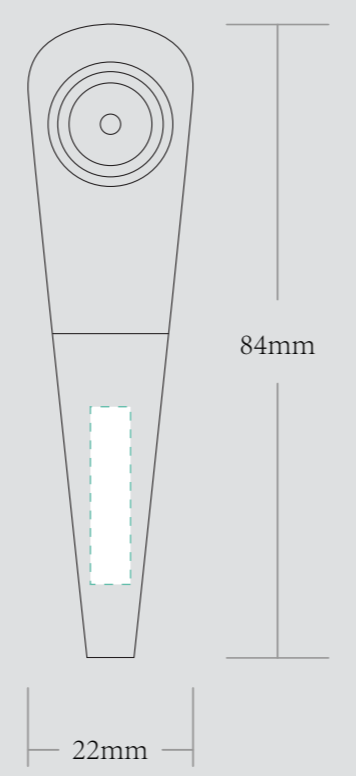
PRINT NAME:

APPROVAL SIGNATURE:

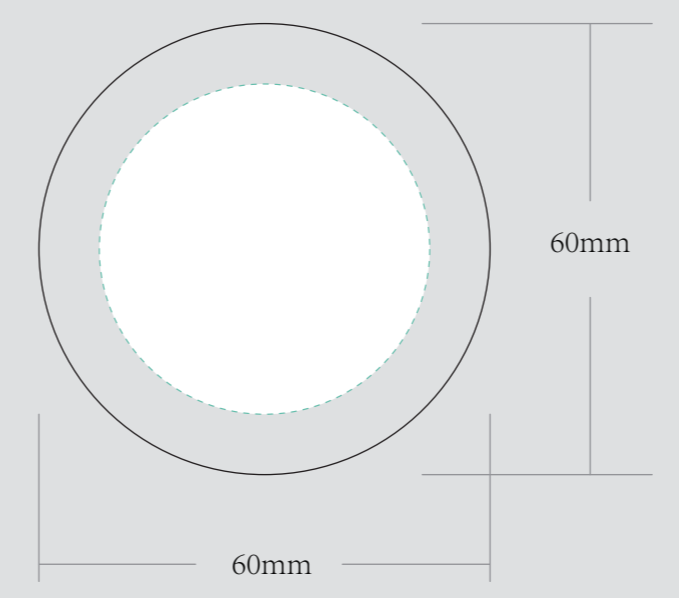
CASE



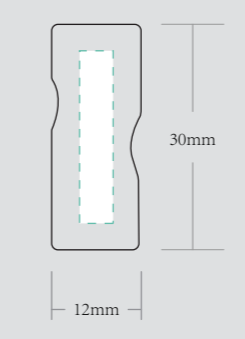
SMOKING PIPE



GRINDER



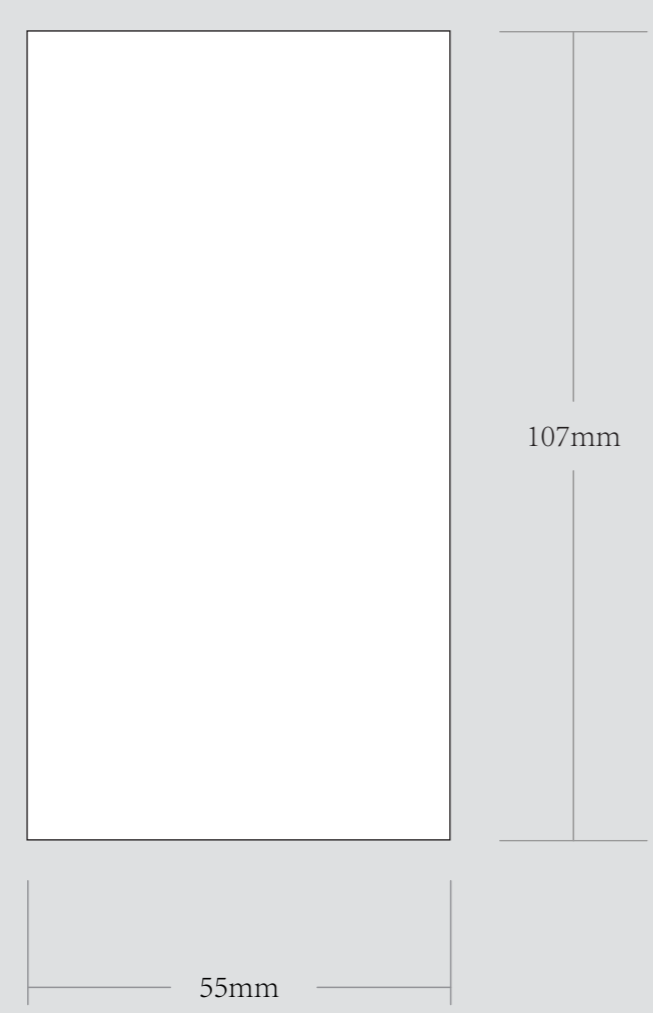
GLASS TIPS



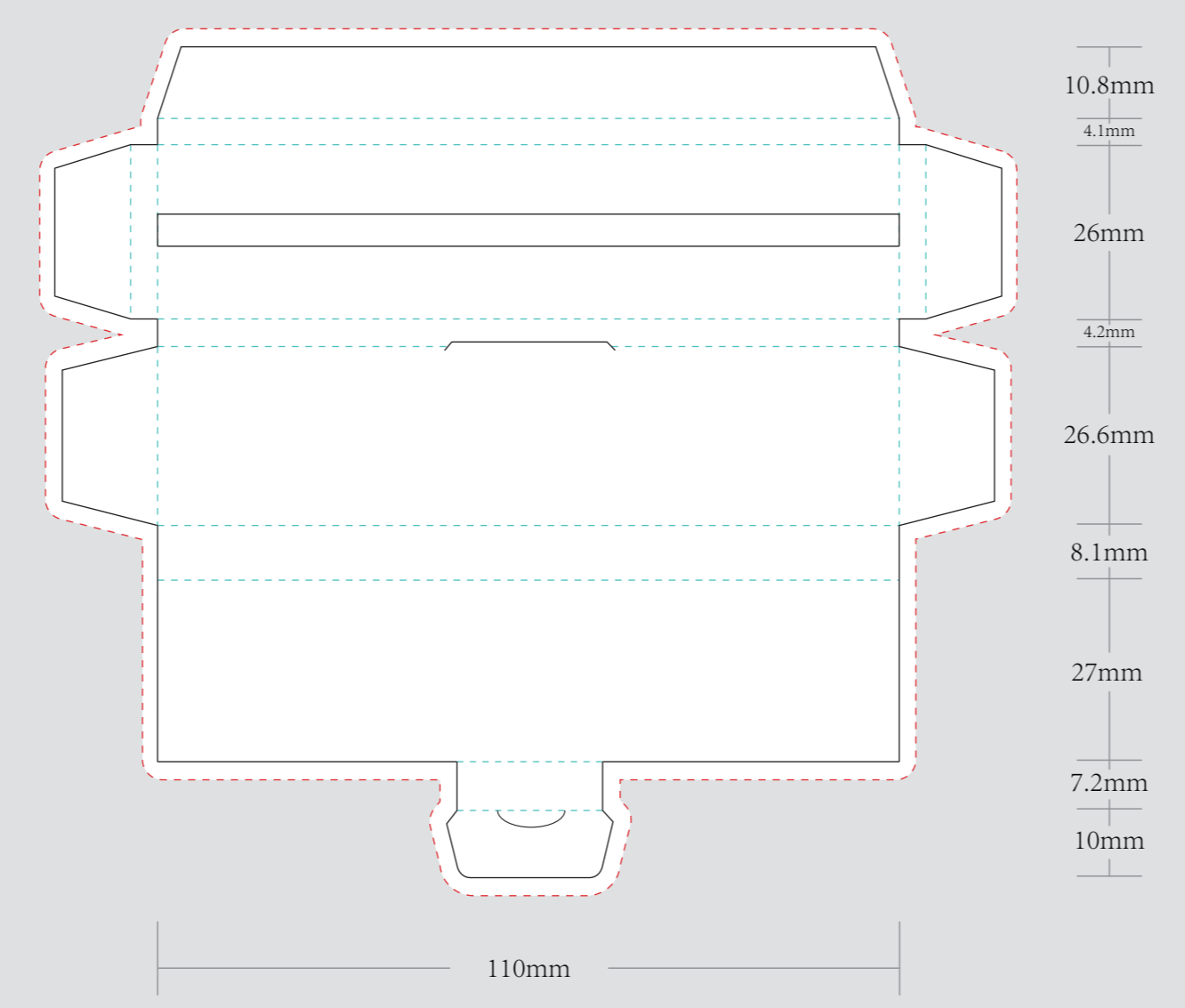
EXAMPLE



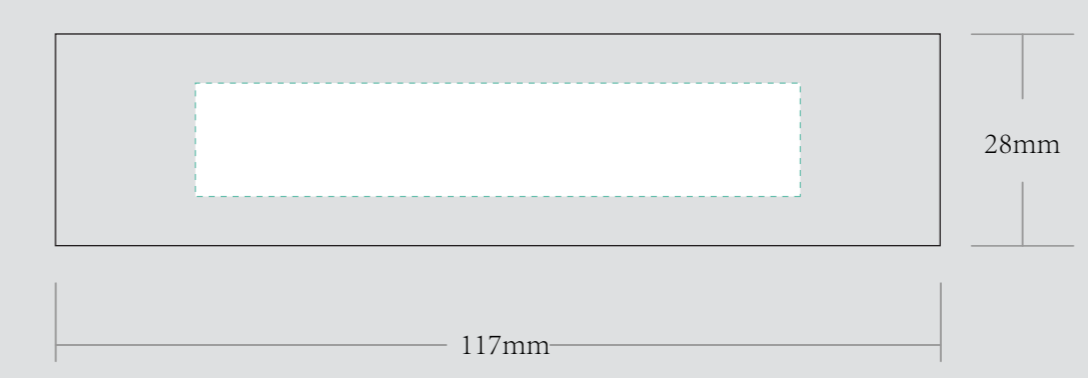
PLASTIC TUBES WITH CR



KING SLIM SIZE BOOKLET WITH TIPS



ROLLING MACHINE



PLEASE PUT THE DESIGN OR LOGO IN GREENLINE RECTANGLE