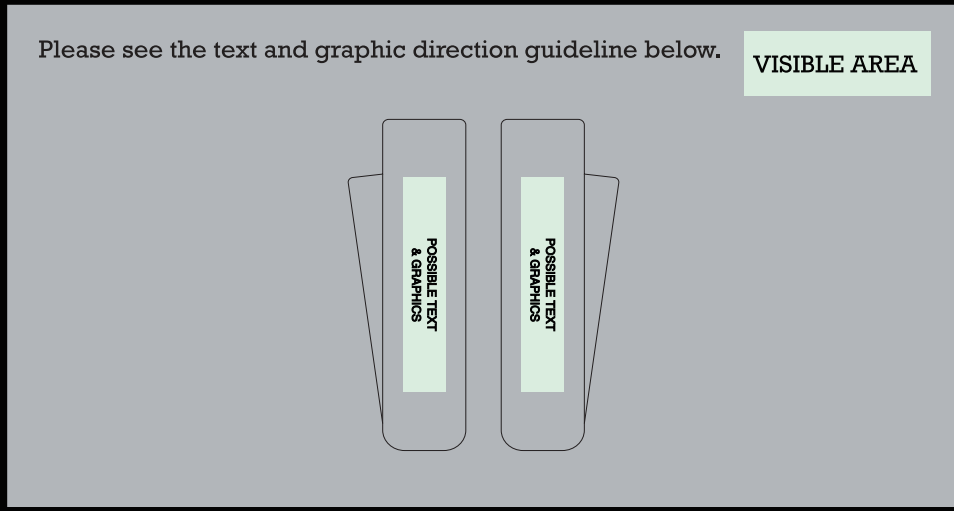


ORDER DETAILS	
MOCKUP NO.	WUFOO.
INQUIRY NO.	INQUIRY..V1
ORDER NO.	
PRODUCT DETAILS	
SIZE	62*22MM
QUANTITY	
COLOR	SLIVER
VALUE ADDITION	
PRINTING EFFECT	CMYK

————— DIE CUT LINE

REMARKS:
 - Artwork should be submitted in AI, EPS, PDF, CDR, PSD.
 - For JPEG, PNG and PSD please submit your artwork with a minimum of 300dpi



I accept the artwork and understand that any mistakes or omissions is my responsibility.

DATE:

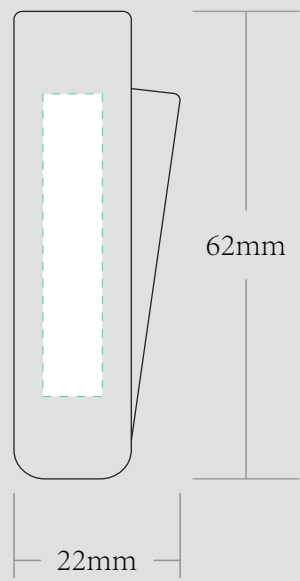
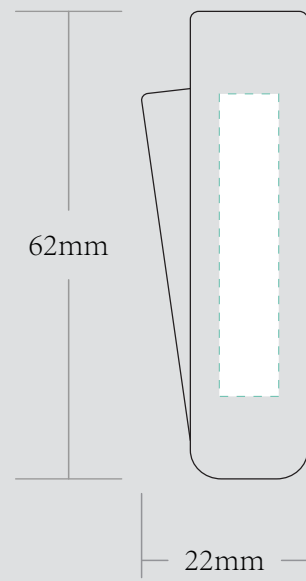
PRINT NAME:

APPROVAL SIGNATURE:

FRONT

BACK

EXAMPLE



Please put the logo in green line rectangle