

| ORDER DETAILS | |
|-----------------|-------------|
| MOCKUP NO. | WUFOO. |
| INQUIRY NO. | INQUIRY.V1 |
| ORDER NO. | |
| PRODUCT DETAILS | |
| SIZE | DIA.60*55MM |
| COLOR | GUN METAL |
| QUANTITY | |
| VALUE ADDITION | |
| PRINTING EFFECT | CMYK |

————— DIE CUT LINE

REMARKS:
 - Artwork should be submitted in AI, EPS, PDF, CDR, PSD.
 - For JPEG, PNG and PSD please submit your artwork with a minimum of 300dpi

Please see the text and graphic direction guideline below.

VISIBLE AREA

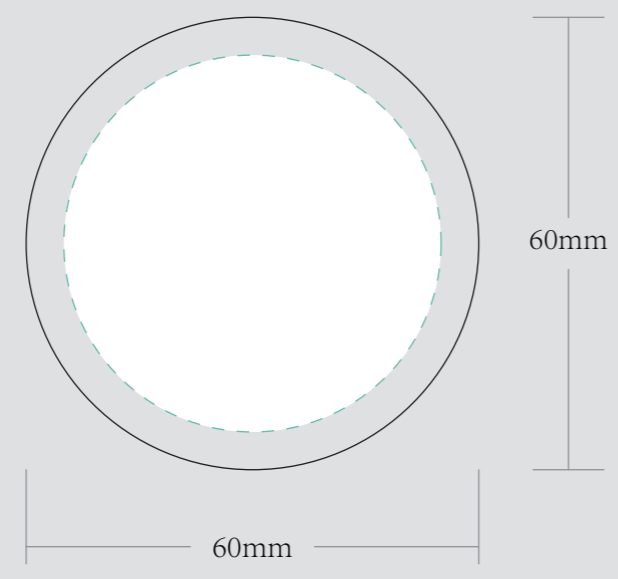
I accept the artwork and understand that any mistakes or omissions is my responsibility.

DATE:

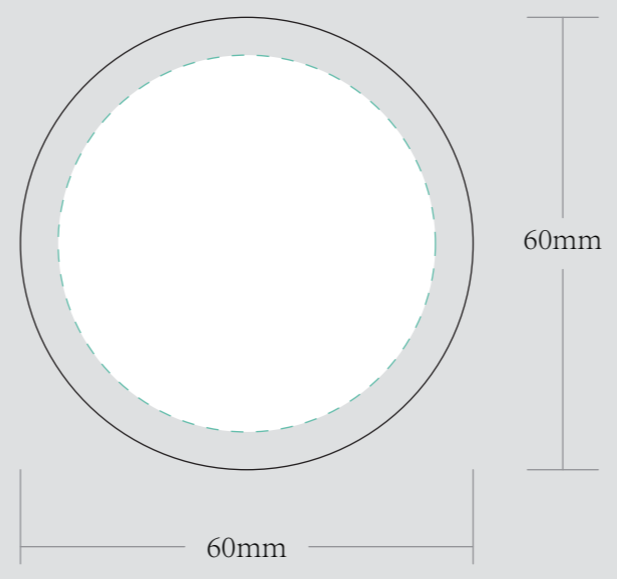
PRINT NAME:

APPROVAL SIGNATURE:

TOP



BOTTOM



EXAMPLE



Please put the design in green line rectangle
 设计做在绿色虚线内